

ABB BALDOR RELIANCE III

Customer information packet

JL1306A

.75HP, 3450RPM, 1PH, 60HZ, 56J, 3424L, OPEN, F1

Class - None

Division - Not Applicable

Specifications

Enclosure	OPEN
Frame	56J
Frame Material	Steel
Frequency	60.00 Hz
Haz Area Class and Group	None
Haz Area Division	Not Applicable
Motor Letter Type	Cap Start, Induction Run
Output @ Frequency	.750 HP @ 60 HZ
Phase	1
Synchronous Speed @ Frequency	3600 RPM @ 60 HZ
Voltage @ Frequency	115.0 V @ 60 HZ 230.0 V @ 60 HZ
Agency Approvals	UR CSA
Ambient Temperature	40 °C
Auxiliary Box	NO AUXILLARY BOX
Auxiliary Box Lead Termination	None
Base Indicator	No Mounting
Bearing Grease Type	Polyrex EM (-20F +300F)
Blower	None
Current @ Voltage	11.000 A @ 115.0 V 5.500 A @ 230.0 V
Design Code	N
Drip Cover	Drip Cover
Duty Rating	CONT
Efficiency @ 100% Load	69.0 %
Electrically Isolated Bearing	Not Electrically Isolated
Feedback Device	NO FEEDBACK
Front Face Code	Terminal Panel
Front Shaft Indicator	None
Heater Indicator	No Heater
High Voltage Full Load Amps	5.5 a

Part Detail

Revision	AM
Type	AC
Mech. spec.	34F036
Base	
Status	PRD/A
Elec. spec.	34WG2414
Layout	34LYF036
Eff. date	12-31-2024
CD Diagram	CD0307
Poles	02
Leads	5#18,1#14 #1TH
Proprietary	False
Created date	01-01-0001

Insulation Class	B
Inverter Code	Not Inverter
KVA Code	J
Lifting Lugs	No Lifting Lugs
Locked Bearing Indicator	Locked Bearing
Motor Lead Exit	Terminal Panel Or Lead Hole
Motor Lead Quantity/Wire Size	5 @ 18 AWG
Motor Lead Termination	Flying Leads
Motor Standards	NEMA
Motor Type	3424L
Mounting Arrangement	F1
Number of Poles	2
Overall Length	13.39 IN
Power Factor	68
Product Family	General Purpose
Pulley End Bearing Type	Ball
Pulley Face Code	C-Face
Pulley Shaft Indicator	Ext Thread
Rodent Screen	None
Service Factor	1.50
Shaft Diameter	0.625 IN
Shaft Extension Location	Pulley End
Shaft Ground Indicator	No Shaft Grounding
Shaft Rotation	Fixed Opposite Standard
Shaft Slinger Indicator	No Slinger
Speed	3450 rpm
Speed Code	Single Speed
Starting Method	Direct on line
Thermal Device - Bearing	None
Thermal Device - Winding	None
Vibration Sensor Indicator	No Vibration Sensor
Winding Thermal 1	Automatic Thermal Overload
Winding Thermal 1 Location	ES

Nameplate

NP1257L									
CAT.NO.	JL1306A								
SPEC.	34F36-2414								
HP	.75								
VOLTS	115/230								
AMP	11/5.5								
RPM	3450								
FRAME	56J		HZ	60		PH	1		
SER.F.	1.50	CODE	J	DES	N	CL	B		
NEMA-NOM-EFF	69	PF	68						
RATING	40C AMB-CONT								
CC									
DE	6203	ODE	6203						
ENCL	OPEN	SN							
	SFA 13/6.5								

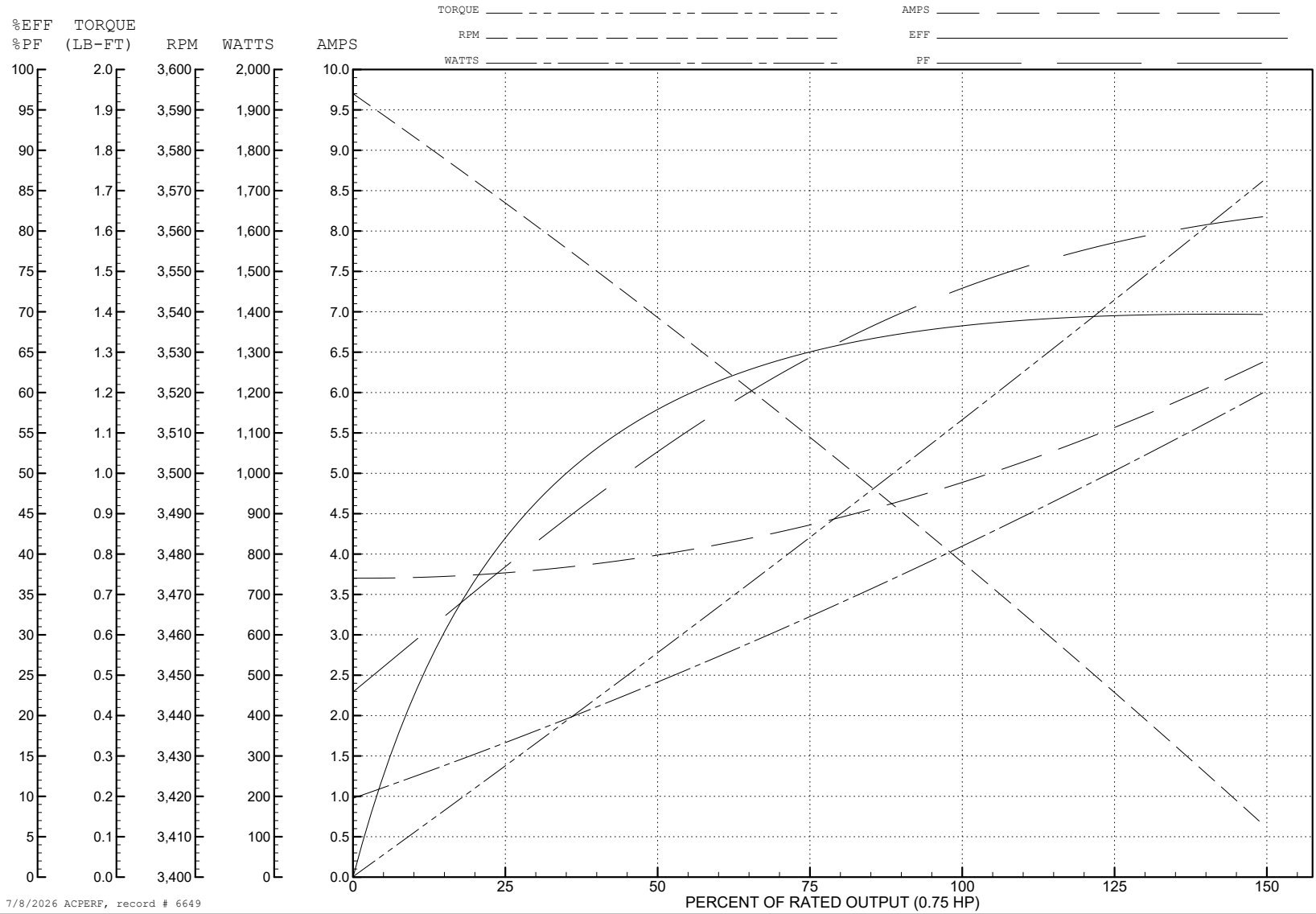
ABB Motors and Mechanical Inc.

WINDING # 34WG2414

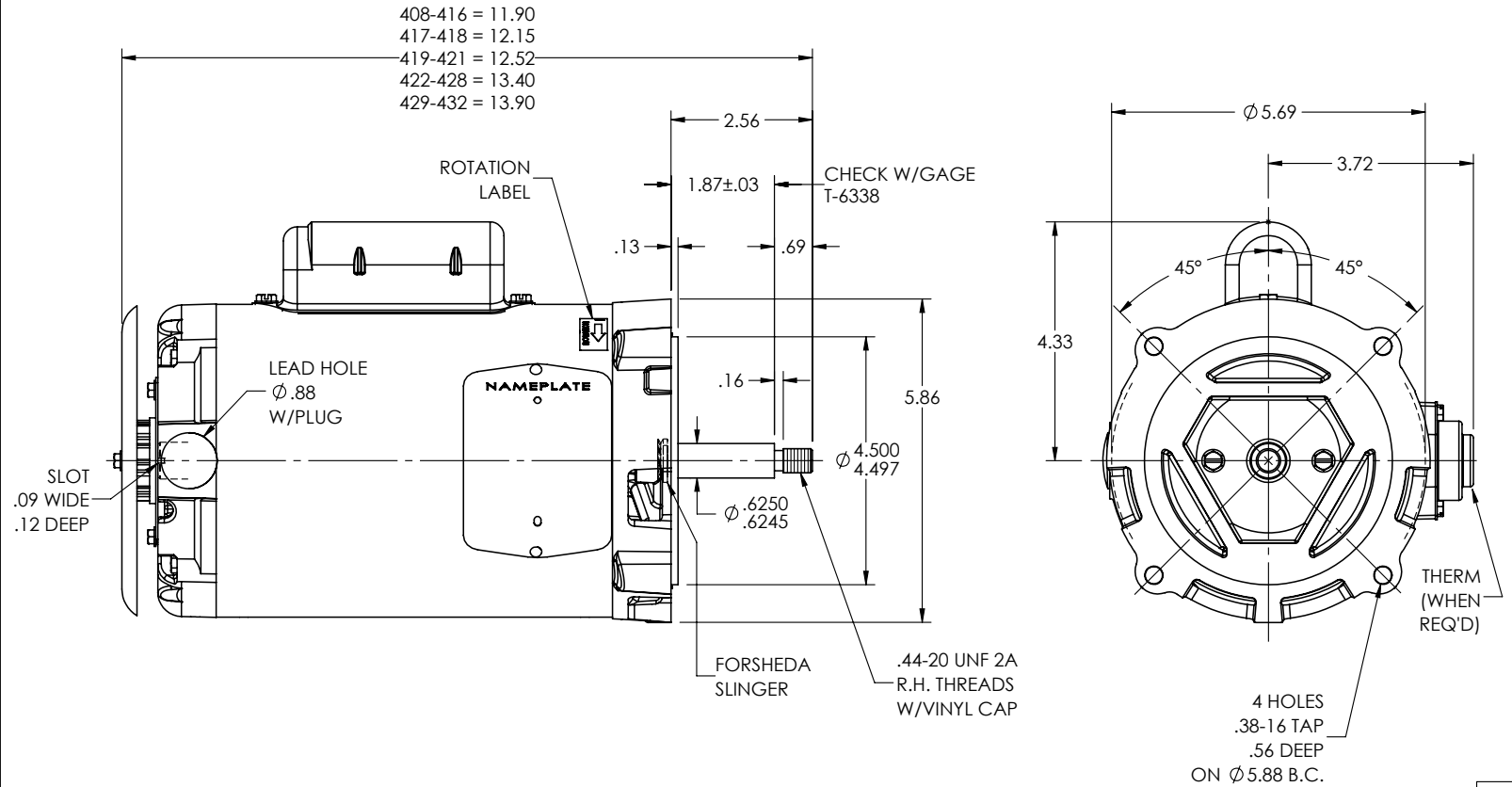
0.75 HP 1 PH 60 HZ 3450 RPM 230 V 3424L

Typical performance - not guaranteed values.

TORQUES (LB-FT): PO=3.98 PU=1.63 LR=2.45 LRA=31.2



34LYF036



CUSTOMER IS RESPONSIBLE FOR DETERMINING THAT THE PRODUCT WILL PERFORM SUITABLY IN THE INTENDED APPLICATION

REV. DESC: CLEAN UP DIMENSIONING			
REV: L	VERSION: 04	REVISED: 03:37:02 08/29/2025	TDR: 000001262510
34LYF036	MODEL NO. 34LYF036	REF: -	
	BY: ENJEFD0		

BALDOR - RELIANCE®

STD VERT 34L NEMA 56J OPEN W/DRIP COVER & TERM PLATE

34LYF036

