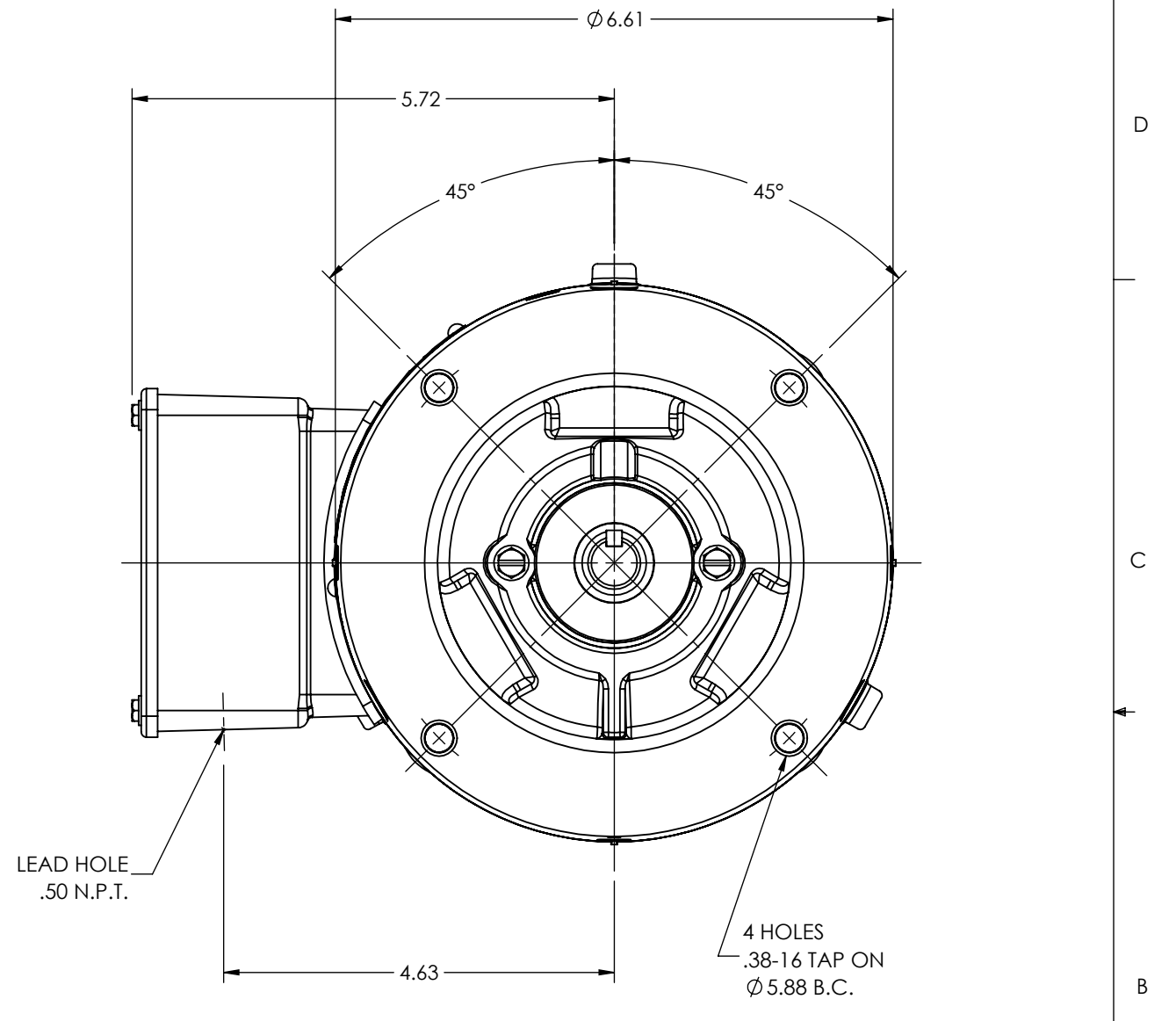
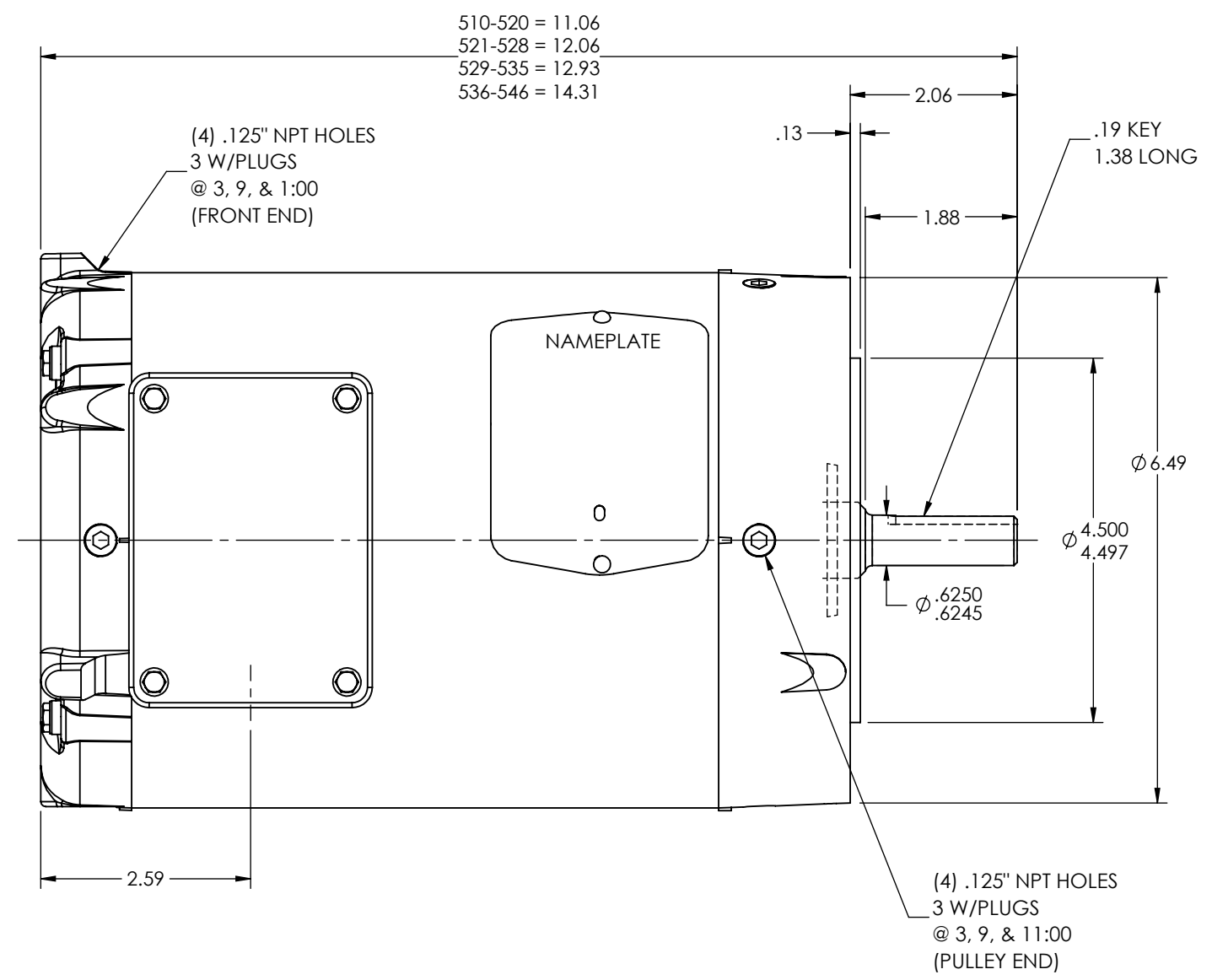


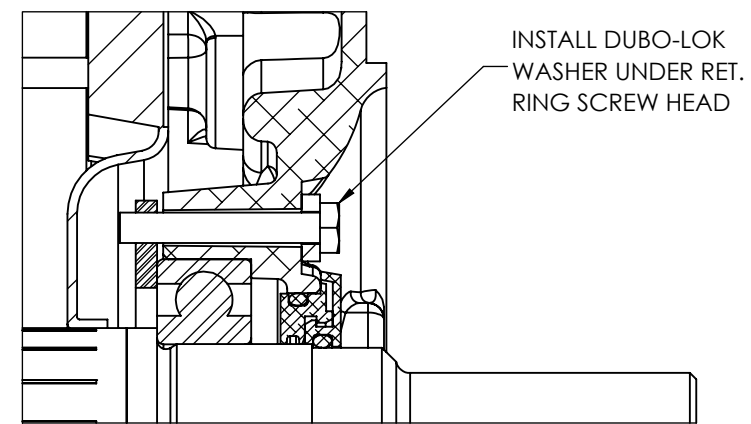
8 7 6 5 4 3 2 1

35LYS639

D
C
B
A



D
C
B
A



PULLEY END DETAIL

CUSTOMER IS RESPONSIBLE FOR DETERMINING THAT THE PRODUCT WILL PERFORM SUITABLY IN THE INTENDED APPLICATION

REV. DESC: LOADING OF SWD DWG FOR 2D TO 3D CONVERSION - PKG12			
REV: D	VERSION: 04	REVISED: 04:56:36 12/11/2018	TDR: 000001093440
MODEL NO. 35LYS639			REF: -
BY: ENALEM0			B

BALDOR - RELIANCE®
VERT 56C TENV 35M WD2 (PAINT FREE) INV DUTY W/RAISED LTR NP
SH 1 of 1

35LYS639

8 7 6 5 4 3 2 1