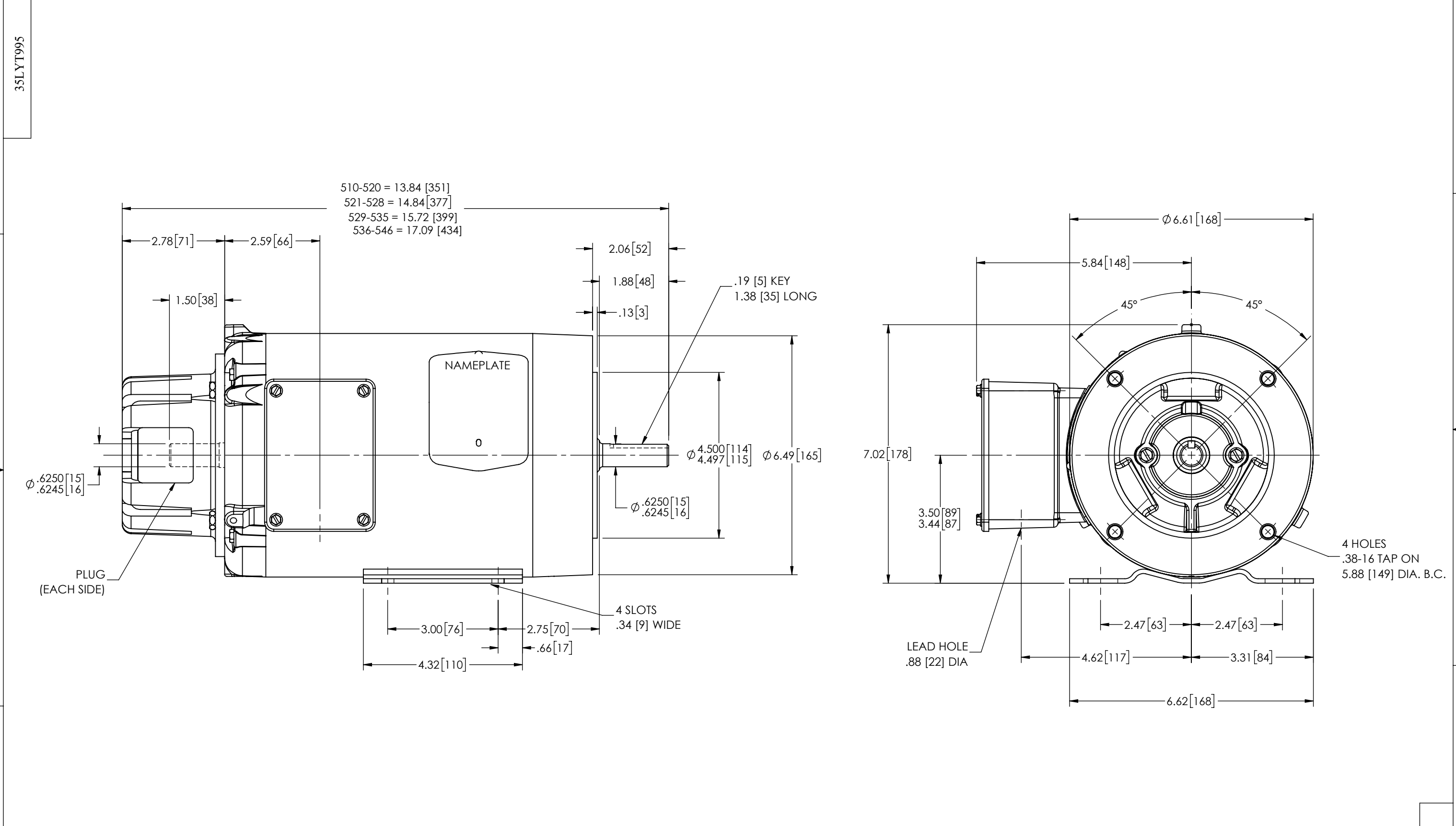


8 7 6 5 4 3 2 1



CUSTOMER IS RESPONSIBLE FOR DETERMINING THAT BALDOR'S PRODUCT WILL PERFORM SUITABLY IN THE INTENDED APPLICATION.

REV. DESC: ADD METRIC DIMS, UPDATE INA COMPONENTS			
REV: H	VERSION: 08	REVISED: 01:46:04 07/19/2021	TDR: 000001171913
MODEL NO: 35LYT995			REF: -
BY: USSEFIN	Material: -	B	

BALDOR - RELIANCE®

HORZ 56C TENV 35M INVERTER (THRU-SH ENC W/ COVER)
SH 1 of 1

35LYT995

8 7 6 5 4 3 2 1