

ABB BALDOR RELIANCE III

Customer information packet

IDVSNM3538-5

.5HP, 1770RPM, 3PH, 60HZ, 56C, 3512M, TENV, F1

Class - None

Division - Not Applicable

Specifications

Enclosure	TENV
Frame	56C
Frame Material	Steel
Frequency	60.00 Hz
Haz Area Class and Group	None
Haz Area Division	Not Applicable
Motor Letter Type	Three Phase
Output @ Frequency	.500 HP @ 60 HZ
Phase	3
Synchronous Speed @ Frequency	1800 RPM @ 60 HZ
Voltage @ Frequency	575.0 V @ 60 HZ
Agency Approvals	CSA UR
Ambient Temperature	40 °C
Auxiliary Box	NO AUXILLARY BOX
Auxiliary Box Lead Termination	None
Base Indicator	Rigid
Bearing Grease Type	Polyrex EM (-20F +300F)
Blower	None
Current @ Voltage	.770 A @ 575.0 V
Design Code	B
Drip Cover	No Drip Cover
Duty Rating	CONT
Efficiency @ 100% Load	80.0 %
Electrically Isolated Bearing	Not Electrically Isolated
Feedback Device	NO FEEDBACK
Front Shaft Indicator	None
Heater Indicator	No Heater
High Voltage Full Load Amps	0.8 a
Insulation Class	F
Inverter Code	Not Inverter
KVA Code	M

Part Detail

Revision	C
Type	AC
Mech. spec.	35T995
Base	
Status	PRD/A
Elec. spec.	35WGG200
Layout	35LYT995
Eff. date	09-30-2025
CD Diagram	CD0006
Poles	04
Leads	3#18
Proprietary	False
Created date	03-11-2022

Lifting Lugs	No Lifting Lugs
Locked Bearing Indicator	Locked Bearing
Max Speed	2700 rpm
Motor Lead Quantity/Wire Size	3 @ 18 AWG
Motor Lead Termination	Flying Leads
Motor Standards	NEMA
Motor Type	3512M
Mounting Arrangement	F1
Number of Poles	4
Overall Length	13.84 IN
Power Factor	62
Product Family	General Purpose
Pulley End Bearing Type	Ball
Pulley Face Code	C-Face
Pulley Shaft Indicator	Standard
Rodent Screen	None
Service Factor	1.00
Shaft Diameter	0.625 IN
Shaft Ground Indicator	No Shaft Grounding
Shaft Rotation	Reversible
Shaft Slinger Indicator	No Slinger
Speed	1770 rpm
Speed Code	Single Speed
Starting Method	Direct on line
Thermal Device - Bearing	None
Thermal Device - Winding	Normally Closed Thermostat
Vibration Sensor Indicator	No Vibration Sensor
Winding Thermal 1	None
Winding Thermal 2	None

Nameplate

NP3301L			
CAT NO	IDVSNM3538-5		
SPEC.	35T995G200G1		
FRAME	56C	HP	.5 TE
VOLTS	575		
MAG CUR	0.64	FLA	0.77
RPM	1770	RPM MAX	2700
HZ	60	PH	3 CLASS F
SER.F.	1.00	SL HZ	0.97
NEMA-NOM-EFF	80	WK2	0.0866
RATING	40C AMB-CONT		
DE BRG	6205	ODE BRG	6203
CC	SN		
	1.5:1 CHP PWM		
	1000:1 CT/VT		

HP 0.5
BASE SPEED 1771
PHASE/HZ 3/60

Base Volt 575
NL AMPS 0.64
Slip (HZ) 0.97
WK² (lb-ft²) 0.087

R1 35.900 X1 31.700
R2 9.020 X2 18.400
XM 594.000

Rated Full Load Data

	RPM	HP	Torque	Volts	Freq-Hz	Amps
Base Speed	1771	0.5	1.5	575	60	0.8
Max Speed	2657	0.5	1.0	575	90	0.6
CT Min Speed	1.771	0.001	1.5	0.58	0.06	0.8

Load Performance at Base Speed

	RPM	HP	Torque	Volts	Freq-Hz	Amps
No Load	1798	0.0	0.0	575	60	0.6
1/4	1792	0.1	0.4	575	60	0.6
1/2	1786	0.3	0.7	575	60	0.7
3/4	1779	0.4	1.1	575	60	0.7
Full Load	1771	0.5	1.5	575	60	0.8
O/L	1740	1.0	3.0	575	60	1.2

Blower Data

Volts	Ph/Hz	FL Amps	LR Amps	Frame	CFM

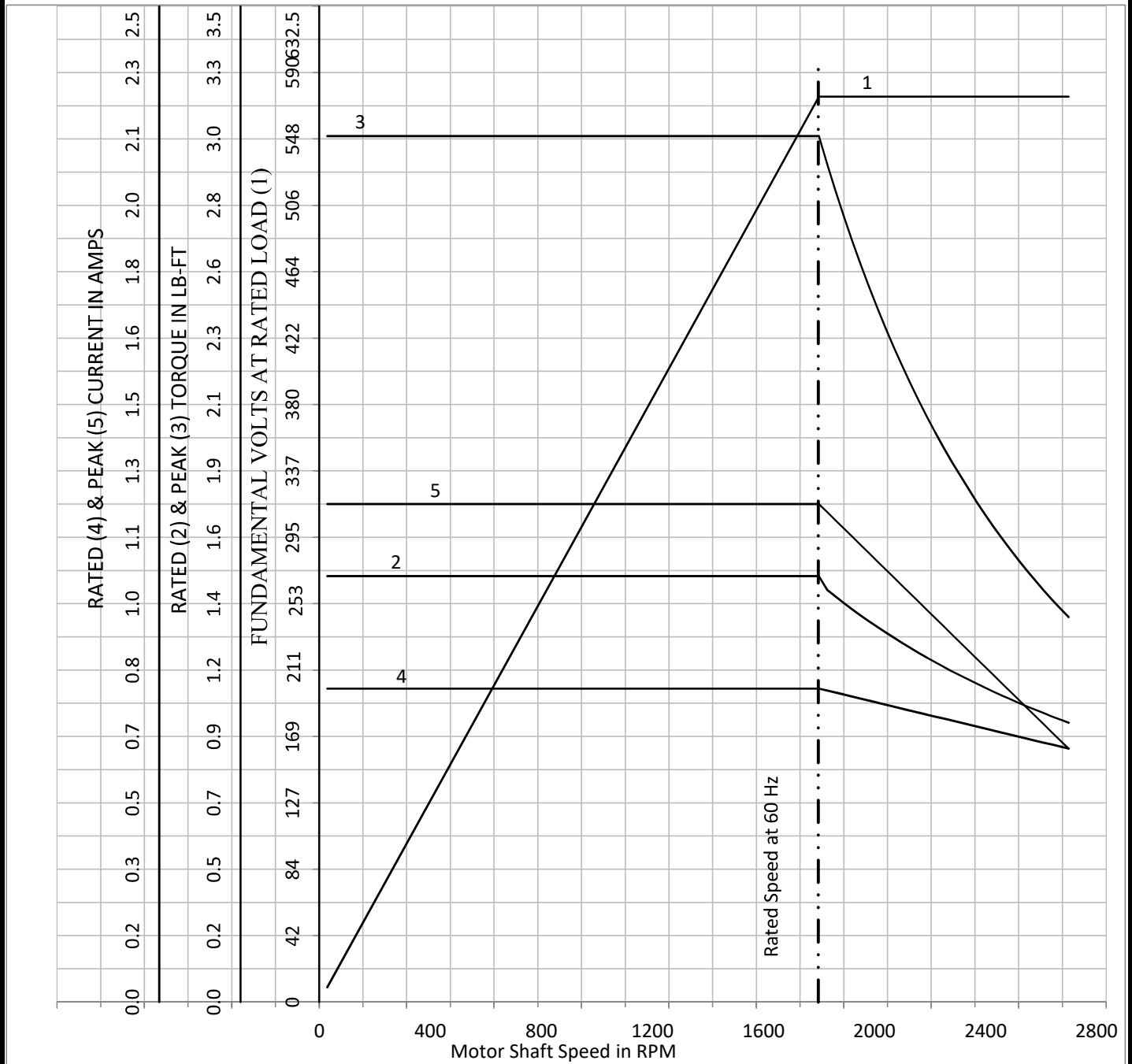
Remarks: Calculated Data

IDVSNM3538-5 - .5HP, 1770RPM,
Base Volt 575
NL AMPS 0.64
Slip (HZ) 0.97
WK² (lb-ft²) 0.087

WYE CONN EQ CKT OHMS PER PHASE (BASE RATING, 20C)
3PH, 60HZ, 56C, 3512M, TENV, F1
R1 35.900 X1 31.700
R2 9.020 X2 18.400
XM 594.000

HP 0.5
BASE SPEED 1771
PHASE/HZ 3/60

Variable Speed AC Motor Curves



Calculated Data

Data Valid For Nameplate Speed Range only



DR BY USBRRANI
CK BY CD
APP BY USBRRANI
DATE 12/8/2023

**A-C MOTOR
PERFORMANCE
CURVES**

35WGG200

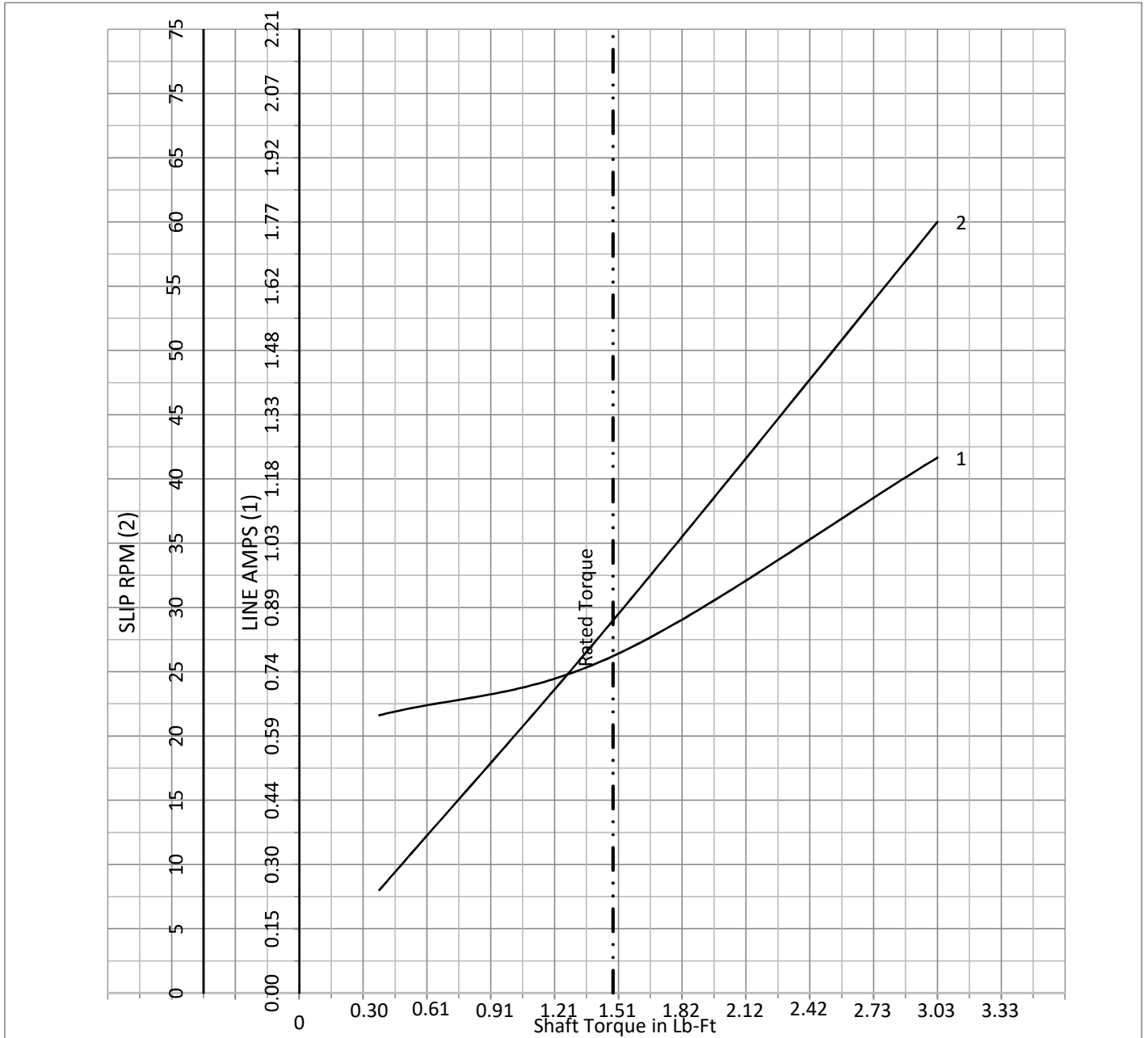
Record: 82258

IDV	SNM3538-5	0
Base Volt	575	0
NL AMPS	0.64	
Slip (HZ)	0.97	
WK2 (lb-ft ²)	0.087	

WYE CONN EQ CKT OHMS PER PHASE (BASE RATING, 20C)			
R1	35.900	X1	31.700
R2	9.020	X2	18.400
		XM	594.000

HP	0.5
BASE SPEED	1771
PHASE/HZ	3/60

Vector PWM Inverter Duty
Variable Speed AC Motor Curves



Calculated Data

Data Valid For Nameplate Speed Range only

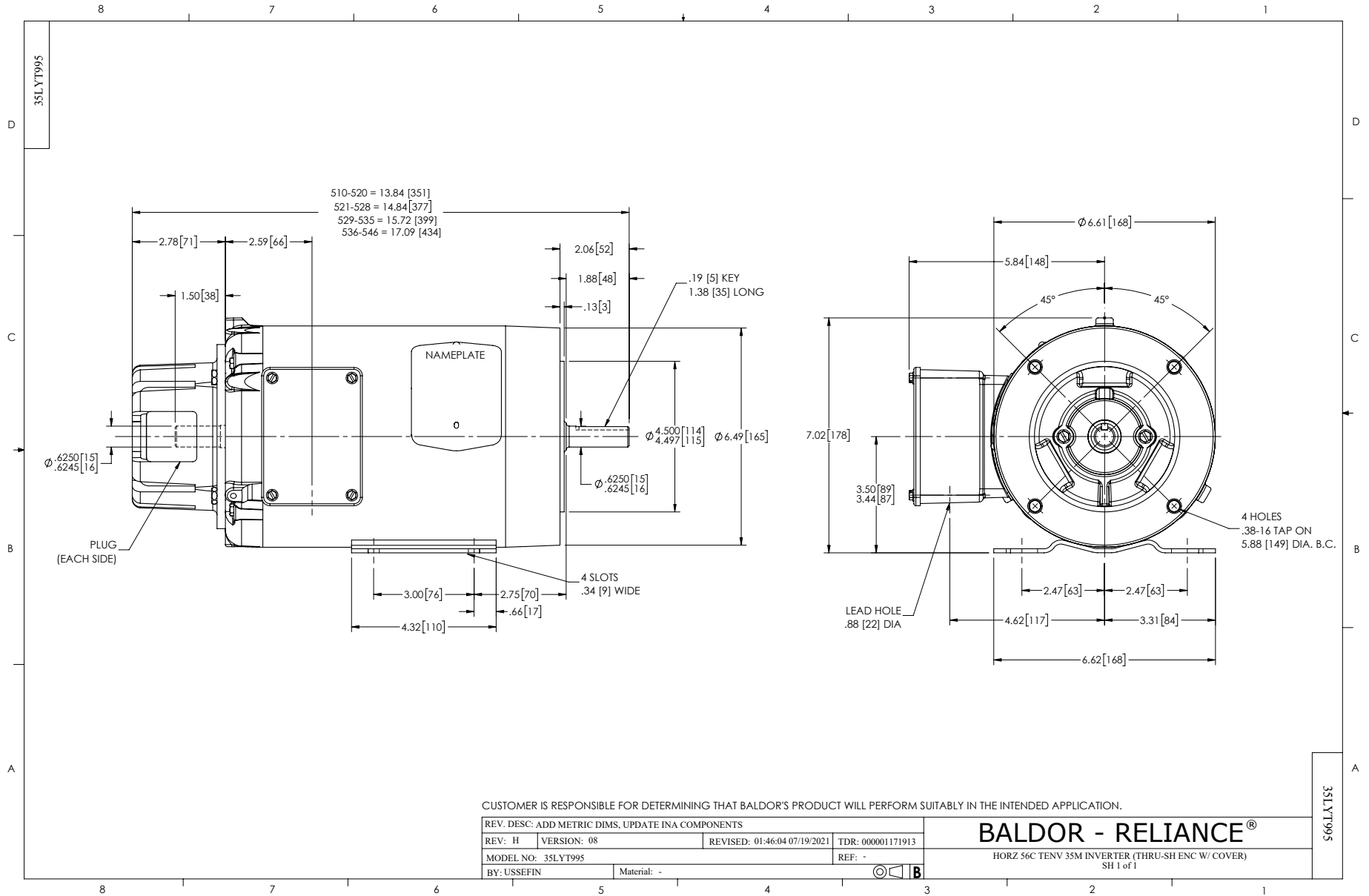


DR BY USBRRANI
 CK BY CD
 APP BY USBRRANI
 DATE 12/8/2023

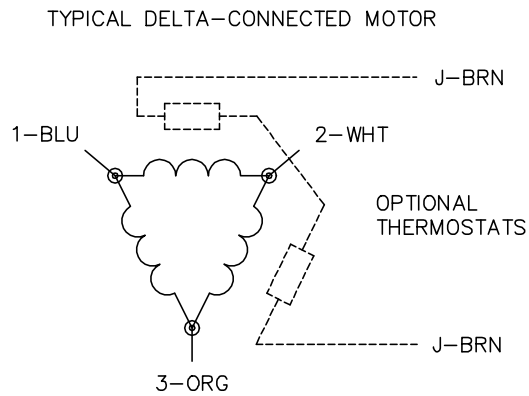
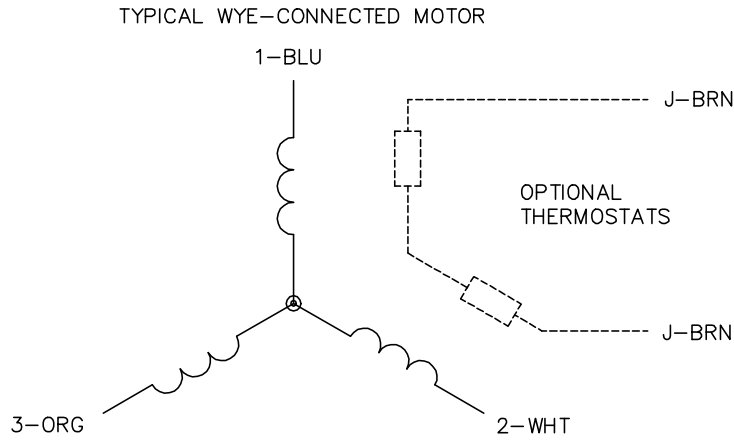
**A-C MOTOR
PERFORMANCE
CURVES**

35WGG200

Record: 82258



CD0006



NOTES:

1. THREE LEAD MOTOR MAY BE EITHER WYE CONNECTED OR DELTA CONNECTED.
2. INTERCHANGE ANY TWO LINE LEADS TO REVERSE ROTATION.
3. OPTIONAL THERMOSTATS ARE PROVIDED WHEN SPECIFIED.
4. ACTUAL NUMBER OF INTERNAL PARALLEL CIRCUITS MAY VARY.
5. LEAD COLORS ARE OPTIONAL. LEADS MUST BE NUMBERED AS SHOWN.

CD0006

REV. DESC: ADD CLASS CONN00000007		
REV. LTR: E	VERSION: 01	TDR: 000001099922
FILE: \AAA\00005\141	REVISED: 10:24:49 02/19/2019	BY: ENBRIRO
MTL: -		© □

BALDOR - RELIANCE®

3PH, SV, 3 LEADS, WYE OR DELTA CONNECTED

SH 1 of 1