



---

# Customer information packet

## IDVSNM2333T-5

15HP, 1770RPM, 3PH, 60HZ, 256TC, 0948M, TENV, F

Class - None

Division - Not Applicable

## Specifications

Enclosure	TENV
Frame	256TC
Frame Material	Iron
Frequency	60.00 Hz
Haz Area Class and Group	None
Haz Area Division	Not Applicable
Motor Letter Type	Three Phase
Output @ Frequency	15.000 HP @ 60 HZ
Phase	3
Synchronous Speed @ Frequency	1800 RPM @ 60 HZ
Voltage @ Frequency	575.0 V @ 60 HZ
Agency Approvals	CSA UR
Ambient Temperature	40 °C
Auxillary Box	No Auxillary Box
Auxillary Box Lead Termination	None
Base Indicator	Rigid
Bearing Grease Type	Polyrex EM (-20F +300F)
Blower	None
Current @ Voltage	14.800 A @ 575.0 V
Design Code	A
Drip Cover	No Drip Cover
Duty Rating	CONT
Efficiency @ 100% Load	92.4 %
Electrically Isolated Bearing	Not Electrically Isolated
Feedback Device	NO FEEDBACK
Front Shaft Indicator	None
Heater Indicator	No Heater
High Voltage Full Load Amps	14.8 a
Insulation Class	F
Inverter Code	Inverter Duty
KVA Code	K

## Part detail

Revision	D
Type	AC
Mech. spec.	09F278
Base	
Status	PRD/A
Elec. spec.	09WGT565
Layout	09LYF278
Eff. date	11-14-2023
CD Diagram	CD0006
Poles	04
Leads	3#12
Proprietary	False
Created date	11-10-2020

Lifting Lugs	Standard Lifting Lugs
Locked Bearing Indicator	Locked Bearing
Max Speed	2700 rpm
Motor Lead Quantity/Wire Size	3 @ 12 AWG
Motor Lead Termination	Flying Leads
Motor Standards	NEMA
Motor Type	0948M
Mounting Arrangement	F1
Number of Poles	4
Overall Length	24.11 IN
Power Factor	80
Product Family	General Purpose
Pulley End Bearing Type	Ball
Pulley Face Code	C-Face
Pulley Shaft Indicator	Standard
Rodent Screen	None
Service Factor	1.00
Shaft Diameter	1.625 IN
Shaft Ground Indicator	No Shaft Grounding
Shaft Rotation	Reversible
Shaft Slinger Indicator	Shaft Slinger
Speed	1770 rpm
Speed Code	Single Speed
Starting Method	Direct on line
Thermal Device - Bearing	None
Thermal Device - Winding	Normally Closed Thermostat
Vibration Sensor Indicator	No Vibration Sensor
Winding Thermal 1	None
Winding Thermal 2	None

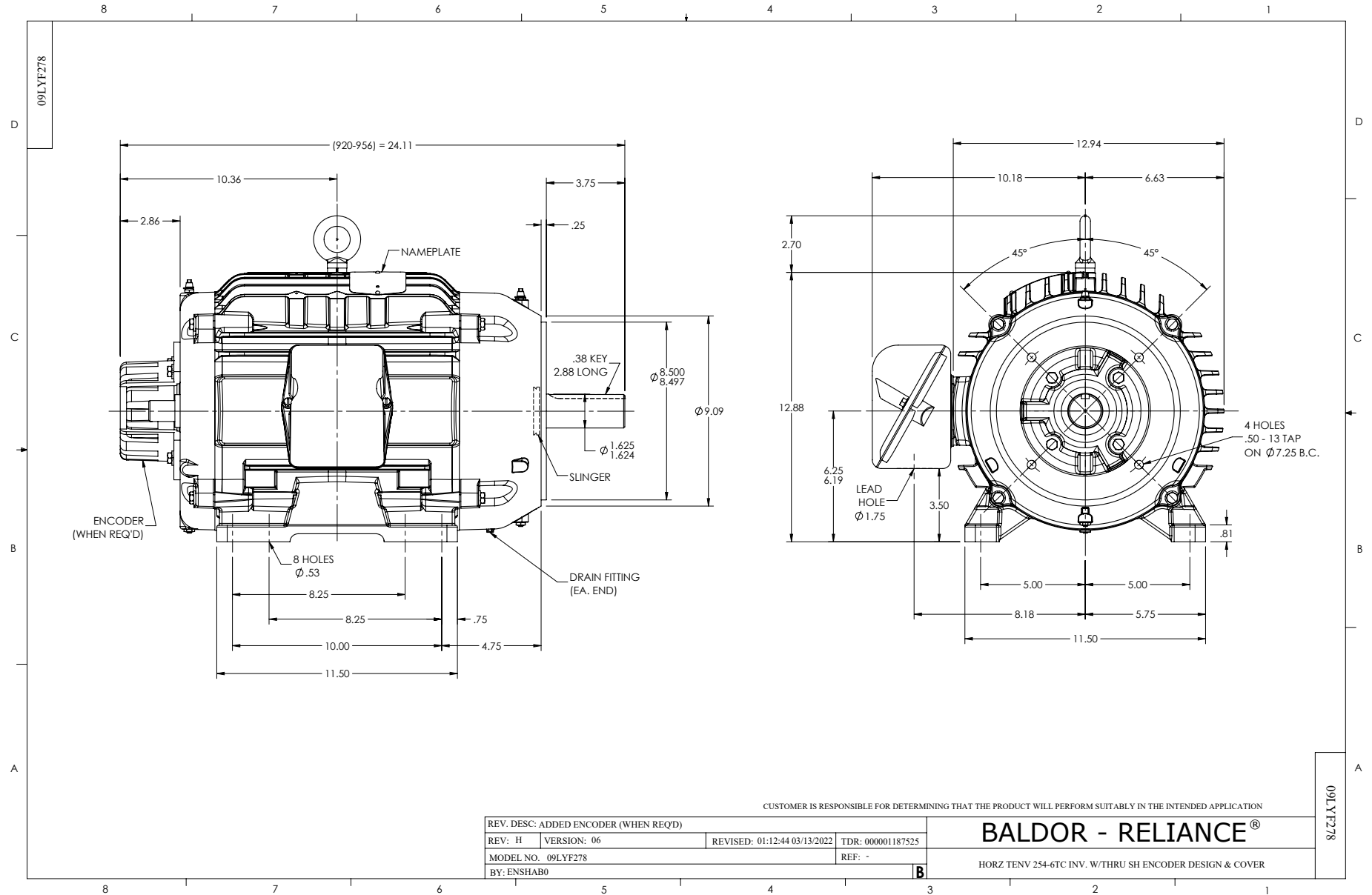
**Nameplate**

<b>NP3302L</b>			
<b>CAT NO</b>	IDVSNM2333T-5		
<b>SPEC.</b>	09F278T565G1		
<b>FRAME</b>	256TC	<b>HP</b>	15 TE
<b>VOLTS</b>	575		
<b>MAG CUR</b>	6.9	<b>FLA</b>	14.8
<b>RPM</b>	1770	<b>RPM MAX</b>	2700
<b>HZ</b>	60	<b>PH</b>	3 <b>CLASS</b> F
<b>SER.F.</b>	1.00	<b>SL HZ</b>	1
<b>NEMA-NOM-EFF</b>	92.4	<b>WK2</b>	2.1
<b>RATING</b>	40C AMB-CONT		
<b>DE BRG</b>	6309	<b>ODE BRG</b>	6208
<b>CC</b>	010A <b>SN</b>		
	1.5:1 CHP PWM		



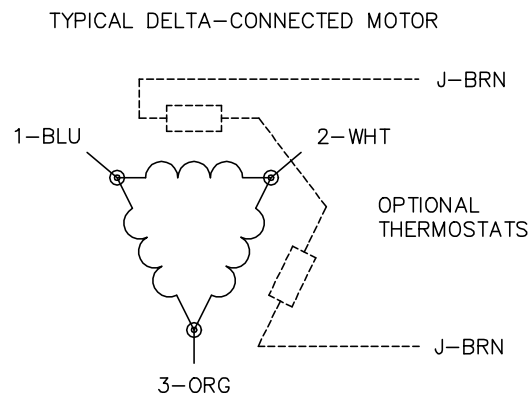
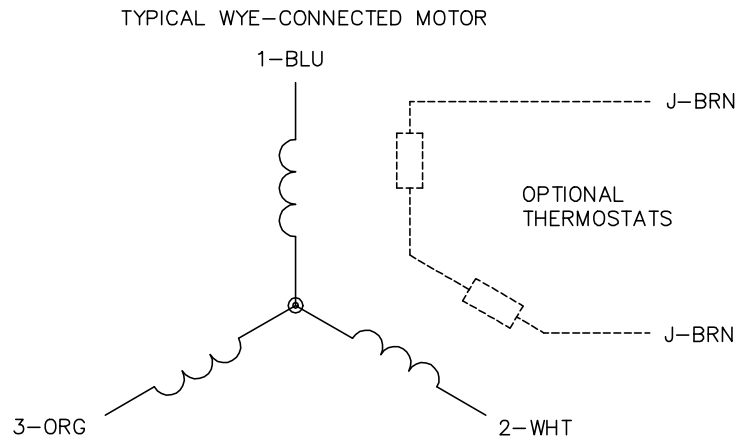








CD0006



NOTES:

1. THREE LEAD MOTOR MAY BE EITHER WYE CONNECTED OR DELTA CONNECTED.
2. INTERCHANGE ANY TWO LINE LEADS TO REVERSE ROTATION.
3. OPTIONAL THERMOSTATS ARE PROVIDED WHEN SPECIFIED.
4. ACTUAL NUMBER OF INTERNAL PARALLEL CIRCUITS MAY VARY.
5. LEAD COLORS ARE OPTIONAL. LEADS MUST BE NUMBERED AS SHOWN.

CD0006

REV. DESC: ADD CLASS CONN00000007		
REV. LTR: E	VERSION: 01	TDR: 000001099922
FILE: \AAA\00005\141	REVISED: 10:24:49 02/19/2019	BY: ENBRIRO
MTL: -	© □	

**BALDOR - RELIANCE®**

3PH, SV, 3 LEADS, WYE OR DELTA CONNECTED

SH 1 of 1