

ABB BALDOR RELIANCE III

Customer information packet

IDVSM44304T-4

300HP, 1790-2685RPM, 3PH, 60-90HZ, 449T, A441

Class - None

Division - Not Applicable

Specifications

Enclosure	TEFC
Frame	449T
Frame Material	Iron
Frequency	60.00 Hz 90.00 Hz
Haz Area Class and Group	None
Haz Area Division	Not Applicable
Motor Letter Type	Three Phase
Output @ Frequency	300.000 HP @ 90 HZ 300.000 HP @ 60 HZ
Phase	3
Synchronous Speed @ Frequency	1800 RPM @ 60 HZ
Voltage @ Frequency	460.0 V @ 60 HZ 460.0 V @ 90 HZ
Agency Approvals	CCSA US
Ambient Temperature	40 °C
Auxiliary Box	NO AUXILLARY BOX
Base Indicator	Rigid
Bearing Grease Type	Polyrex EM (-20F +300F)
Constant Torque Speed Range	1000:1
Current @ Voltage	322.000 A @ 460.0 V 338.000 A @ 460.0 V
Design Code	A
Drip Cover	No Drip Cover
Duty Rating	CONT
Efficiency @ 100% Load	96.2 %
Feedback Device	NO FEEDBACK
Heater Indicator	No Heater
High Voltage Full Load Amps	322.0 a
Insulation Class	F
Inverter Code	Inverter Duty
KVA Code	M

Part Detail

Revision	N
Type	AC
Mech. spec.	
Base	
Status	PRD/A
Elec. spec.	A44WG0622
Layout	617427-190
Eff. date	11-24-2025
CD Diagram	416820-036
Poles	04
Leads	3#1 (04 per group)
Proprietary	False
Created date	08-24-2012

Lifting Lugs	Standard Lifting Lugs
Max Speed	3600 rpm
Motor Lead Quantity/Wire Size	12 @ 1 AWG
Motor Standards	NEMA
Motor Type	A44160M
Mounting Arrangement	F1
Number of Poles	4
Overall Length	53.24 IN
Power Factor	86
Pulley End Bearing Type	Ball
Pulley Face Code	Standard
Service Factor	1.00
Shaft Ground Indicator	No Shaft Grounding
Shaft Rotation	Reversible
Shaft Slinger Indicator	No Slinger
Speed	1790 rpm 2685 rpm
Speed Code	Single Speed
Starting Method	Direct on line
Thermal Device - Bearing	None
Thermal Device - Winding	None

Nameplate

000613007HV										
CAT NO	IDVSM44304T-4		SPEC NO.	P44G4012						
SER.NO.			FRAME	449T						
	HP	RPM	VOLTS	AMPS	HZ	TYPE	P			
BASE	300	1790	460	338	60	SF	1.00			
MAX	300	2685	460	322	90	INSUL.CLASS		F		
DRIVE END BEARING	90BC03J30X		CONSTANT TORQUE		DUTY	CONT	AMB	40		
OPP D.E. BEARING	6318C3VL0241		1000:1	ENCL	TEFC	PHASE	3			
DESIGN NO.	A44WG0622-R002		FLUX AMPS		116		VPWM INVERTER READY			
MAX SPEED/RPM	3600		OVERTEMP PROT	2		WK2	105	POLES	4	WEIGHT

REL S.O.	-	VOLTS	460	ENCLOSURE	TEFC	WYE CONN EQ CKT OHMS PER PHASE			
FRAME	449T	AMPS	338	MAX SAFE RPM	3600	(AT BASE RATING, 25 °C)			
HP	300	DUTY	CONT	IM (AMPS)	116	R1	.00400	X1	.0537
BASE SPEED	1790	S.F.	1.00	P.F. @NL/FL	.047/.863	R2	.00288	X2	.0606
PHASE/HERTZ	3/60	AMB °C/INSUL	40/F	WK ² (Lb-Ft ²)	105.12			XM	1.93

RATED FULL LOAD DATA

	RPM	HP	TORQUE LB-FT	FUND VOLTS	FREQ-HZ	AMPS
BASE SPEED	1791	300	880	460	60	338
MAX SPEED	2687	300	586	460	90	323
MIN SPEED	0	0	880	5.83	.284	338

LOAD PERFORMANCE AT BASE SPEED

	RPM	HP	TORQUE LB-FT	FUND VOLTS	FREQ-HZ	AMPS
NO LOAD	1800	0	0	460	60	116
1/4	1798	75.2	220	460	60	158
1/2	1796	150	439	460	60	208
3/4	1794	225	659	460	60	269
FULL LOAD	1791	300	880	460	60	338
O/L	1782	597	1760	460	60	645

**BLOWER
DATA**

VOLTS	PH/HZ	FL AMPS	LR AMPS	FRAME	CFM

REMARKS: TYPICAL DATA
VECTOR PWM INVERTER DUTY

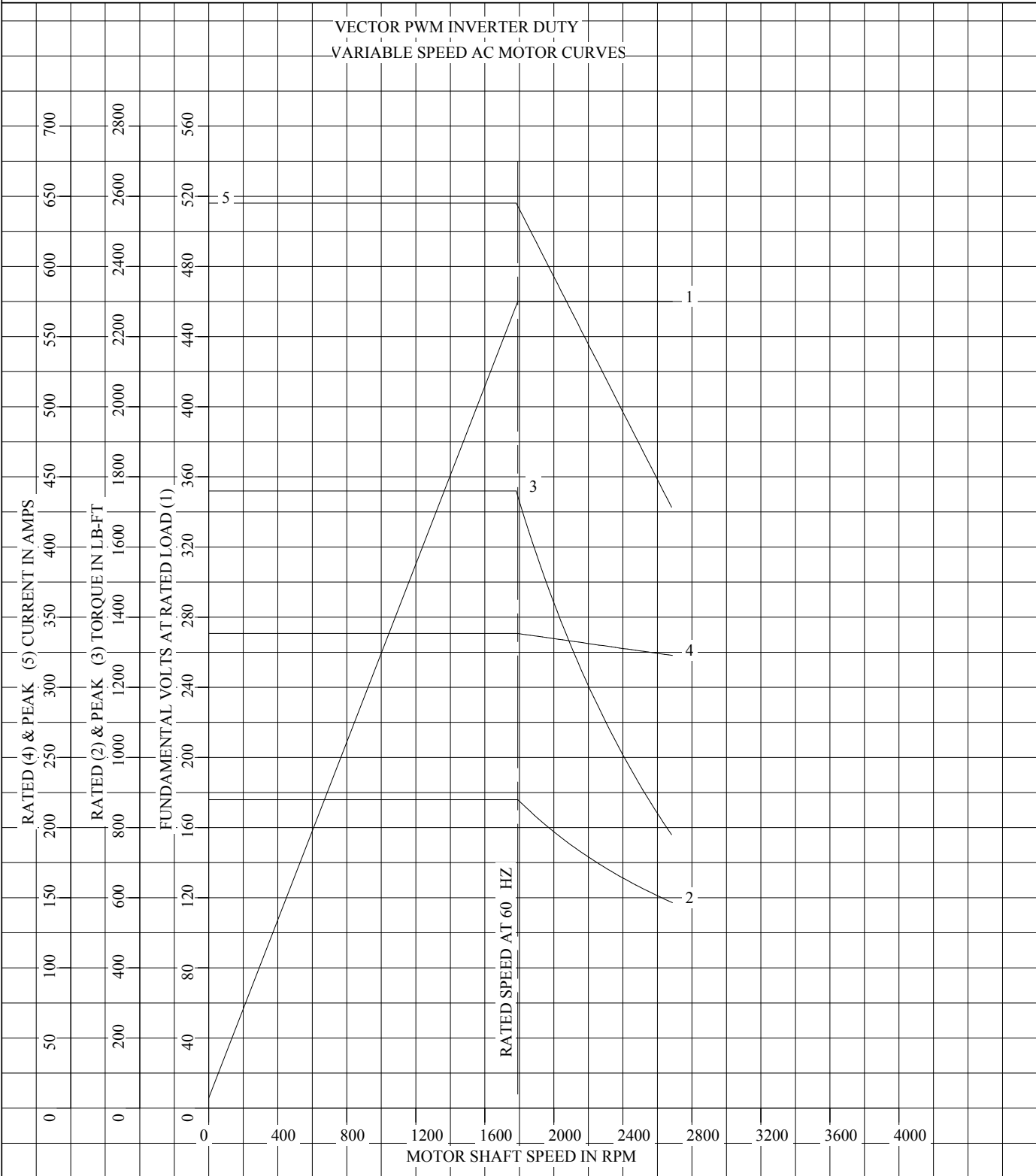


DR. BY J. J. HARRISON
CK. BY W. L. SMITH
APP. BY W. L. SMITH
DATE 08/17/04

**A-C MOTOR
PERFORMANCE DATA** A44WG0622-R002
ISSUE DATE 12/17/10

REL S.O.	-	VOLTS	460	ENCLOSURE	TEFC	WYE CONN EQ CKT OHMS PER PHASE	
FRAME	449T	AMPS	338	MAX SAFE RPM	3600	(AT BASE RATING, 25 °C)	
HP	300	DUTY	CONT	IM (AMPS)	116	R1	.00400 X1 .0537
BASE SPEED	1790	S.F.	1.00	P.F. @NL/FL	.047/.863	R2	.00288 X2 .0606
PHASE/HERTZ	3/60	AMB °C/INSUL	40/F	WK ² (Lb-Ft ²)	105.12		XM 1.93

VECTOR PWM INVERTER DUTY
VARIABLE SPEED AC MOTOR CURVES



REMARKS: TYPICAL DATA
DATA VALID FOR NAMEPLATE SPEED RANGE ONLY

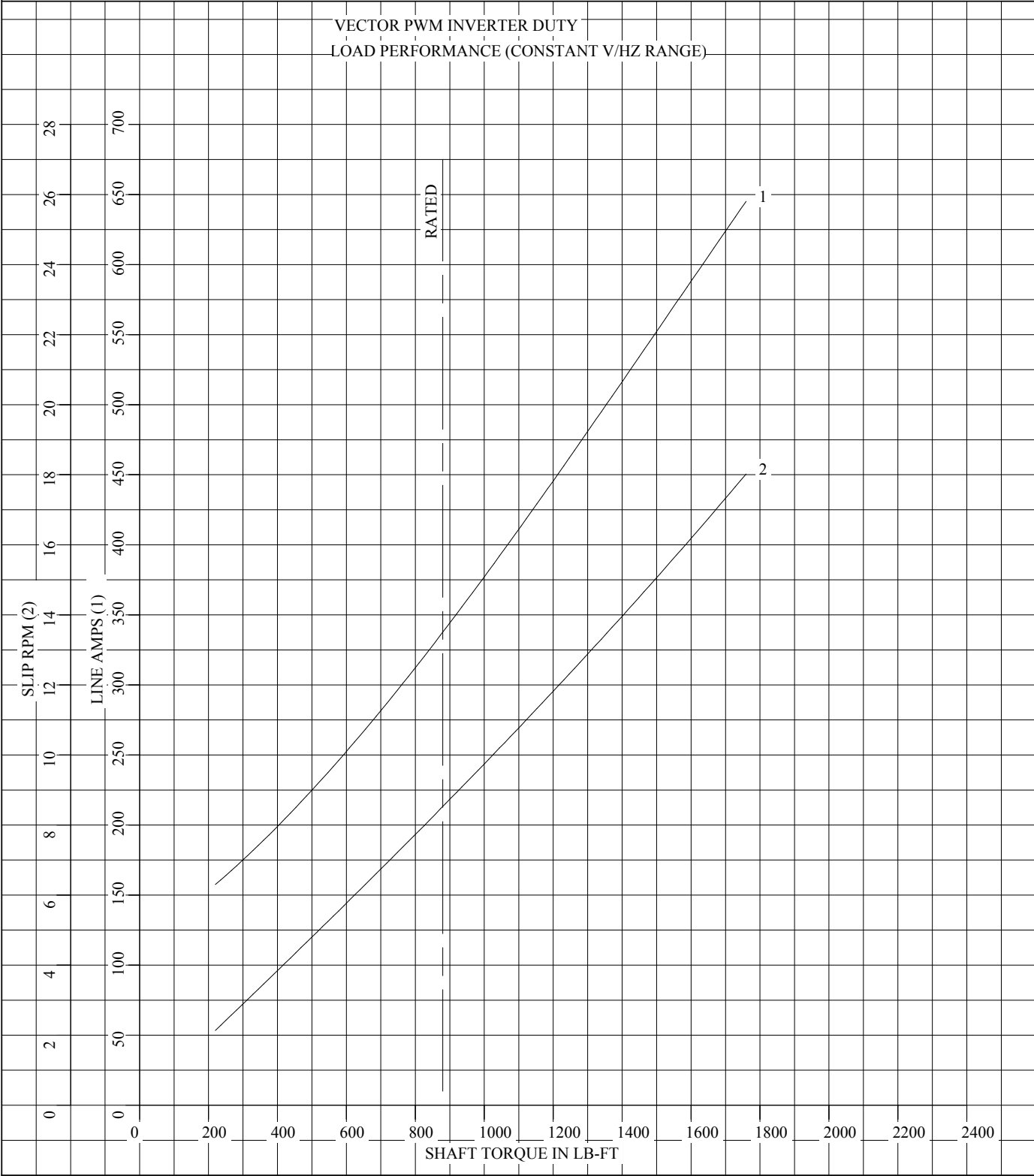


DR. BY J.J.HARRISON
CK. BY W. L. SMITH
APP. BY W. L. SMITH
DATE 08/17/04

**A-C MOTOR
PERFORMANCE
CURVES** A44WG0622-R002
SH 1 OF 2
ISSUE DATE 12/17/10

REL S.O.	-	VOLTS	460	ENCLOSURE	TEFC	WYE CONN EQ CKT OHMS PER PHASE	
FRAME	449T	AMPS	338	MAX SAFE RPM	3600	(AT BASE RATING, 25 °C)	
HP	300	DUTY	CONT	IM (AMPS)	116	R1	.00400 X1 .0537
BASE SPEED	1790	S.F.	1.00	P.F. @NL/FL	.047/.863	R2	.00288 X2 .0606
PHASE/HERTZ	3/60	AMB °C/INSUL	40/F	WK ² (Lb-Ft ²)	105.12		XM 1.93

VECTOR PWM INVERTER DUTY
LOAD PERFORMANCE (CONSTANT V/HZ RANGE)



REMARKS: TYPICAL DATA
DATA VALID FOR NAMEPLATE SPEED RANGE ONLY



DR. BY J.J.HARRISON
CK. BY W. L. SMITH
APP. BY W. L. SMITH
DATE 08/17/04

**A-C MOTOR
PERFORMANCE
CURVES** A44WG0622-R002
SH 2 OF 2
ISSUE DATE 12/17/10

DUTY MASTER ALTERNATING CURRENT MOTORS

SQUIRREL-CAGE INDUCTION

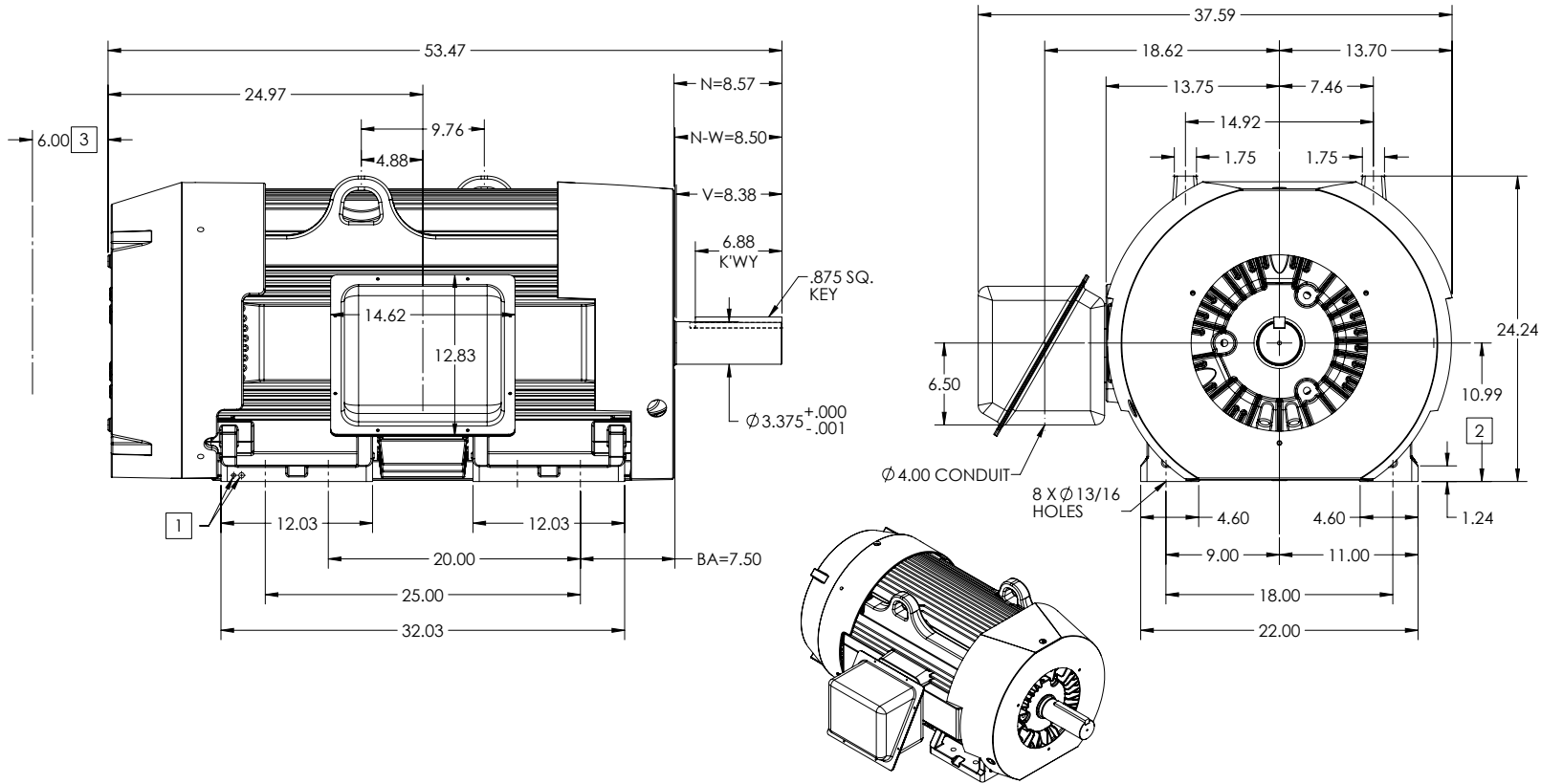
ENCLOSURE: TOTALLY ENCLOSED

FRAME G449T ABOVE NEMA RATINGS

COOLING: FAN COOLED

MOUNTING: FOOT, F-1 SIDE

INCLUDES G447T FRAME MOUNTING HOLES



- 1. GROUND HOLES: QTY 1 1/2-13 TAP; QTY 1 3/8-16 TAP.
- 2. VARIES +.00, -.06.
- 3. OBSTRUCTION MUST NOT ENCROACH ON AIR-INLET.
- 4. MOTOR WEIGHTS MAY VARY BY 15% DEPENDING ON RATING.

4 WEIGHT (LBS): 3100

IF MOUNTING CLEARANCE DETAILS ARE REQUIRED, CONSULT FACTORY.
MAXIMUM PERMISSIBLE SHAFT RUNOUT WHEN MEASURED AT END OF
STANDARD SHAFT EXTENSION IS .003" T.I.R. TO 5 INCH DIA.

DIMENSIONS ARE IN INCHES; SEE SHEET 2 FOR DIMENSIONS IN MILLIMETERS

1 OF 2

061-227219

REV. A	VERSION: 01	REVISED: 12-46-23 11/21/2025	TDR: 00001267443
MODEL NO. 617427-190		REF:	
BY: USDOSCO2	Material:	C	

BALDOR

G449T/447T TFC W/ AIR-DEFLECTOR F1 FT MTG

617427-190

617427-190

DUTY MASTER ALTERNATING CURRENT MOTORS

SQUIRREL-CAGE INDUCTION

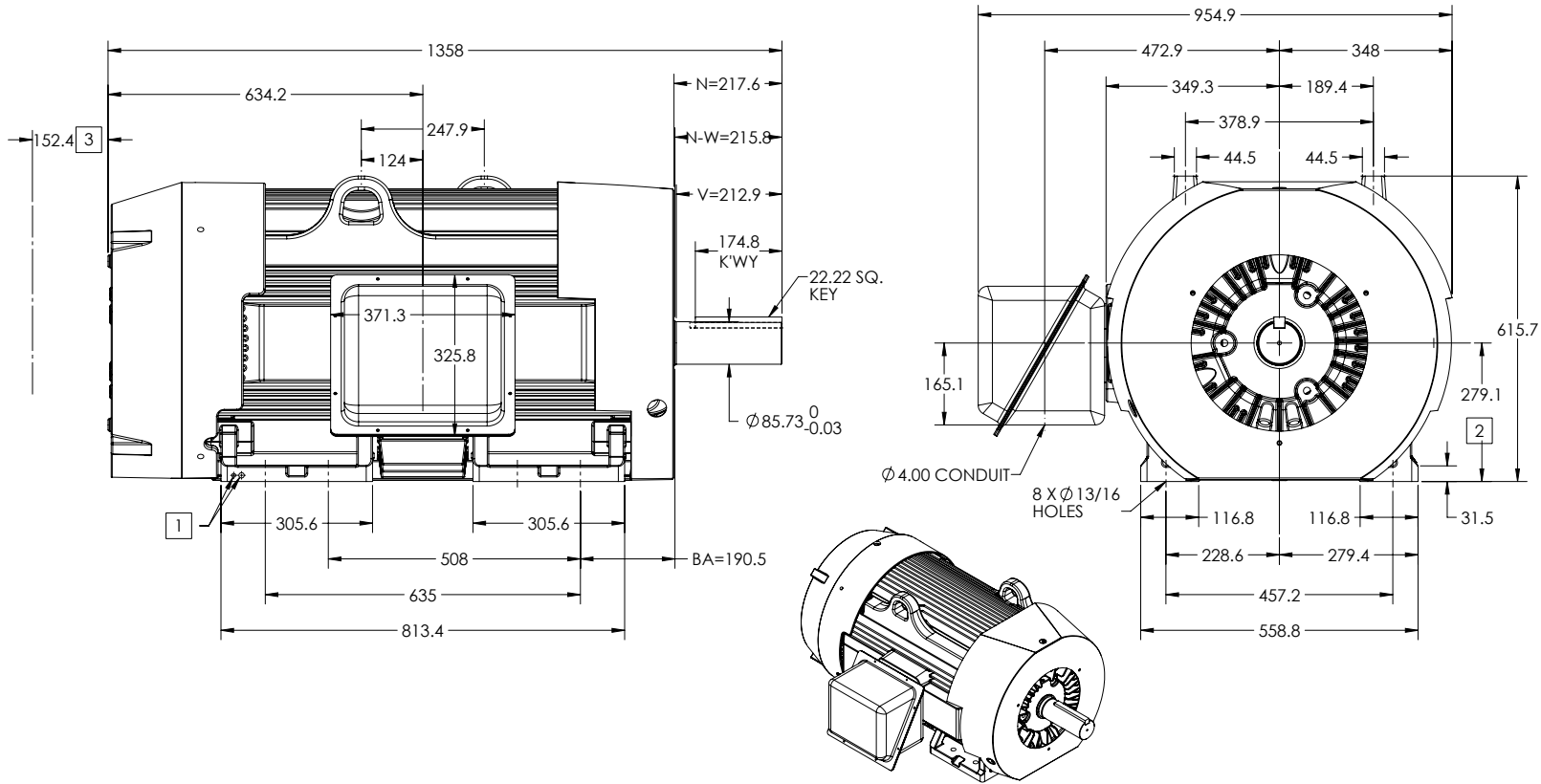
ENCLOSURE: TOTALLY ENCLOSED

FRAME G449T ABOVE NEMA RATINGS

COOLING: FAN COOLED

MOUNTING: FOOT, F-1 SIDE

INCLUDES G447T FRAME MOUNTING HOLES



4 WEIGHT (KGS): 1406

IF MOUNTING CLEARANCE DETAILS ARE REQUIRED, CONSULT FACTORY.
MAXIMUM PERMISSIBLE SHAFT RUNOUT WHEN MEASURED AT END OF
STANDARD SHAFT EXTENSION IS .08MM T.I.R. TO 127MM DIA.

DIMENSIONS ARE IN MILLIMETERS; SEE SHEET 1 FOR DIMENSIONS IN INCHES

2 OF 2

REV. A	VERSION: 01	REVISED: 12-46-23 11/21/2025	TDR: 00001267443
MODEL NO. 617427-190		REF:	
BY: USDOSCO2		Material:	

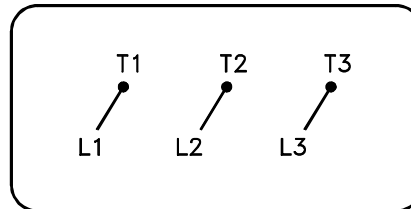
BALDOR

G449T/447T TFC W/ AIR-DEFLECTOR F1 FT MTG

617427-190

416820-036

A-C MOTOR
CONNECTION DIAGRAM
STANDARD 3 LEAD CONNECTED



(N.P. 1575-BA)

REV. DESC: LOADED TO BUS, C/R 335225

REV. LTR: -

VERSION: 00

TDR: 000000538207

FILE: \MGA\00000\682

REVISED: 11:54:06 04/30/2010

MTL: -

BY: RAGRA

BALDOR

CONN DIAG - STANDARD 3 LEAD

SH 1 of 1

416820-036