

ABB BALDOR RELIANCE III

Customer information packet

IDVSM4316T

75HP, 1780RPM, 3PH, 60HZ, 365T, A36070M, TEFC

Class - None

Division - Not Applicable

Specifications

Enclosure	TEFC
Frame	365T
Frame Material	Iron
Frequency	60.00 Hz
Haz Area Class and Group	None
Haz Area Division	Not Applicable
Motor Letter Type	Three Phase
Output @ Frequency	75.000 HP @ 60 HZ
Phase	3
Synchronous Speed @ Frequency	1800 RPM @ 60 HZ
Voltage @ Frequency	230.0 V @ 60 HZ 460.0 V @ 60 HZ
Agency Approvals	CCSA US
Ambient Temperature	40 °C
Auxiliary Box	NO AUXILLARY BOX
Base Indicator	Rigid
Bearing Grease Type	Polyrex EM (-20F +300F)
Constant Torque Speed Range	1000:1
Current @ Voltage	172.000 A @ 230.0 V 86.000 A @ 460.0 V
Design Code	A
Drip Cover	No Drip Cover
Duty Rating	CONT
Efficiency @ 100% Load	95.4 %
Feedback Device	NO FEEDBACK
Heater Indicator	No Heater
High Voltage Full Load Amps	86.0 a
Insulation Class	F
Inverter Code	Inverter Duty
IP Rating	NONE
KVA Code	H
Lifting Lugs	Standard Lifting Lugs

Part Detail

Revision	F
Type	AC
Mech. spec.	
Base	
Status	PRD/A
Elec. spec.	A36WG4073
Layout	617431-412
Eff. date	02-13-2025
CD Diagram	416820-002
Poles	04
Leads	3#4,6#6
Proprietary	False
Created date	06-06-2019

Max Speed	3600 rpm
Motor Lead Quantity/Wire Size	3 @ 4 AWG
Motor Standards	NEMA
Motor Type	A36070M
Mounting Arrangement	F1
Number of Poles	4
Overall Length	33.48 IN
Power Factor	83
Product Family	General Industrial
Pulley End Bearing Type	Ball
Pulley Face Code	Standard
Service Factor	1.00
Shaft Diameter	2.374 IN
Shaft Ground Indicator	No Shaft Grounding
Shaft Rotation	Reversible
Shaft Slinger Indicator	No Slinger
Speed	1780 rpm
Speed Code	Single Speed
Starting Method	Direct on line
Thermal Device - Bearing	None
Thermal Device - Winding	Normally Closed Thermostat

Nameplate

NP2496L
MOBIL POLYREX EM

000613007HV

CAT NO	IDVSM4316T	SPEC NO.	A36-5002-4073					
SER.NO.		FRAME	365T					
	HP	RPM	VOLTS	AMPS	HZ	TYPE	P	
BASE	75	1780	230/460	172/86.2	60	SF	1.00	
MAX	75	2675	230/460	169/84.5	90	INSUL.CLASS	F	
DRIVE END BEARING	65BC03J30X	CONSTANT TORQUE		DUTY	CONT	AMB	40	
OPP D.E. BEARING	65BC03J30X	1000:1	ENCL	TEFC	PHASE	3		
DESIGN NO.	A36WG4073-R002	FLUX AMPS	62/31	VPWM INVERTER READY				
MAX SPEED/RPM	3600	OVERTEMP PROT	2	WK2	13.7	POLES	4	WEIGHT

NP VOLTS	230/460	Base Volt	460	WYE CONN EQ CKT OHMS PER PHASE (BASE RATING, 20C)			
NP AMPS	172/86		R1	0.045	X1	0.239	
HP	75	NL AMPS	30.80	R2	0.225	X2	0.110
BASE SPEED	1783	Slip (HZ)	0.57	R2B	0.021	X2B	0.339
PHASE/HZ	3/60	WK ² (lb-ft ²)	0.000	R2E	0.005	XM	7.820

Rated Full Load Data

	RPM	HP	Torque	Volts	Freq-Hz	Amps
Base Speed	1782.8	74.9	220.5	460	60	86.2
Max Speed	2673	74.8	147.0	460	90	83.5
CT Min Speed	1.7828	0.075	220.5	0.46	0.06	86.2

Load Performance at Base Speed

	RPM	HP	Torque	Volts	Freq-Hz	Amps
No Load	1798.9	0.0	0.0	460	60	30.8
1/4	1795.7	18.8	54.9	460	60	36.9
1/2	1791.7	37.5	109.8	460	60	50.3
3/4	1787.7	56.2	164.9	460	60	67.3
Full Load	1782.8	74.9	220.5	460	60	86.2
O/L	1762	149.7	446.0	460	60	179.0

Blower Data

Volts	Ph/Hz	FL Amps	LR Amps	Frame	CFM

Remarks: Calculated Data



DR BY USBRRAN1
 CK BY CD
 APP BY USBRRAN1
 DATE 11/5/2024

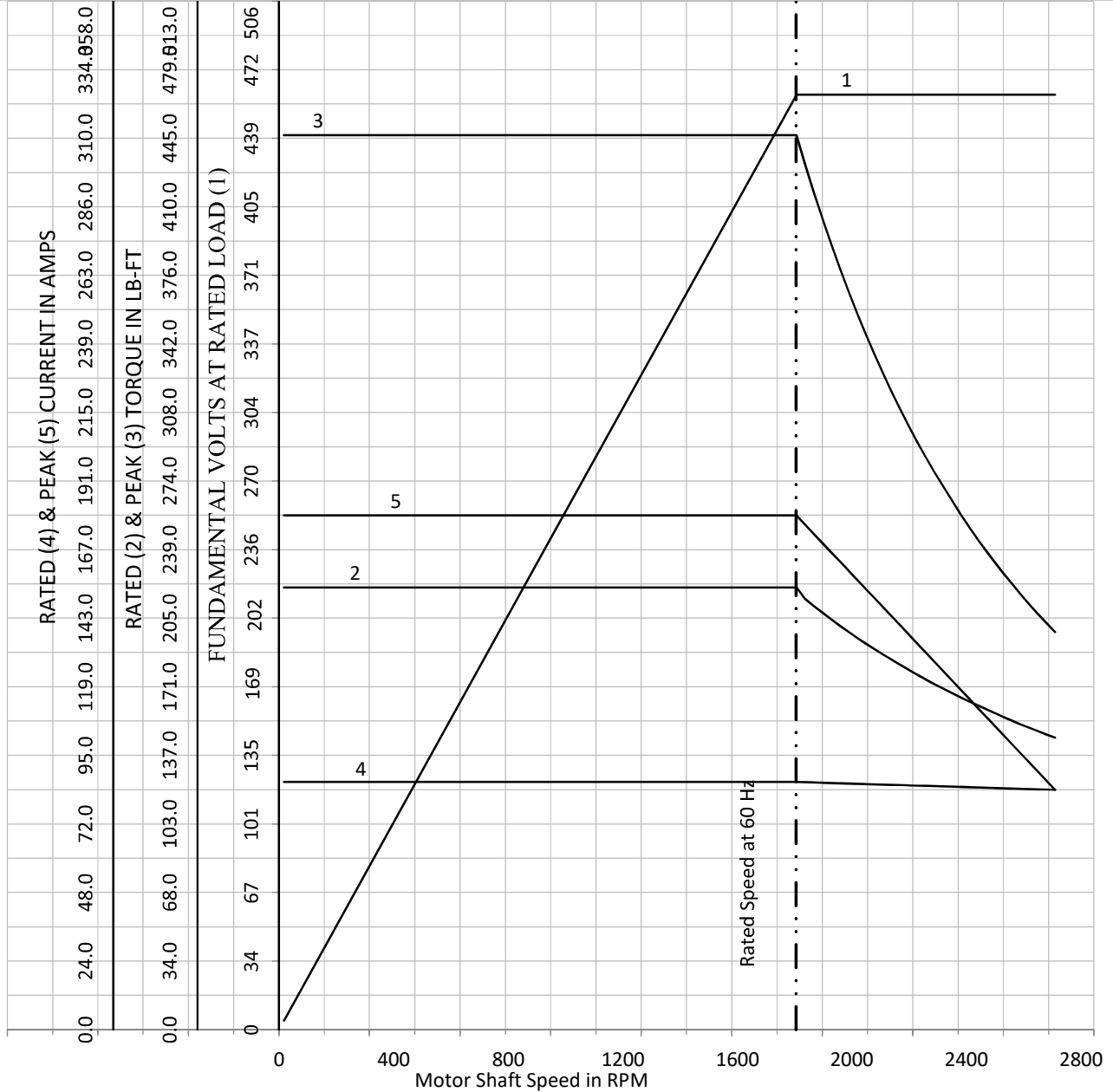
**A-C MOTOR
PERFORMANCE
CURVES**

A36WG4073

Record: 76727

NP VOLTS	230/460	Base Volt	460	WYE CONN EQ CKT OHMS PER PHASE (BASE RATING, 20C)			
NP AMPS	172/86		R1	0.045	X1	0.239	
HP	75	NL AMPS	30.80	R2	0.225	X2	0.110
BASE SPEED	1782.80005	Slip (HZ)	0.57	R2B	0.021	X2B	0.339
PHASE/HZ	3/60	WK ² (lb-ft ²)	0.000	R2E	0.005	XM	7.820

Variable Speed AC Motor Curves



Calculated Data

Data Valid For Nameplate Speed Range only



DR BY USBRRAN1
 CK BY CD
 APP BY USBRRAN1
 DATE 11/5/2024

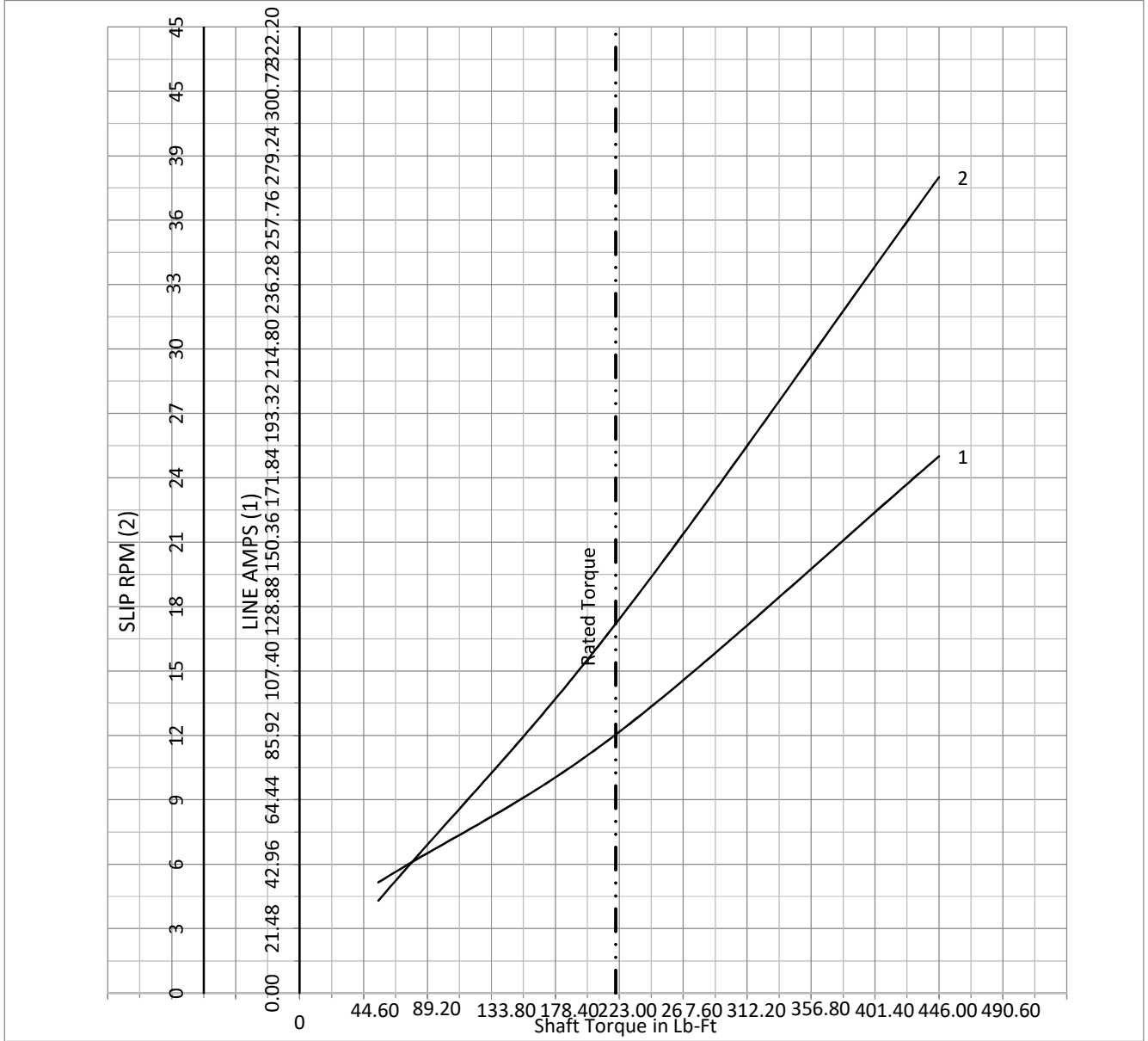
**A-C MOTOR
PERFORMANCE
CURVES**

A36WG4073

Record: 76727

NP VOLTS	230/460	0	0	WYE CONN EQ CKT OHMS PER PHASE (BASE RATING, 20C)			
NP AMPS	172/86	Base Volt	460	R1	0.045	X1	0.239
HP	75	NL AMPS	30.80	R2	0.225	X2	0.110
BASE SPEED	1782.800049	Slip (HZ)	0.57	R2B	0.021	X2B	0.339
PHASE/HZ	3/60	WK2 (lb-ft ²)	0.000	R2E	0.005	XM	7.820

Vector PWM Inverter Duty
Variable Speed AC Motor Curves



Calculated Data

Data Valid For Nameplate Speed Range only



DR BY USBRRAN1
 CK BY CD
 APP BY USBRRAN1
 DATE 11/5/2024

**A-C MOTOR
PERFORMANCE
CURVES**

A36WG4073

Record: 76727

617431-412

ENCLOSURE: TOTALLY ENCLOSED

MOUNTING: FOOT, F-1 SIDE

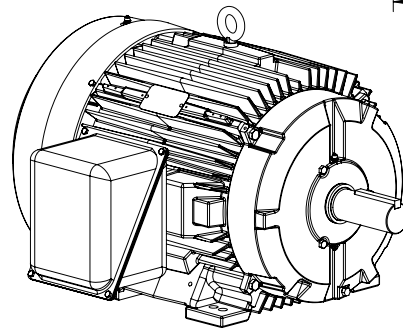
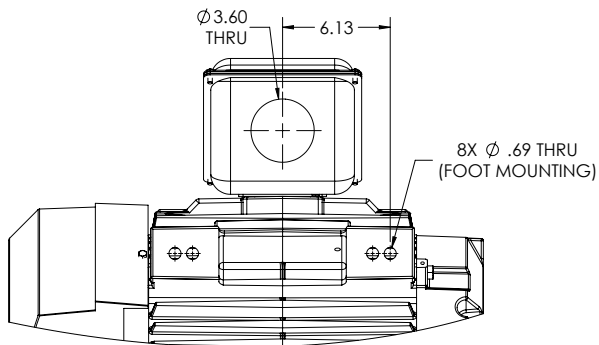
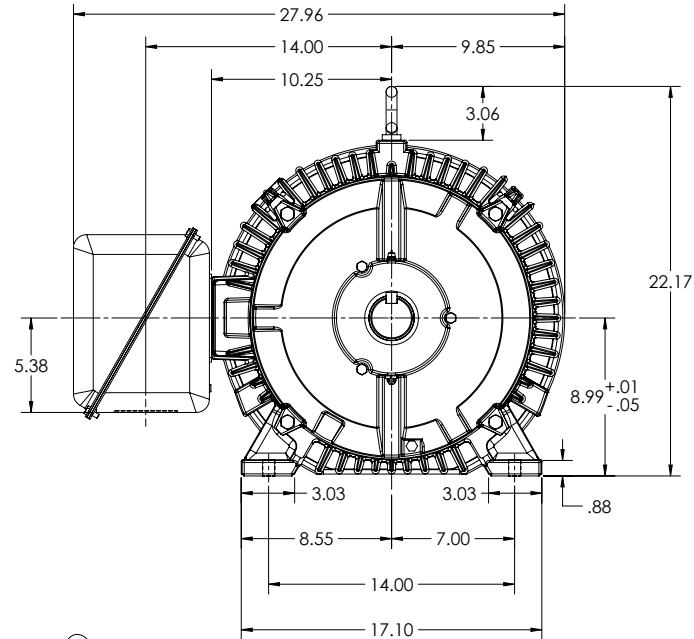
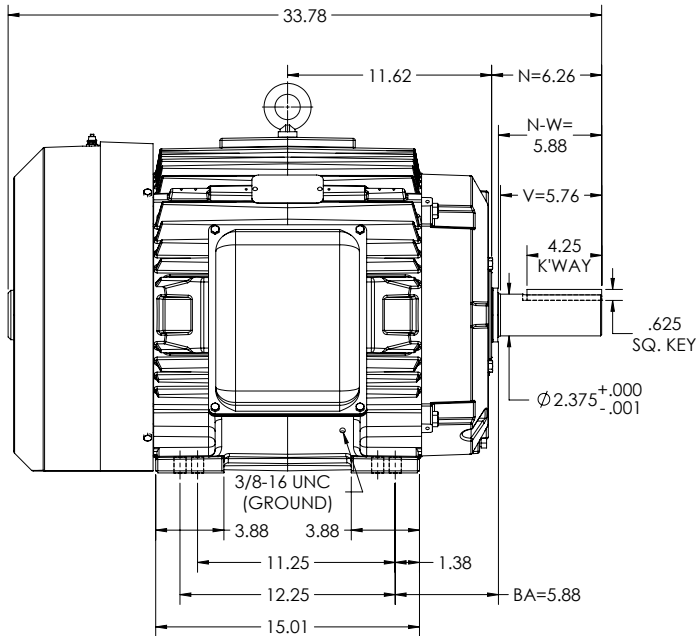
DUTY MASTER ALTERNATING CURRENT MOTORS

SQUIRREL-CAGE INDUCTION

E365T/E364T FRAME MOUNTING

COOLING: FAN COOLED

STEEL CONDUIT BOX



DIMENSIONS ARE IN INCHES.
WEIGHT (LBS.) 800. MOTOR WEIGHT MAY VARY 15% DEPENDING ON RATING.
CUSTOMER IS RESPONSIBLE FOR DETERMINING THAT MOTOR PERFORMANCE IS SUITABLE IN THE APPLICATION.

SHEET NUMBER
1 OF 2

IF MOUNTING CLEARANCE DETAILS ARE REQUIRED, CONSULT FACTORY.
MAX PERMISSIBLE SHAFT RUNOUT WHEN MEASURED AT END OF STANDARD SHAFT EXTENSION IS .003" T.I.R.

REV. DESC: UPDATE DS QUALITY			
REV: F	VERSION: 06	REVISED: 01-00-49 01-02-2024	TDR: 000001222947
MODEL NO. 617431-412			
BY: USJEDIL			

BALDOR

E365364T TEFC FOOT F1 STEEL CONDUIT BOX

617431-412

617431-412

ENCLOSURE: TOTALLY ENCLOSED

MOUNTING: FOOT, F-1 SIDE

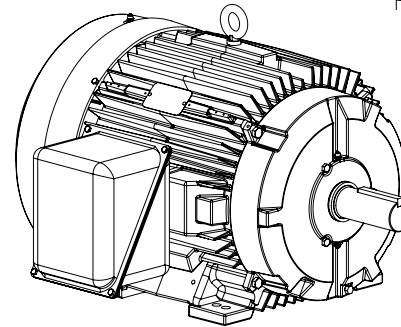
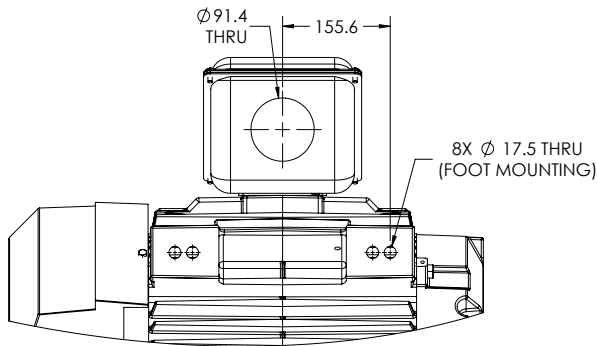
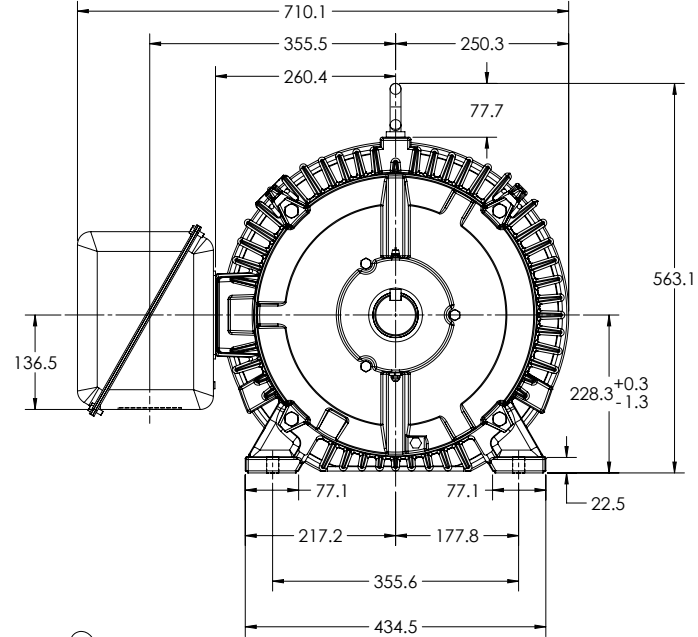
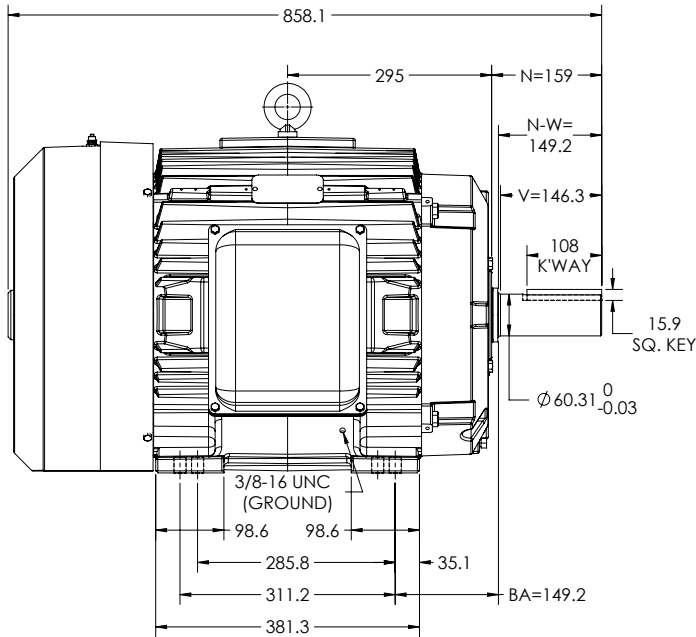
DUTY MASTER ALTERNATING CURRENT MOTORS

SQUIRREL-CAGE INDUCTION

E365T/E364T FRAME MOUNTING

COOLING: FAN COOLED

STEEL CONDUIT BOX



DIMENSIONS ARE IN MILLIMETERS.
WEIGHT (KG) 362. MOTOR WEIGHT MAY VARY 15% DEPENDING ON RATING.
CUSTOMER IS RESPONSIBLE FOR DETERMINING THAT MOTOR PERFORMANCE IS SUITABLE IN THE APPLICATION.

SHEET NUMBER
2 OF 2

IF MOUNTING CLEARANCE DETAILS ARE REQUIRED, CONSULT FACTORY.
MAX PERMISSIBLE SHAFT RUNOUT WHEN MEASURED AT END OF STANDARD SHAFT EXTENSION IS .08 T.I.R.

REV. DESC: UPDATE DS QUALITY			
REV: F	VERSION: 06	REVISED: 01-00-49 01/02/2024	TDR: 000001222947
MODEL NO. 617431-412			
BY: USJEDIL			

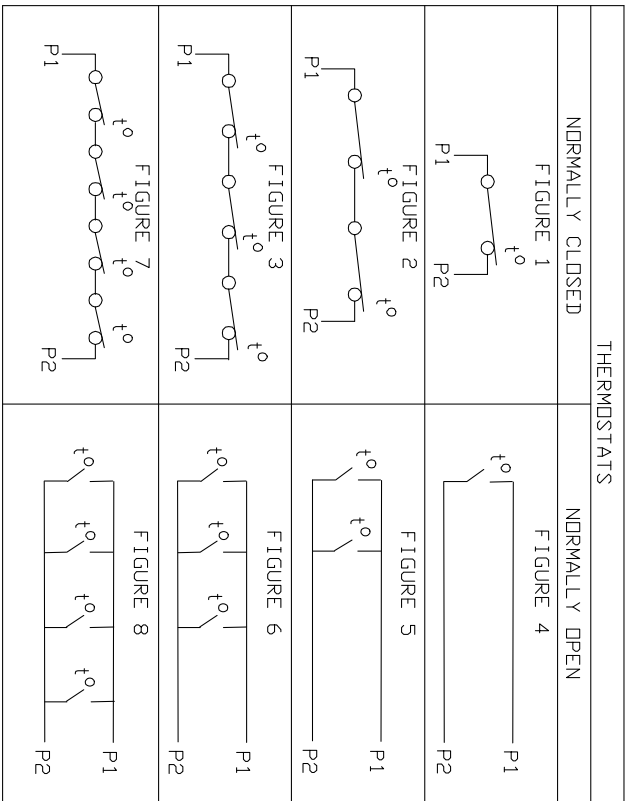
BALDOR

E365/E364T TEFC FOOT F1 STEEL CONDUIT BOX

617431-412

CONNECTION DIAGRAM ACCESSORIES

MOTOR WINDING THERMOSTATS	
CONTACTS _____ @ _____ °C	
FIGURE NUMBER _____	
CONTACT RATING	
VOLTS	CONTINUOUS AMPERES
110-120	3.0
220-240	1.5
440-480	0.75
550-600	0.60
	INRUSH AMPERES
	30
	15
	7.5
	6.0



CUSTOMER _____ CUSTOMER ORDER NO. _____ S.O. NO. _____

418174-006

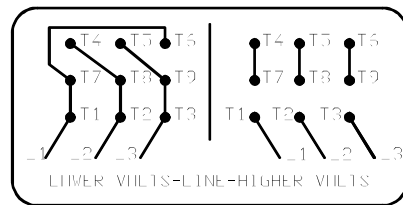
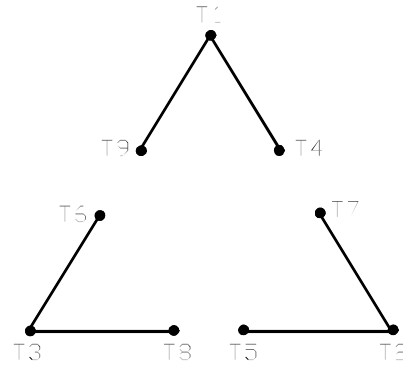
418174-006

REV. DESC: LOADED TO BUS		
REV. LTR: A	VERSION: 01	TDR: 000000570390
FILE: \RAG\00013\849	REVISED: 10:16:21 12/07/2010	BY: RAGDRF
MTL: -		

BALDOR
A-C MOTOR CONNECTION ACCESSORIES
SH 1 of 1

416820-002

A-C MOTOR
CONNECTION DIAGRAM
STANDARD 9 LEAD DELTA-CONNECTED



(N.P. 1575-B)

416820-002

REV. DESC: FONT CHANGE FOR PDF SEARCHABLE		
REV. LTR: A	VERSION: 01	TDR: 000001009382
FILE: \MGA\00000\661	REVISED: 02:46:19 02/13/2020	BY: MGHMTT
MTL: -		© □

BALDOR - RELIANCE®

CONN DIAG - STANDARD 9 LEAD, DELTA-CONNECTED

SH 1 of 1