

BALDOR • RELIANCE

Customer information packet

IDVSM4314T

60HP, 1800RPM, 3PH, 60HZ, 364T, TEFC, FOOT,
Class - None
Division - Not Applicable

Specifications

Enclosure	TEFC
Frame	364T
Frame Material	Iron
Frequency	60.00 Hz 90.00 Hz
Haz Area Class and Group	None
Haz Area Division	Not Applicable
Motor Letter Type	Three Phase
Output @ Frequency	60.000 HP @ 60 HZ 60.000 HP @ 90 HZ
Phase	3
Synchronous Speed @ Frequency	3000 RPM @ 90 HZ
Voltage @ Frequency	460.0 V @ 60 HZ 460.0 V @ 90 HZ 230.0 V @ 90 HZ 230.0 V @ 60 HZ
Agency Approvals	CCSA US
Ambient Temperature	40 °C
Auxillary Box	No Auxillary Box
Base Indicator	Rigid
Bearing Grease Type	Polyrex EM (-20F +300F)
Constant Torque Speed Range	1000:1
Current @ Voltage	71.200 A @ 460.0 V 69.100 A @ 460.0 V 142.000 A @ 230.0 V 138.000 A @ 230.0 V
Design Code	A
Drip Cover	No Drip Cover
Duty Rating	CONT
Feedback Device	NO FEEDBACK
Heater Indicator	No Heater
High Voltage Full Load Amps	69.1 a

Part detail

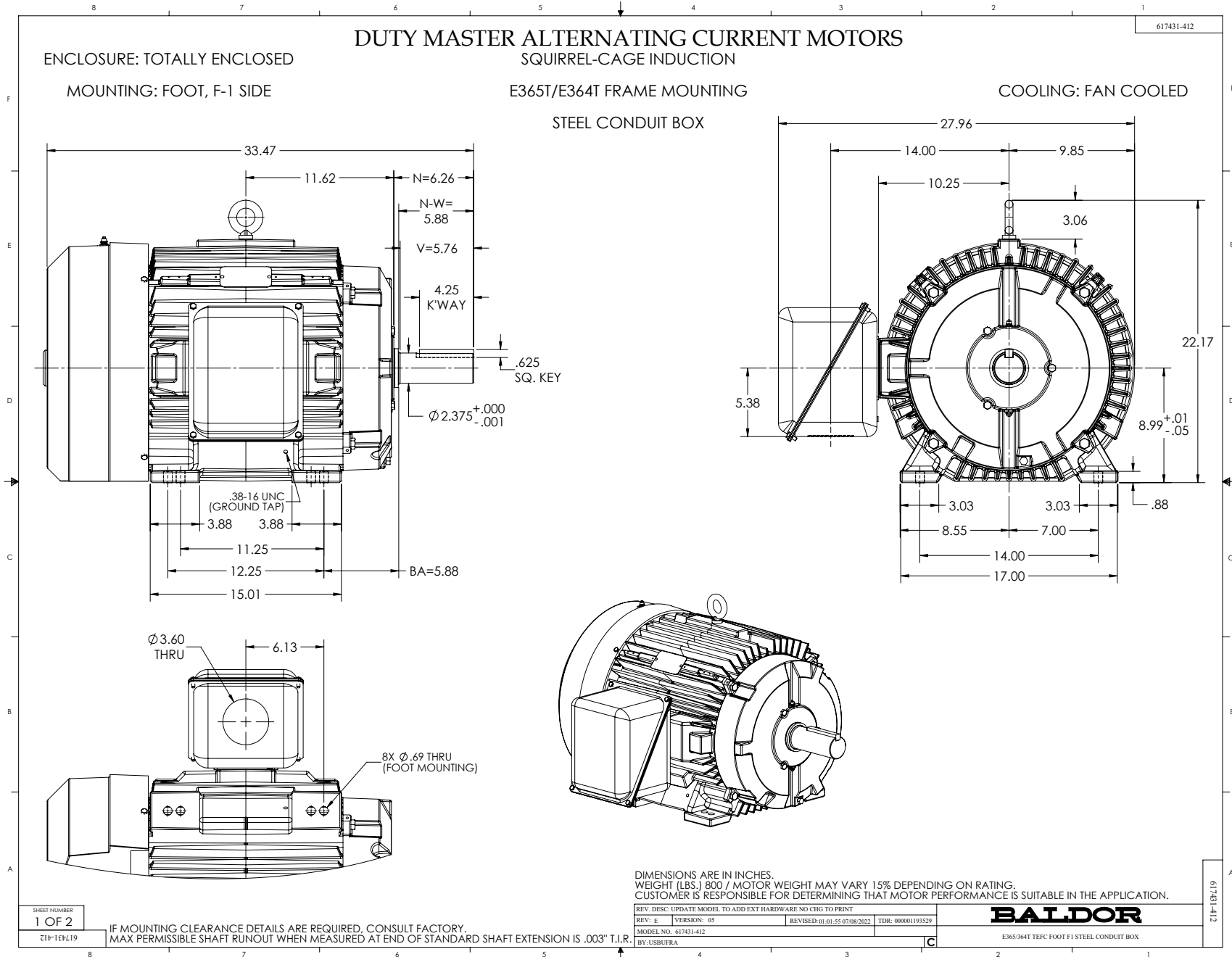
Revision	L
Type	AC
Mech. spec.	
Base	
Status	PRD/A
Elec. spec.	A36WG0566
Layout	617431-412
Eff. date	09-27-2023
CD Diagram	416820-002
Poles	04
Leads	3#4,6#6
Proprietary	False
Created date	10-19-2010

Insulation Class	F
Inverter Code	Inverter Duty
KVA Code	J
Lifting Lugs	No Lifting Lugs
Max Speed	3600 rpm
Motor Lead Quantity/Wire Size	3 @ 4 AWG
Motor Standards	NEMA
Motor Type	A36062M
Mounting Arrangement	F1
Number of Poles	4
Overall Length	33.44 IN
Pulley End Bearing Type	Ball
Pulley Face Code	Standard
Service Factor	1.00
Shaft Ground Indicator	No Shaft Grounding
Shaft Rotation	Reversible
Shaft Slinger Indicator	No Slinger
Speed	1785 rpm 2675 rpm
Speed Code	Single Speed
Starting Method	Direct on line
Thermal Device - Bearing	None
Thermal Device - Winding	Normally Closed Thermostat

Nameplate

000613007HV

CAT NO	IDVSM4314T	SPEC NO.	P36G3221					
SER.NO.		FRAME	364T					
	HP	RPM	VOLTS	AMPS	HZ	TYPE	P	
BASE	60	1785	230/460	142/71.2	60	SF	1.00	
MAX	60	2675	230/460	138/69.1	90	INSUL.CLASS	F	
DRIVE END BEARING	65BC03J30X	CONSTANT TORQUE		DUTY	CONT	AMB	40	
OPP D.E. BEARING	65BC03J30X	1000 1	ENCL	TEFC	PHASE	3		
DESIGN NO.	A36WG0566-R002	FLUX AMPS	48.6/24.3		VPWM INVERTER READY			
MAX SPEED/RPM	3600	OVERTEMP PROT	2	WK2	14.32	POLES	4	WEIGHT



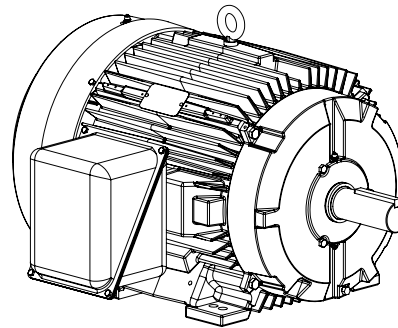
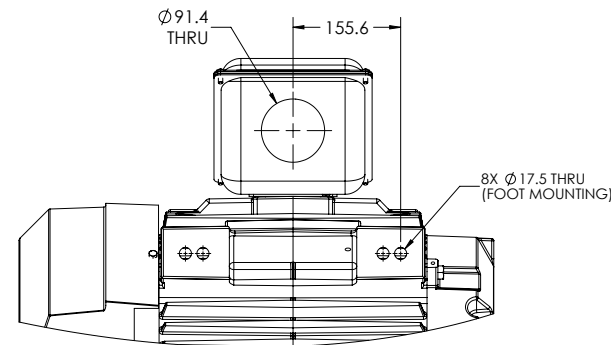
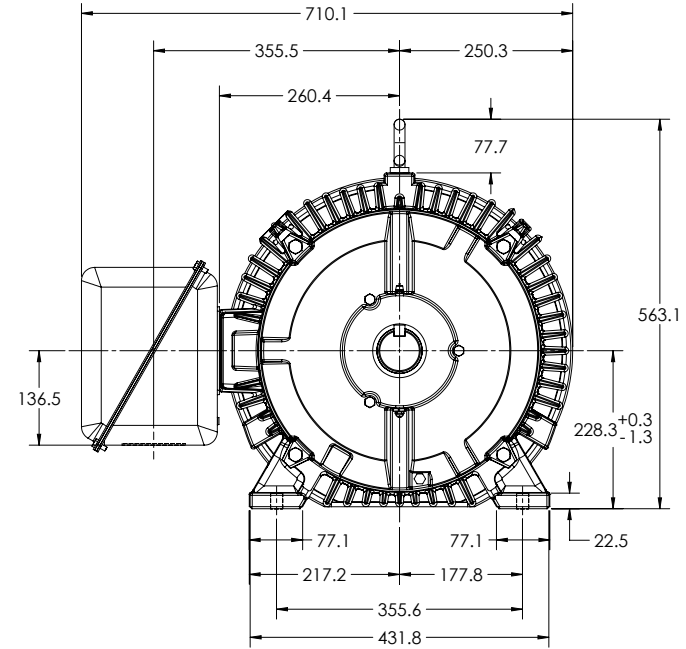
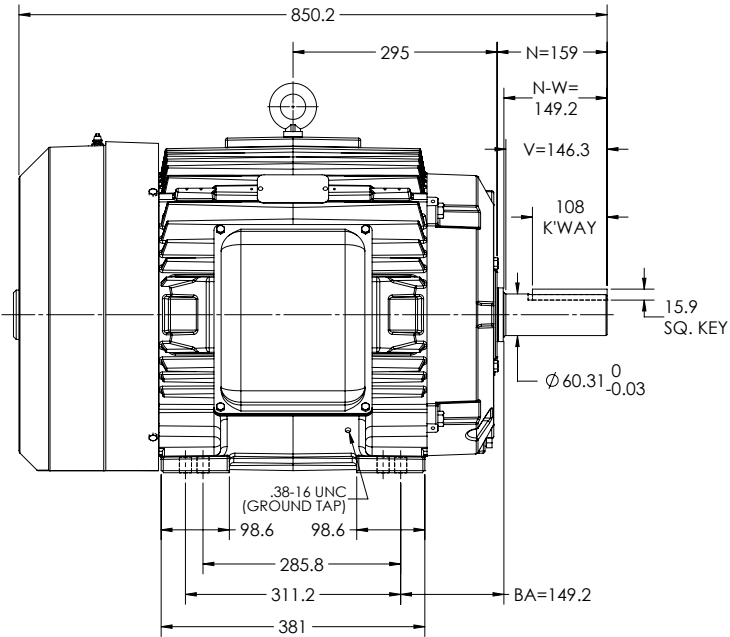
617431-412

ENCLOSURE: TOTALLY ENCLOSED
MOUNTING: FOOT, F-1 SIDE

DUTY MASTER ALTERNATING CURRENT MOTORS
SQUIRREL-CAGE INDUCTION

E365T/E364T FRAME MOUNTING
STEEL CONDUIT BOX

COOLING: FAN COOLED



DIMENSIONS ARE IN MILLIMETERS.
WEIGHT (KG) 362 / MOTOR WEIGHT MAY VARY 15% DEPENDING ON RATING.
CUSTOMER IS RESPONSIBLE FOR DETERMINING THAT MOTOR PERFORMANCE IS SUITABLE IN THE APPLICATION.

SHEET NUMBER
2 OF 2

IF MOUNTING CLEARANCE DETAILS ARE REQUIRED, CONSULT FACTORY.
MAX PERMISSIBLE SHAFT RUNOUT WHEN MEASURED AT END OF STANDARD SHAFT EXTENSION IS .08 T.I.R.

REV. DESC: UPDATE MODEL TO ADD EXT HARDWARE NO CHG TO PRINT			
REV: E	VERSION: 05	REVISED: 01-01-55 07/08/2022	TDR: 000001193529
MODEL NO. 617431-412			
BY: USBUFRA			

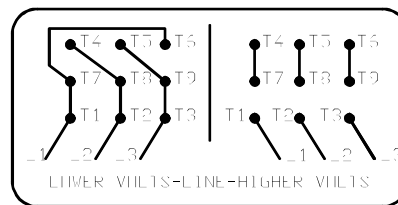
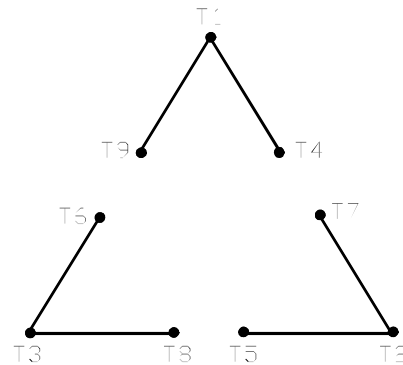
BALDOR

E365/364T TEFC FOOT F1 STEEL CONDUIT BOX

617431-412

416820-002

A-C MOTOR
 CONNECTION DIAGRAM
 STANDARD 9 LEAD DELTA-CONNECTED



(N.P. 1575-B)

416820-002

REV. DESC: FONT CHANGE FOR PDF SEARCHABLE		
REV. LTR: A	VERSION: 01	TDR: 000001009382
FILE: \MGA\00000\661	REVISED: 02:46:19 02/13/2020	BY: MGHMTT
MTL: -		© □

BALDOR - RELIANCE®

CONN DIAG - STANDARD 9 LEAD, DELTA-CONNECTED

SH 1 of 1