

# ABB BALDOR RELIANCE III

---

## Customer information packet

### IDVSM3774T-5

10HP, 1760RPM, 3PH, 60HZ, 215TC, 0748M, GP, F1

Class - None

Division - Not Applicable

**Specifications**

<b>Enclosure</b>	GP
<b>Frame</b>	215TC
<b>Frame Material</b>	Iron
<b>Frequency</b>	60.00 Hz
<b>Haz Area Class and Group</b>	None
<b>Haz Area Division</b>	Not Applicable
<b>Motor Letter Type</b>	Three Phase
<b>Output @ Frequency</b>	10.000 HP @ 60 HZ
<b>Phase</b>	3
<b>Synchronous Speed @ Frequency</b>	1800 RPM @ 60 HZ
<b>Voltage @ Frequency</b>	575.0 V @ 60 HZ
<b>Agency Approvals</b>	CSA UR
<b>Ambient Temperature</b>	40 °C
<b>Auxiliary Box</b>	NO AUXILLARY BOX
<b>Auxiliary Box Lead Termination</b>	None
<b>Base Indicator</b>	Rigid
<b>Bearing Grease Type</b>	Polyrex EM (-20F +300F)
<b>Blower</b>	None
<b>Current @ Voltage</b>	9.800 A @ 575.0 V
<b>Design Code</b>	A
<b>Drip Cover</b>	No Drip Cover
<b>Duty Rating</b>	CONT
<b>Efficiency @ 100% Load</b>	91.7 %
<b>Electrically Isolated Bearing</b>	Not Electrically Isolated
<b>Feedback Device</b>	NO FEEDBACK
<b>Front Shaft Indicator</b>	No Key Or Flat
<b>Heater Indicator</b>	No Heater
<b>High Voltage Full Load Amps</b>	9.8 a
<b>Insulation Class</b>	F
<b>Inverter Code</b>	Inverter Duty
<b>KVA Code</b>	H

**Part Detail**

<b>Revision</b>	B
<b>Type</b>	AC
<b>Mech. spec.</b>	07M288
<b>Base</b>	
<b>Status</b>	PRD/A
<b>Elec. spec.</b>	07WGX493
<b>Layout</b>	07LYM288
<b>Eff. date</b>	09-30-2025
<b>CD Diagram</b>	CD0006
<b>Poles</b>	04
<b>Leads</b>	3#14
<b>Proprietary</b>	False
<b>Created date</b>	11-10-2020

<b>Lifting Lugs</b>	<b>Standard Lifting Lugs</b>
<b>Locked Bearing Indicator</b>	Locked Bearing
<b>Max Speed</b>	2700 rpm
<b>Motor Lead Quantity/Wire Size</b>	3 @ 14 AWG
<b>Motor Lead Termination</b>	Flying Leads
<b>Motor Standards</b>	NEMA
<b>Motor Type</b>	0748M
<b>Mounting Arrangement</b>	F1
<b>Number of Poles</b>	4
<b>Overall Length</b>	24.59 IN
<b>Power Factor</b>	83
<b>Product Family</b>	General Purpose
<b>Pulley End Bearing Type</b>	Ball
<b>Pulley Face Code</b>	C-Face
<b>Pulley Shaft Indicator</b>	Standard
<b>Rodent Screen</b>	None
<b>Service Factor</b>	1.00
<b>Shaft Diameter</b>	1.375 IN
<b>Shaft Ground Indicator</b>	No Shaft Grounding
<b>Shaft Rotation</b>	Reversible
<b>Shaft Slinger Indicator</b>	No Slinger
<b>Speed</b>	1760 rpm
<b>Speed Code</b>	Single Speed
<b>Starting Method</b>	Direct on line
<b>Thermal Device - Bearing</b>	None
<b>Thermal Device - Winding</b>	Normally Closed Thermostat
<b>Vibration Sensor Indicator</b>	No Vibration Sensor
<b>Winding Thermal 1</b>	None
<b>Winding Thermal 2</b>	None

**Nameplate**

<b>NP4615L</b>	
<b>CAT NO</b>	IDVSM3774T-5
<b>SPEC.</b>	07M288X493G1 <b>ENCL</b> TEFC
<b>FRAME</b>	215TC <b>HP</b> 10
<b>VOLTS</b>	575
<b>MAG CUR</b>	4.1 <b>FLA</b> 9.8
<b>RPM</b>	1760 <b>RPM MAX</b> 2700
<b>HZ</b>	60 <b>PH</b> 3 <b>CLASS</b> F
<b>SER.F.</b>	1.00 <b>SL HZ</b> 1.3
<b>NEMA-NOM-EFF</b>	91.7 <b>WK2</b> 1.18
<b>RATING</b>	40C AMB-CONT
<b>DE BRG</b>	6307 <b>ODE BRG</b> 6206
<b>CC</b>	010A <b>SN</b>
	1.5:1 CHP PWM
	1000:1 CT/VT

NP VOLTS	575	Base Volt 575 NL AMPS 4.10 Slip (HZ) 1.27 WK <sup>2</sup> (lb-ft <sup>2</sup> ) 1.180	WYE CONN EQ CKT OHMS PER PHASE (BASE RATING, 20c)			
NP AMPS	9.8		R1	0.000	X1	0.000
HP	10		R2	0.000	X2	0.000
BASE SPEED	1762				XM	0.000
PHASE/HZ	3/60					

**Rated Full Load Data**

	RPM	HP	Torque	Volts	Freq-Hz	Amps
Base Speed	1762	10.0	29.7	575	60	9.8
Max Speed	2642	9.9	19.8	575	90	9.1
CT Min Speed	1.762	0.010	29.7	0.58	0.06	9.8

**Load Performance at Base Speed**

	RPM	HP	Torque	Volts	Freq-Hz	Amps
No Load	1799	0.0	0.0	575	60	4.1
1/4	1790	2.5	7.3	575	60	4.7
1/2	1781	5.0	14.7	575	60	6.0
3/4	1771	7.5	22.3	575	60	7.8
Full Load	1762	10.0	29.7	575	60	9.8
O/L	1731	19.9	60.3	575	60	19.1

**Blower Data**

Volts	Ph/Hz	FL Amps	LR Amps	Frame	CFM

Remarks: Calculated Data



DR BY USBRRAN1  
 CK BY CD  
 APP BY USBRRAN1  
 DATE 11/5/2024

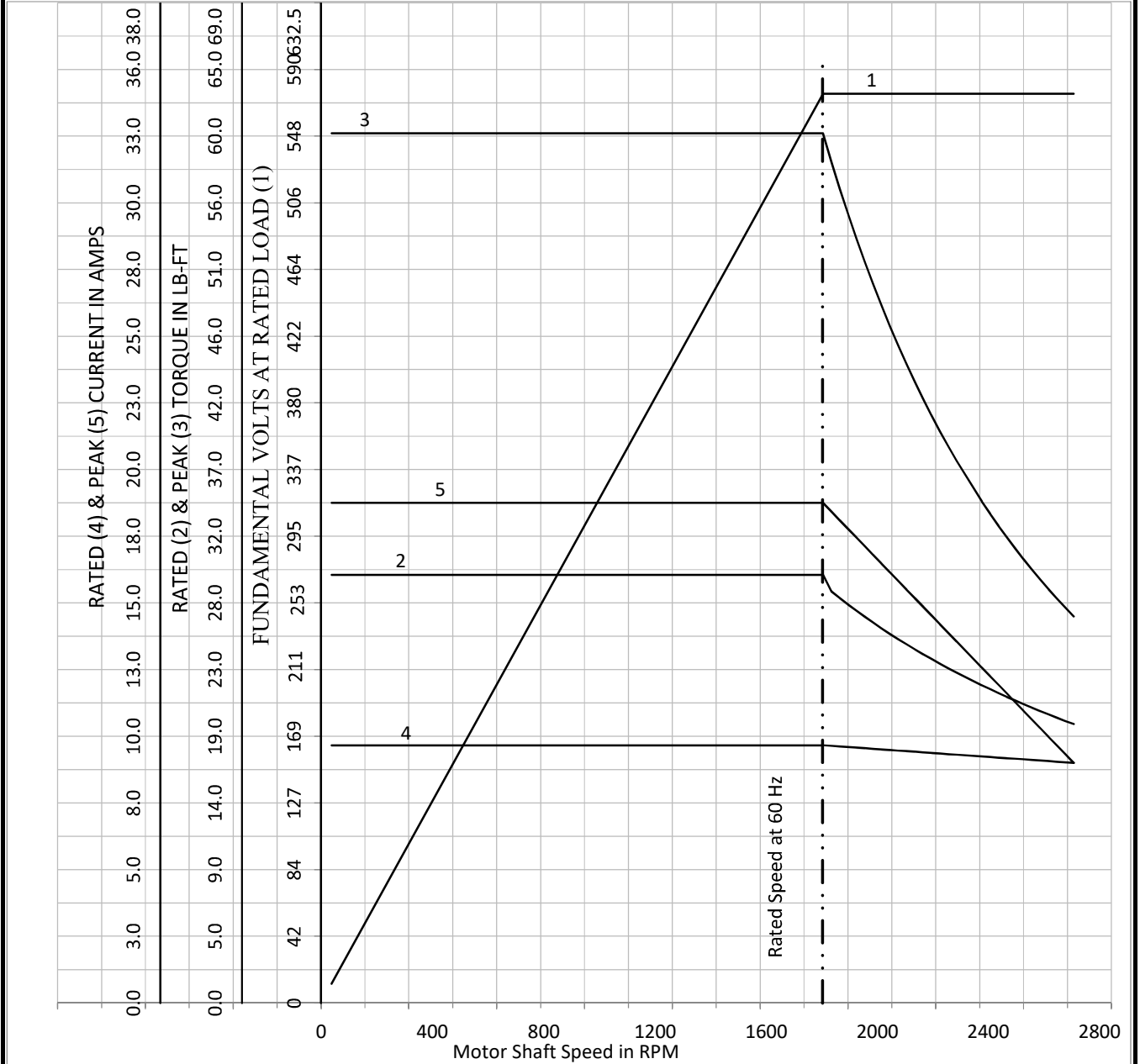
**A-C MOTOR  
 PERFORMANCE  
 CURVES**

**07WGX493**

Record: 36492

NP VOLTS	575	Base Volt	575	WYE CONN EQ CKT OHMS PER PHASE (BASE RATING, 20C)				
NP AMPS	9.8		R1	0.000	X1	0.000		
HP	10		NL AMPS	4.10	R2	0.000	X2	0.000
BASE SPEED	1762		Slip (HZ)	1.27			XM	0.000
PHASE/HZ	3/60		WK <sup>2</sup> (lb-ft <sup>2</sup> )	1.180				

Variable Speed AC Motor Curves



Calculated Data

Data Valid For Nameplate Speed Range only



DR BY USBRRAN1  
 CK BY CD  
 APP BY USBRRAN1  
 DATE 11/5/2024

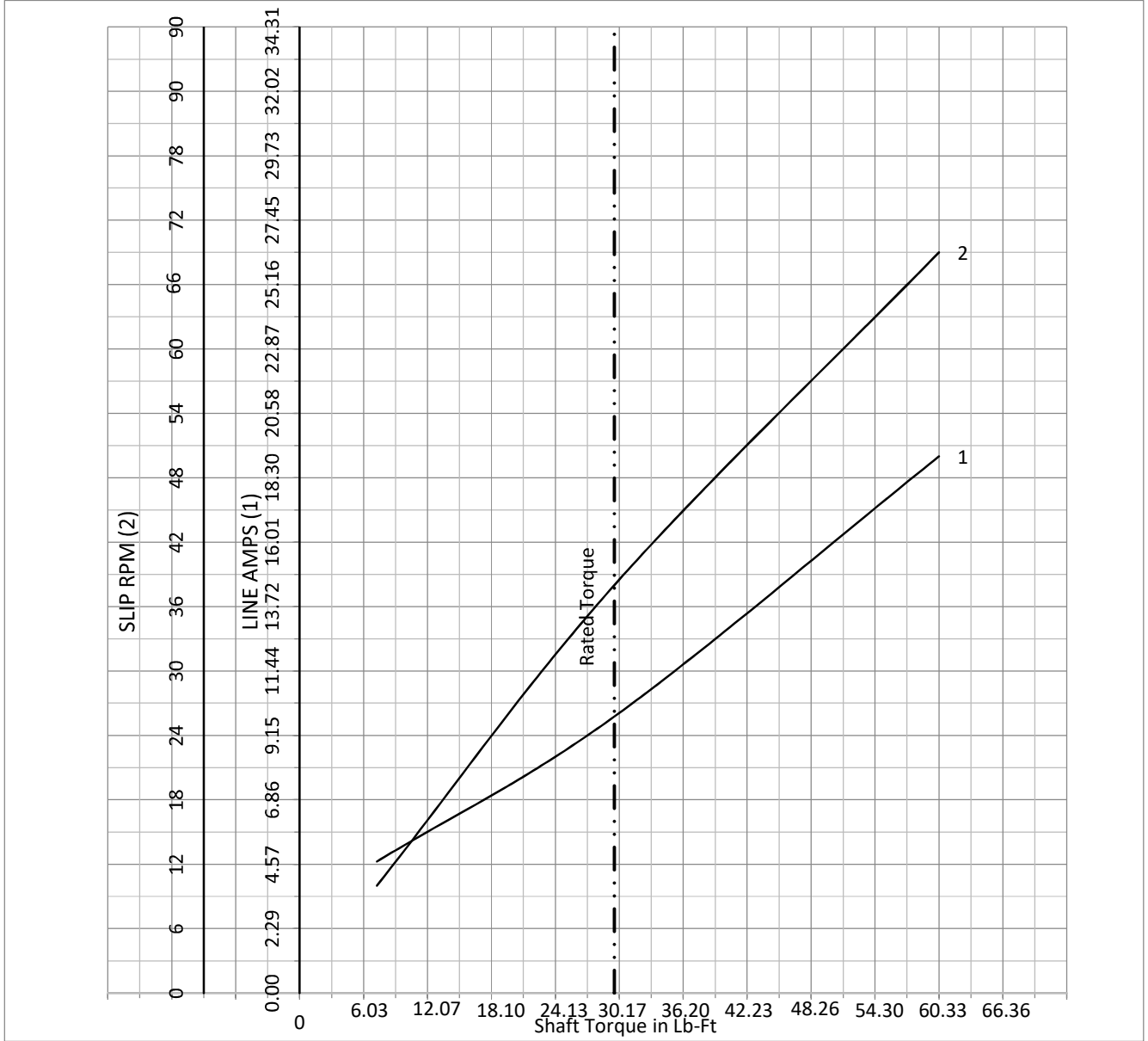
**A-C MOTOR  
 PERFORMANCE  
 CURVES**

**07WGX493**

Record: 36492

NP VOLTS	575	0	0	WYE CONN EQ CKT OHMS PER PHASE (BASE RATING, 20C)			
NP AMPS	9.8	Base Volt	575	R1	0.000	X1	0.000
HP	10	NL AMPS	4.10	R2	0.000	X2	0.000
BASE SPEED	1762	Slip (HZ)	1.27			XM	0.000
PHASE/HZ	3/60	WK2 (lb-ft <sup>2</sup> )	1.180				

Vector PWM Inverter Duty  
Variable Speed AC Motor Curves



Calculated Data

Data Valid For Nameplate Speed Range only

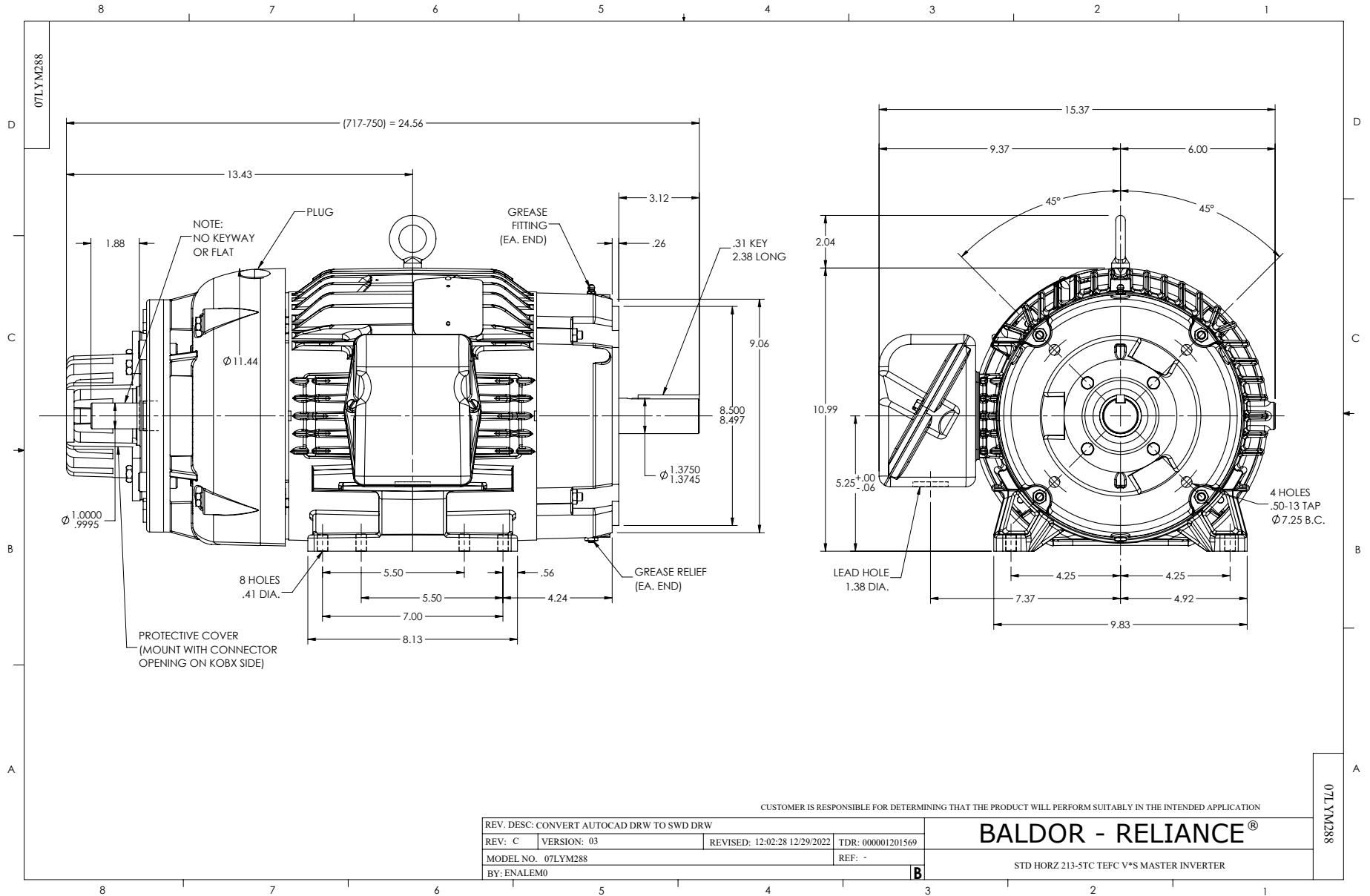


DR BY USBRRAN1  
 CK BY CD  
 APP BY USBRRAN1  
 DATE 11/5/2024

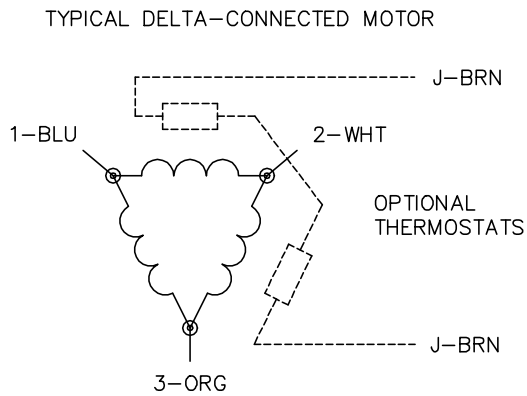
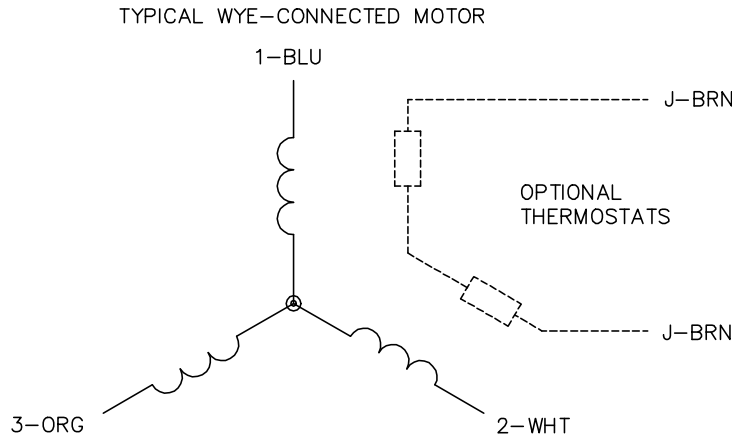
**A-C MOTOR  
PERFORMANCE  
CURVES**

**07WGX493**

Record: 36492



CD0006



NOTES:

1. THREE LEAD MOTOR MAY BE EITHER WYE CONNECTED OR DELTA CONNECTED.
2. INTERCHANGE ANY TWO LINE LEADS TO REVERSE ROTATION.
3. OPTIONAL THERMOSTATS ARE PROVIDED WHEN SPECIFIED.
4. ACTUAL NUMBER OF INTERNAL PARALLEL CIRCUITS MAY VARY.
5. LEAD COLORS ARE OPTIONAL. LEADS MUST BE NUMBERED AS SHOWN.

CD0006

REV. DESC: ADD CLASS CONN00000007		
REV. LTR: E	VERSION: 01	TDR: 000001099922
FILE: \AAA\00005\141	REVISED: 10:24:49 02/19/2019	BY: ENBRIRO
MTL: -		© □

**BALDOR - RELIANCE®**

3PH, SV, 3 LEADS, WYE OR DELTA CONNECTED

SH 1 of 1