



---

# Customer information packet

## IDNM3665T-5

5HP, 1750RPM, 3PH, 60HZ, 184TC, 0642M, GP, F1, N

Class - None

Division - Not Applicable

## Specifications

Enclosure	GP
Frame	184TC
Frame Material	Iron
Frequency	60.00 Hz
Haz Area Class and Group	None
Haz Area Division	Not Applicable
Motor Letter Type	Three Phase
Output @ Frequency	5.000 HP @ 60 HZ
Phase	3
Synchronous Speed @ Frequency	1800 RPM @ 60 HZ
Voltage @ Frequency	575.0 V @ 60 HZ
Agency Approvals	UR CSA
Ambient Temperature	40 °C
Auxiliary Box	NO AUXILLARY BOX
Auxiliary Box Lead Termination	None
Base Indicator	Rigid
Bearing Grease Type	Polyrex EM (-20F +300F)
Blower	None
Current @ Voltage	5.200 A @ 575.0 V
Design Code	B
Drip Cover	No Drip Cover
Duty Rating	CONT
Efficiency @ 100% Load	90.2 %
Electrically Isolated Bearing	Not Electrically Isolated
Feedback Device	NO FEEDBACK
Front Shaft Indicator	None
Heater Indicator	No Heater
High Voltage Full Load Amps	5.2 a
Insulation Class	F
Inverter Code	Inverter Duty
KVA Code	K

## Part detail

Revision	D
Type	AC
Mech. spec.	06F551
Base	
Status	PRD/A
Elec. spec.	06WGW570
Layout	06LYF551
Eff. date	06-05-2026
CD Diagram	CD0006
Poles	04
Leads	3#16
Proprietary	False
Created date	11-09-2020

Lifting Lugs	Standard Lifting Lugs
Locked Bearing Indicator	Locked Bearing
Max Speed	2700 rpm
Motor Lead Quantity/Wire Size	3 @ 16 AWG
Motor Lead Termination	Flying Leads
Motor Standards	NEMA
Motor Type	0642M
Mounting Arrangement	F1
Number of Poles	4
Overall Length	17.22 IN
Power Factor	80
Product Family	General Purpose
Pulley End Bearing Type	Ball
Pulley Face Code	C-Face
Pulley Shaft Indicator	Standard
Rodent Screen	None
RoHS Status	ROHS COMPLIANT
Service Factor	1.00
Shaft Diameter	1.125 IN
Shaft Ground Indicator	No Shaft Grounding
Shaft Rotation	Reversible
Shaft Slinger Indicator	No Slinger
Speed	1750 rpm
Speed Code	Single Speed
Starting Method	Direct on line
Thermal Device - Bearing	None
Thermal Device - Winding	Normally Closed Thermostat
Vibration Sensor Indicator	No Vibration Sensor
Winding Thermal 1	None
Winding Thermal 2	None

**Nameplate**

<b>NP4615L</b>			
<b>CAT NO</b>	IDNM3665T-5		
<b>SPEC.</b>	06F551W570G1	<b>ENCL</b>	TENV
<b>FRAME</b>	184TC	<b>HP</b>	5
<b>VOLTS</b>	575		
<b>MAG CUR</b>	2.8	<b>FLA</b>	5.2
<b>RPM</b>	1750	<b>RPM MAX</b>	2700
<b>HZ</b>	60	<b>PH</b>	3
		<b>CLASS</b>	F
<b>SER.F.</b>	1.00	<b>SL HZ</b>	1.7
<b>NEMA-NOM-EFF</b>	90.2	<b>WK2</b>	0.39
<b>RATING</b>	40C AMB-CONT		
<b>DE BRG</b>	6206	<b>ODE BRG</b>	6205
<b>CC</b>	010A	<b>SN</b>	
	1.5:1 CHP PWM		
	1000:1 CT/VT		

NP VOLTS	575	Base Volt	575	WYE CONN EQ CKT OHMS PER PHASE (BASE RATING, 20C)			
NP AMPS	5.2	NL AMPS	2.52	R1	1.870	X1	4.080
HP	5	Slip (HZ)	1.60	R2	1.550	X2	3.220
BASE SPEED	1752	WK <sup>2</sup> (lb-ft <sup>2</sup> )	0.390			XM	116.000
PHASE/HZ	3/60						

**Rated Full Load Data**

	RPM	HP	Torque	Volts	Freq-Hz	Amps
Base Speed	1752	5.0	15.0	575	60	5.2
Max Speed	2629	5.0	10.0	575	90	4.8
CT Min Speed	1.752	0.005	15.0	0.58	0.06	5.2

**Load Performance at Base Speed**

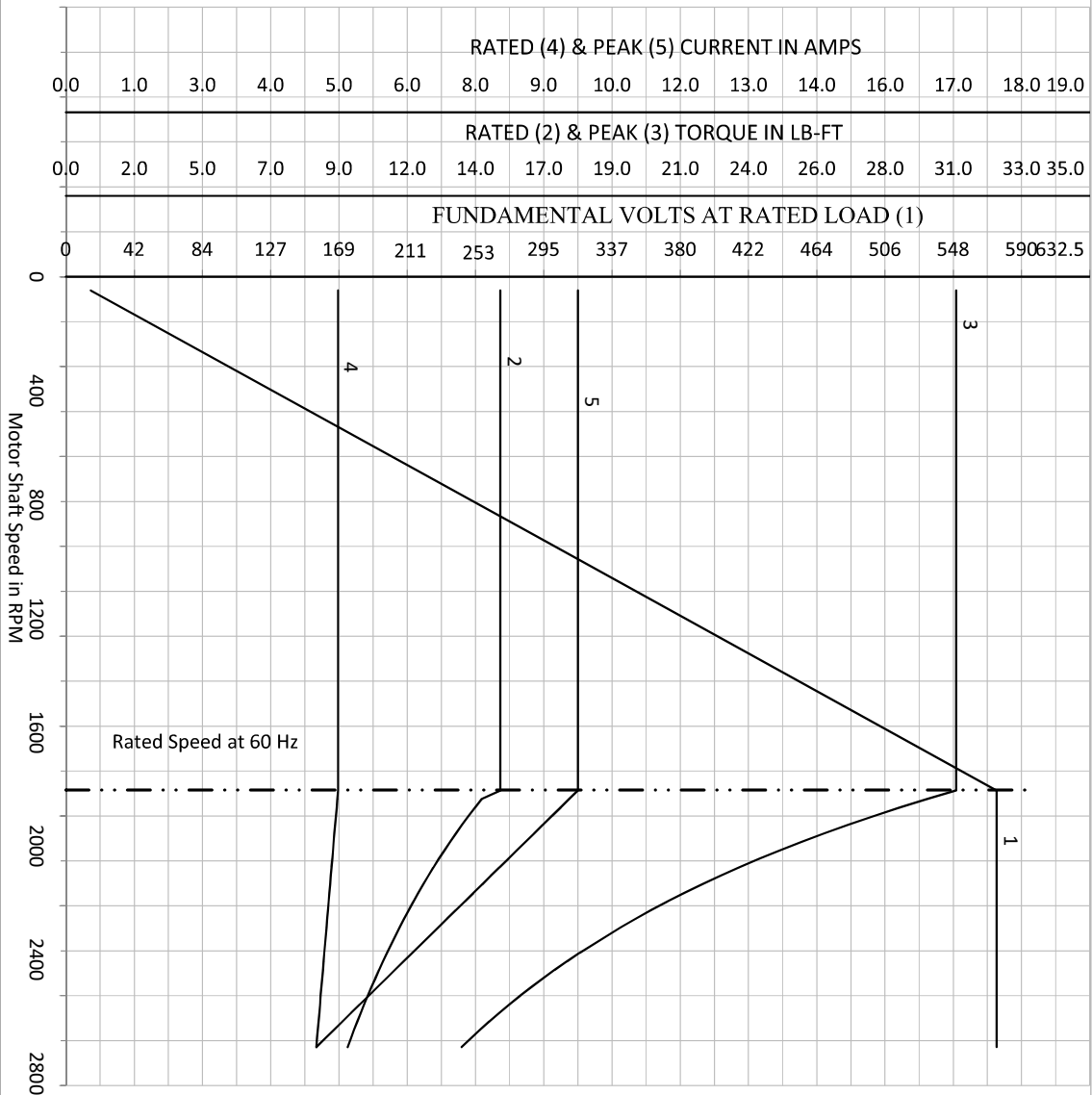
	RPM	HP	Torque	Volts	Freq-Hz	Amps
No Load	1799	0.0	0.0	575	60	2.5
1/4	1787	1.3	3.7	575	60	2.8
1/2	1776	2.5	7.5	575	60	3.3
3/4	1765	3.8	11.3	575	60	4.2
Full Load	1752	5.0	15.0	575	60	5.2
O/L	1708	10.0	30.8	575	60	9.7

Blower Data	Volts	Ph/Hz	FL Amps	LR Amps	Frame	CFM

Remarks: Calculated Data

<b>BALDOR • RELIANCE</b>	DR BY	USBRRANI	<b>A-C MOTOR PERFORMANCE CURVES</b>	<b>06WGW570</b>
	CK BY	CD		
	APP BY	USBRRANI		
	DATE	11/1/2024		
			Record: 526	

NP VOLTS	575	Base Volt	575	WYE CONN EQ. CRT OHMS PER PHASE (BASE RATING, 20C)			
NP AMPS	5.2	NL AMPS	2.52	R1	1.870	X1	4.080
HP	5	Slip (Hz)	1.60	R2	1.550	X2	3.220
BASE SPEED	1752	WK <sup>2</sup> (lb-ft <sup>2</sup> )	0.390	XM			116.000
PHASE/HZ	3/60						



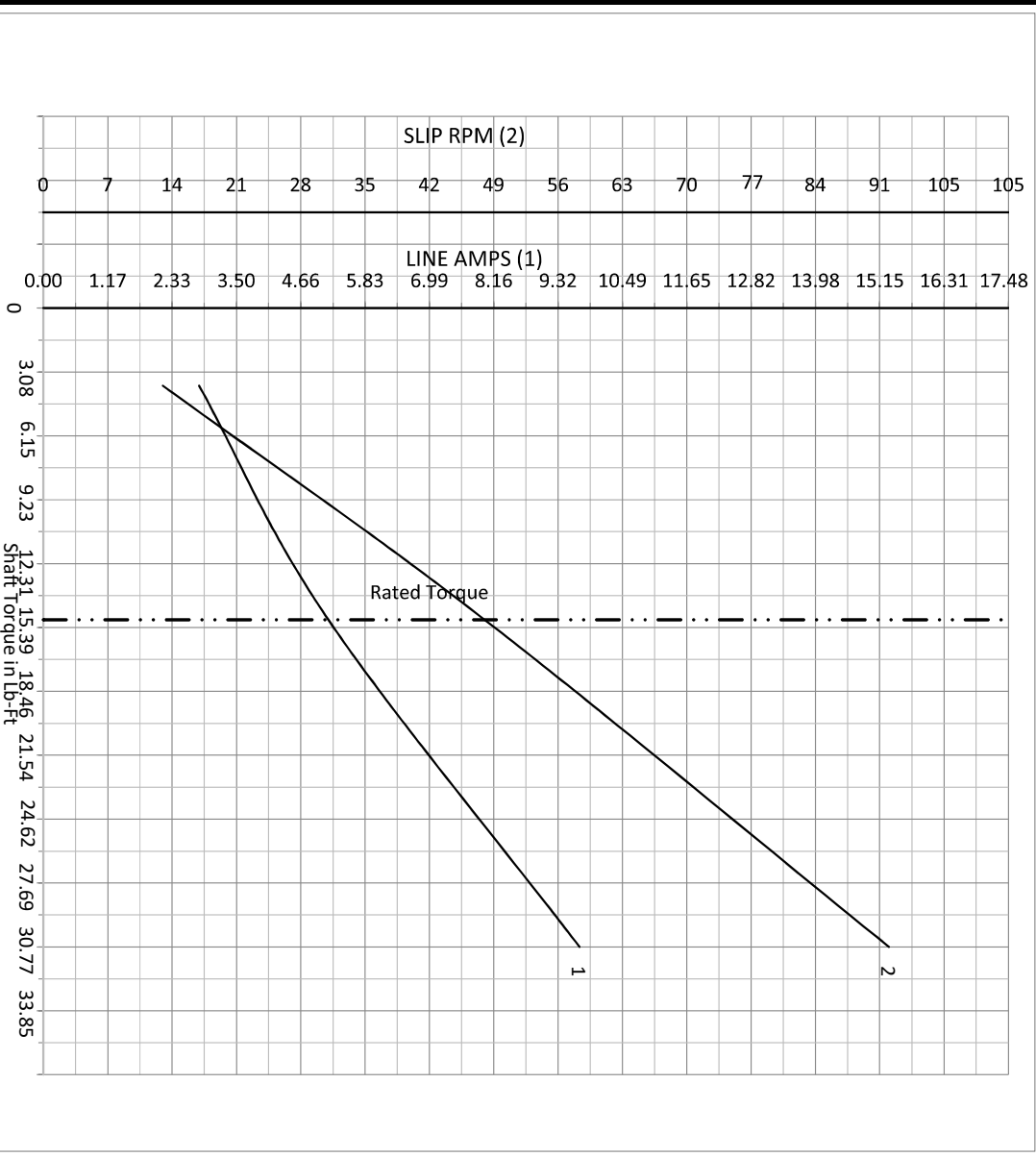
Calculated Data  
Data Valid For Nameplate Speed Range only

**BALDOR • RELIANCE**

DR BY <u>USBRRANI</u> CK BY <u>CD</u> APP BY <u>USBRRANI</u> DATE <u>11/1/2024</u>	<b>A-C MOTOR PERFORMANCE CURVES</b> <b>06WGWS70</b> Record: 526
---	---

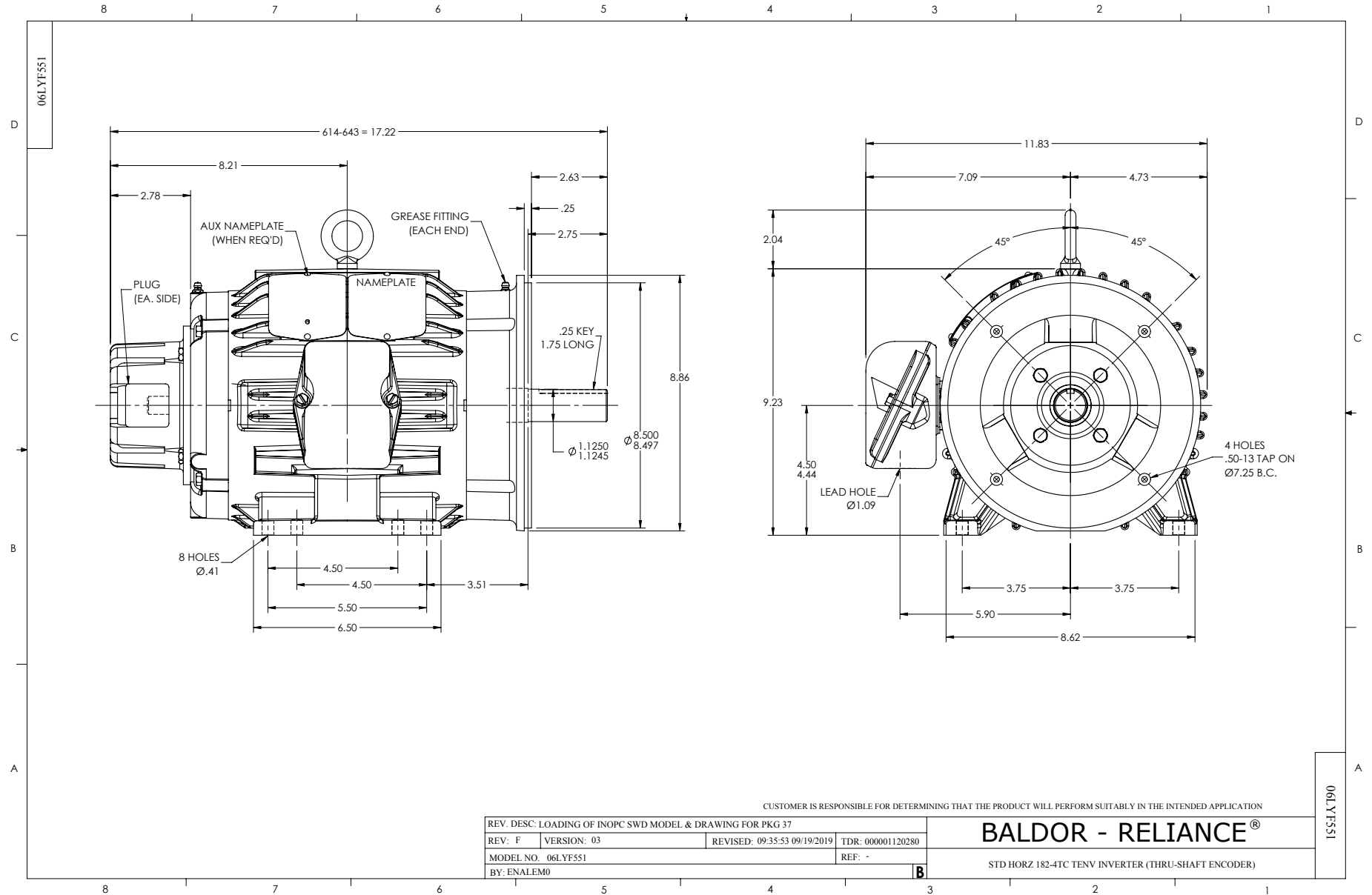
NP VOLTS	575	0	0	WYE CONN EQ. CRT OHMS PER PHASE (BASE RATING, 20C)			
NP AMPS	5.2	Base Volt	575	R1	1.870	X1	4.080
HP	5	NL AMPS	2.52	R2	1.550	X2	3.220
BASE SPEED	1752	Slip (HZ)	1.60	XM			116,000
PHASE/HZ	3/60	WK2 (lb-ft <sup>2</sup> )	0.390				

Vector PWM Inverter Duty  
Variable Speed AC Motor Curves

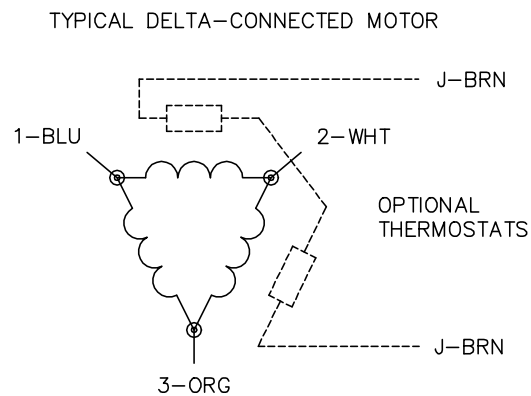
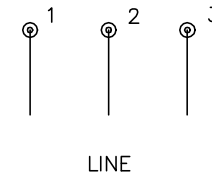
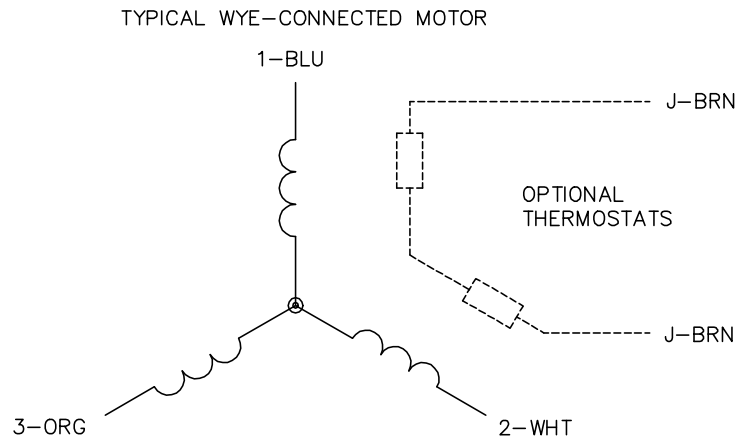


Calculated Data  
Data Valid For Nameplate Speed Range only

<b>BALDOR • RELIANCE</b>	DR BY	USBRANI	<b>A-C MOTOR PERFORMANCE CURVES</b>	<b>06WGWS70</b>
	CK BY	CD		
	APP BY	USBRANI		
	DATE	11/1/2024		
			Record:	526



CD0006



NOTES:

1. THREE LEAD MOTOR MAY BE EITHER WYE CONNECTED OR DELTA CONNECTED.
2. INTERCHANGE ANY TWO LINE LEADS TO REVERSE ROTATION.
3. OPTIONAL THERMOSTATS ARE PROVIDED WHEN SPECIFIED.
4. ACTUAL NUMBER OF INTERNAL PARALLEL CIRCUITS MAY VARY.
5. LEAD COLORS ARE OPTIONAL. LEADS MUST BE NUMBERED AS SHOWN.

CD0006

REV. DESC: ADD CLASS CONN00000007		
REV. LTR: E	VERSION: 01	TDR: 000001099922
FILE: \AAA\00005\141	REVISED: 10:24:49 02/19/2019	BY: ENBRIRO
MTL: -	© □	

**BALDOR - RELIANCE®**

3PH, SV, 3 LEADS, WYE OR DELTA CONNECTED

SH 1 of 1