

BALDOR® • RELIANCE™

Customer information packet

IDM4111T

60M 6P TEBC HOR 324T INV DUTY TSTATS

Class - None

Division - Not Applicable

Specifications

Enclosure	TEBC
Frame	324T
Frame Material	Iron
Frequency	60.00 Hz
Motor Letter Type	Three Phase
Output @ Frequency	25.000 HP @ 60 HZ
Phase	3
Synchronous Speed @ Frequency	1200 RPM @ 60 HZ
Voltage @ Frequency	230.0 V @ 60 HZ 460.0 V @ 60 HZ
XP Class and Group	None
XP Division	Not Applicable
Agency Approvals	CSA UR
Ambient Temperature	40 °C
Auxillary Box	No Auxillary Box
Auxillary Box Lead Termination	None
Base Indicator	Rigid
Bearing Grease Type	Polyrex EM (-20F +300F)
Blower	BLOWER
Current @ Voltage	32.000 A @ 460.0 V 63.000 A @ 230.0 V 69.000 A @ 208.0 V
Design Code	A
Drip Cover	No Drip Cover
Duty Rating	CONT
Efficiency @ 100% Load	93.0 %
Electrically Isolated Bearing	Not Electrically Isolated
Feedback Device	NO FEEDBACK
Front Shaft Indicator	None
Heater Indicator	No Heater
High Voltage Full Load Amps	32.0 a

Part detail

Revision	C
Type	AC
Mech. spec.	12T107
Base	
Status	PRD/A
Elec. spec.	12WGY116
Layout	12LYT107
Eff. date	01-13-2022
CD Diagram	CD0180
Poles	06
Leads	9#8
Proprietary	False
Created date	03-19-2019

Insulation Class	H
Inverter Code	Inverter Duty
KVA Code	H
Lifting Lugs	Standard Lifting Lugs
Locked Bearing Indicator	Locked Bearing
Max Speed	3900 rpm
Motor Lead Quantity/Wire Size	9 @ 8 AWG
Motor Lead Termination	Flying Leads
Motor Standards	NEMA
Motor Type	1260M
Mounting Arrangement	F1
Number of Poles	6
Overall Length	36.92 IN
Power Factor	79
Product Family	General Purpose
Pulley End Bearing Type	Ball
Pulley Face Code	Standard
Pulley Shaft Indicator	Standard
Rodent Screen	None
RoHS Status	ROHS COMPLIANT
Service Factor	1.00
Shaft Diameter	2.125 IN
Shaft Ground Indicator	No Shaft Grounding
Shaft Rotation	Reversible
Shaft Slinger Indicator	Shaft Slinger
Speed	1180 rpm
Speed Code	Single Speed
Starting Method	Direct on line
Thermal Device - Bearing	None
Thermal Device - Winding	Normally Closed Thermostat
Vibration Sensor Indicator	No Vibration Sensor
Winding Thermal 1	None
Winding Thermal 2	None

Nameplate

NP1163L	
CAT NO	IDM4111T
SPEC.	12T107Y116G1
FRAME	324T HP 25 TE
VOLTS	230/460
MAG CUR	27.6/13.8 FLA 63/32
RPM	1180 RPM MAX 3900
HZ	60 PH 3 CLASS H
SER.F.	1.00 DES A SL HZ 0.8
NEMA-NOM-EFF	93 WK2 11.5
BLWR V	PH HZ A
RATING	40C AMB-CONT
DE BRG	6312 ODE BRG 6311
CC	010A SN

AC Induction Motor Performance Data

Record # 34370

Typical performance - not guaranteed values

Winding: 12WGY116-R005		Type: 1260M	Enclosure: TEBC	
Nameplate Data			460 V, 60 Hz: High Voltage Connection	
Rated Output (HP)	25	Full Load Torque	111 LB-FT	
Volts	230/460	Start Configuration	direct on line	
Full Load Amps	63/32	Breakdown Torque	308 LB-FT	
R.P.M.	1180	Pull-up Torque	117 LB-FT	
Hz	60 Phase	3	Locked-rotor Torque	171 LB-FT
NEMA Design Code	A KVA Code	H	Starting Current	198 A
Service Factor (S.F.)	1	No-load Current	13.8 A	
NEMA Nom. Eff.	93 Power Factor	79	Line-line Res. @ 25°C	0.27033 Ω
Rating - Duty	40C AMB-CONT	Temp. Rise @ Rated Load	46°C	
		Locked-rotor Power Factor	28.3	
		Rotor inertia	11.5 LB-FT ²	

Load Characteristics 460 V, 60 Hz, 25 HP

% of Rated Load	25	50	75	100	125	150
Power Factor	43	65	75	79	81	81
Efficiency	89.1	92.8	93.5	93.2	92.6	91.5
Speed	1195.4	1191.8	1188.2	1183.9	1179.3	1172.9
Line amperes	15.6	19.7	25.4	31.9	39.2	49.1

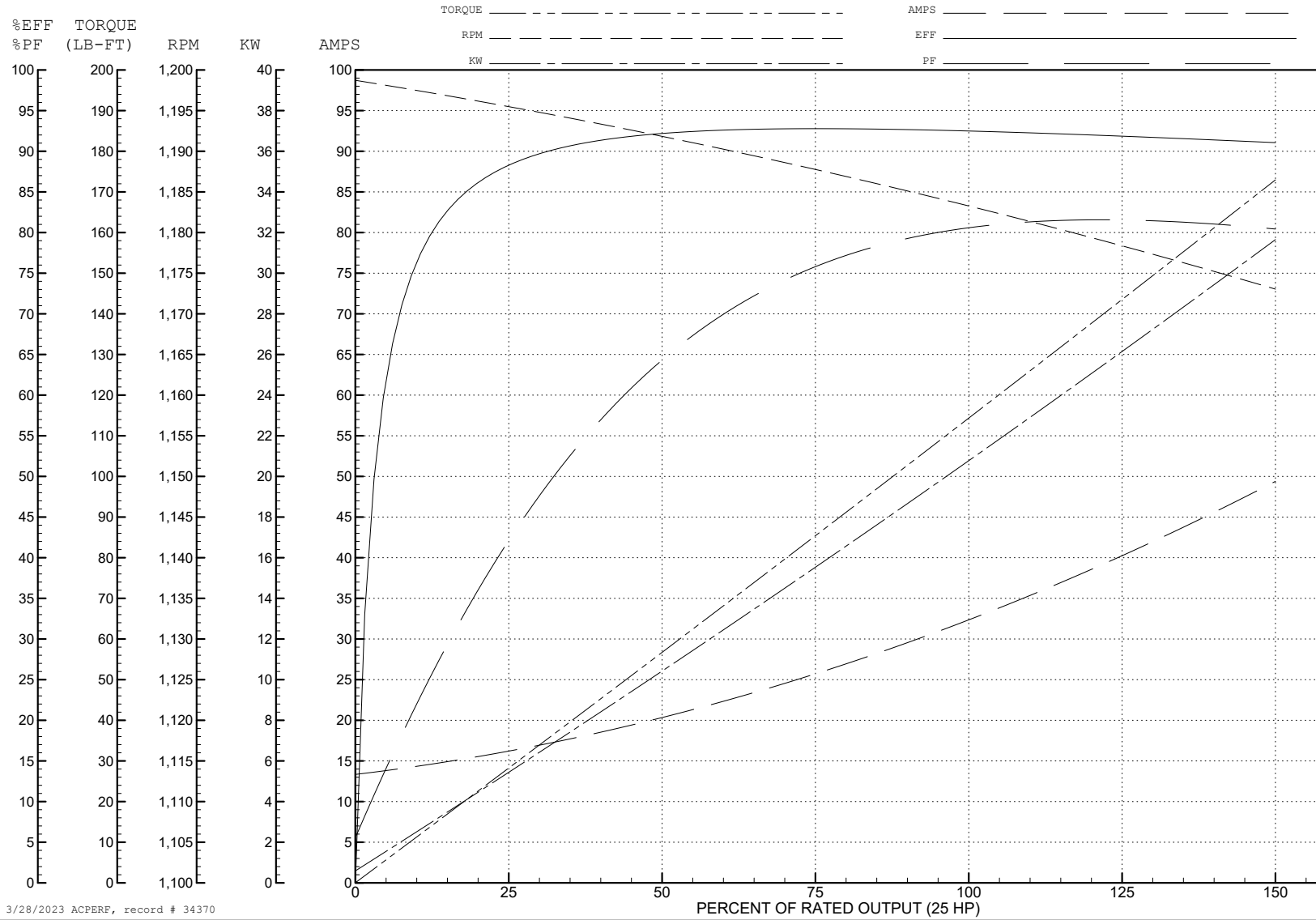
ABB Motors and Mechanical Inc.

WINDING # 12WGY116

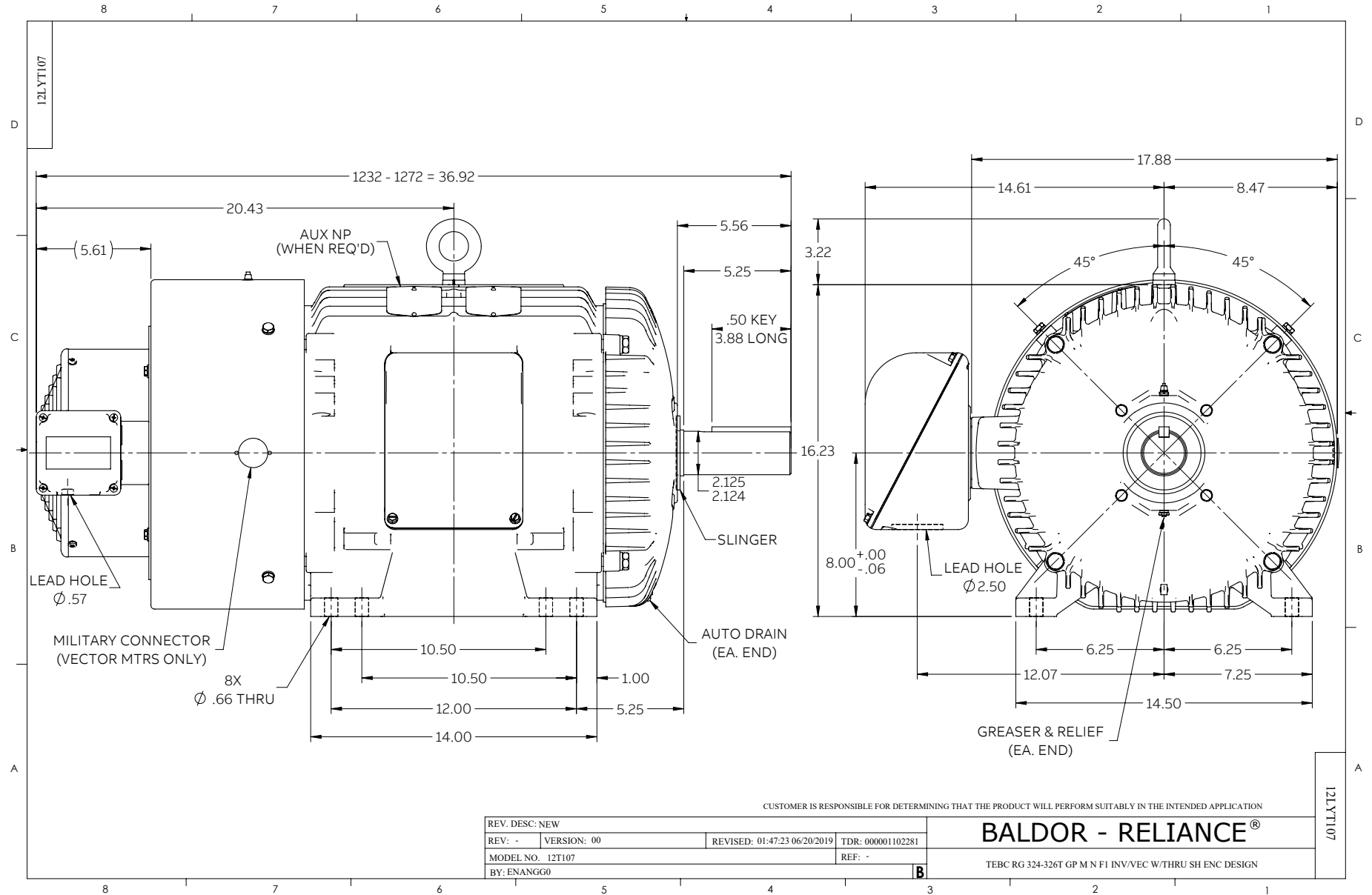
Typical performance - not guaranteed values.

25 HP 3 PH 60 HZ 1180 RPM 460 V 1260M

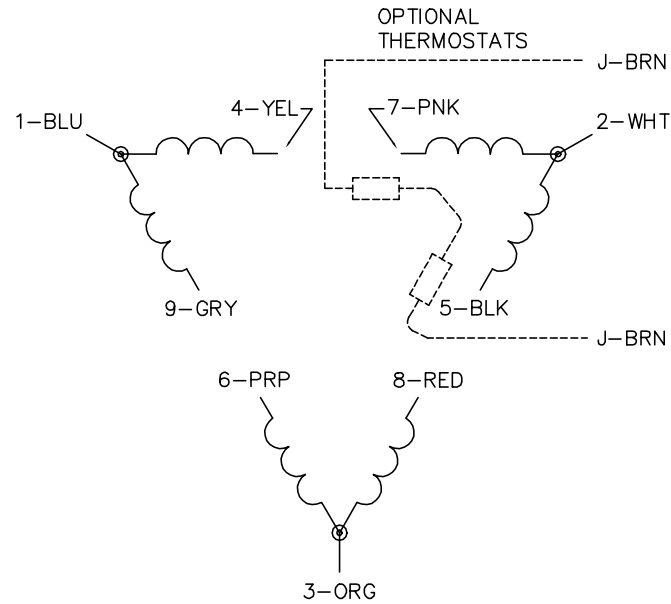
TORQUES (LB-FT): PO=308 PU=117 LR=171 LRA=198



3/28/2023 ACPERF, record # 34370



CD0180



LOW VOLTAGE
(2D)



HIGH VOLTAGE
(1D)



NOTES:

1. INTERCHANGE ANY TWO LINE LEADS TO REVERSE ROTATION.
2. OPTIONAL THERMOSTATS ARE PROVIDED WHEN SPECIFIED.
3. ACTUAL NUMBER OF INTERNAL PARALLEL CIRCUITS MAY BE A MULTIPLE OF THOSE SHOWN ABOVE.
4. LEAD COLORS ARE OPTIONAL. LEADS MUST ALWAYS BE NUMBERED AS SHOWN.

CD0180

REV. DESC: ADD CLASS CONN00000007		
REV. LTR: D	VERSION: 01	TDR: 000001099922
FILE: \AAA\00005\148	REVISED: 10:25:29 02/19/2019	BY: ENBRIRO
MTL: -	© □	

BALDOR - RELIANCE®

3PH, DV, 9 LEADS, DELTA CONNECTION

SH 1 of 1