

ABB BALDOR RELIANCE III

Customer information packet

IDM4104T

56M 4P TEBC HOR 286T T'STATS INV DUTY

Class - None

Division - Not Applicable

Specifications

Enclosure	TEBC
Frame	286T
Frame Material	Iron
Frequency	60.00 Hz
Haz Area Class and Group	None
Haz Area Division	Not Applicable
Motor Letter Type	Three Phase
Output @ Frequency	30.000 HP @ 60 HZ
Phase	3
Synchronous Speed @ Frequency	1800 RPM @ 60 HZ
Voltage @ Frequency	230.0 V @ 60 HZ 460.0 V @ 60 HZ
Agency Approvals	CSA UR
Ambient Temperature	40 °C
Auxiliary Box	NO AUXILLARY BOX
Auxiliary Box Lead Termination	None
Base Indicator	Rigid
Bearing Grease Type	Polyrex EM (-20F +300F)
Blower	BLOWER
Current @ Voltage	38.000 A @ 460.0 V 76.000 A @ 230.0 V 78.000 A @ 208.0 V
Design Code	A
Drip Cover	No Drip Cover
Duty Rating	CONT
Efficiency @ 100% Load	93.6 %
Electrically Isolated Bearing	Not Electrically Isolated
Feedback Device	NO FEEDBACK
Front Shaft Indicator	None
Heater Indicator	No Heater
High Voltage Full Load Amps	38.0 a

Part Detail

Revision	J
Type	AC
Mech. spec.	10T004
Base	
Status	PRD/A
Elec. spec.	10WGY538
Layout	10LYT004
Eff. date	06-05-2026
CD Diagram	CD0180
Poles	04
Leads	9#8
Proprietary	False
Created date	03-19-2019

Insulation Class	H
Inverter Code	Inverter Duty
KVA Code	J
Lifting Lugs	Standard Lifting Lugs
Locked Bearing Indicator	Locked Bearing
Max Speed	4000 rpm
Motor Lead Quantity/Wire Size	9 @ 8 AWG
Motor Lead Termination	Flying Leads
Motor Standards	NEMA
Motor Type	1056M
Mounting Arrangement	F1
Number of Poles	4
Overall Length	34.48 IN
Power Factor	80
Product Family	General Purpose
Pulley End Bearing Type	Ball
Pulley Face Code	Standard
Pulley Shaft Indicator	Standard
Rodent Screen	None
RoHS Status	ROHS COMPLIANT
Service Factor	1.00
Shaft Diameter	1.875 IN
Shaft Ground Indicator	No Shaft Grounding
Shaft Rotation	Reversible
Shaft Slinger Indicator	Shaft Slinger
Speed	1760 rpm
Speed Code	Single Speed
Starting Method	Direct on line
Thermal Device - Bearing	None
Thermal Device - Winding	Normally Closed Thermostat
Vibration Sensor Indicator	No Vibration Sensor
Winding Thermal 1	None
Winding Thermal 2	None

Nameplate

NP1163L	
CAT NO	IDM4104T
SPEC.	10T004Y538G1
FRAME	286T HP 30 TE
VOLTS	230/460
MAG CUR	39.6/19.8 FLA 76/38
RPM	1760 RPM MAX 2700
HZ	60 PH 3 CLASS H
SER.F.	1.00 DES A SL HZ 1.3
NEMA-NOM-EFF	93.6 WK2 4.46
BLWR V	PH HZ A
RATING	40C AMB-CONT
DE BRG	6311 ODE BRG 6309
CC	010A SN
	1000:1 CT, 1000:1 VT

Accessories

Part number	Description	Multiplier
10-1305	C FACE KIT	A8

ABB BALDOR/460 RELIANCE III		CUSTOMER INFORMATION PACKET		MAX SAFE RPM 2700		WYE CONN EQ CKT OHMS PER PHASE (BASE RATING, 20C)			
HP 30 HP		NL AMPS 17.90		Base Volt 460		R1	0.107	X1	0.492
BASE SPEED 1777		Slips(HZ) 0.78		WK2 (LB-FT2) 4.470		R2	0.515	X2	0.443
PHASE/HZ 3/60						R2B	0.075	X2B	0.692
						R2E	0.022	XM	12.800

Rated Full Load Data

	RPM	HP	Torque	Volts	Freq-Hz	Amps
Base Speed	1776.5	30.0	88.7	460	60	37.6
Max Speed	2664	30.0	59.1	460	90	33.4
Min Speed	0	0.0	88.7	16.78	0.78	37.6

Load Performance at Base Speed

	RPM	HP	Torque	Volts	Freq-Hz	Amps
No Load	1798.9	0.0	0.0	460	60	17.9
1/4	1792.2	7.5	22.1	460	60	19.8
1/2	1787.6	15.0	44.1	460	60	24.3
3/4	1782.4	22.5	66.2	460	60	30.7
Full Load	1776.5	30.0	88.7	460	60	37.6
O/L	1749	60.0	180.0	460	60	73.0

Blower Data	Volts	Ph/Hz	FL Amps	LR Amps	Frame	CFM

Remarks: Calculated Data
Vector PWM Inverter Duty



DR BY USBRRAN1
 CK BY
 APP BY USBRRAN1
 DATE 8/24/2017

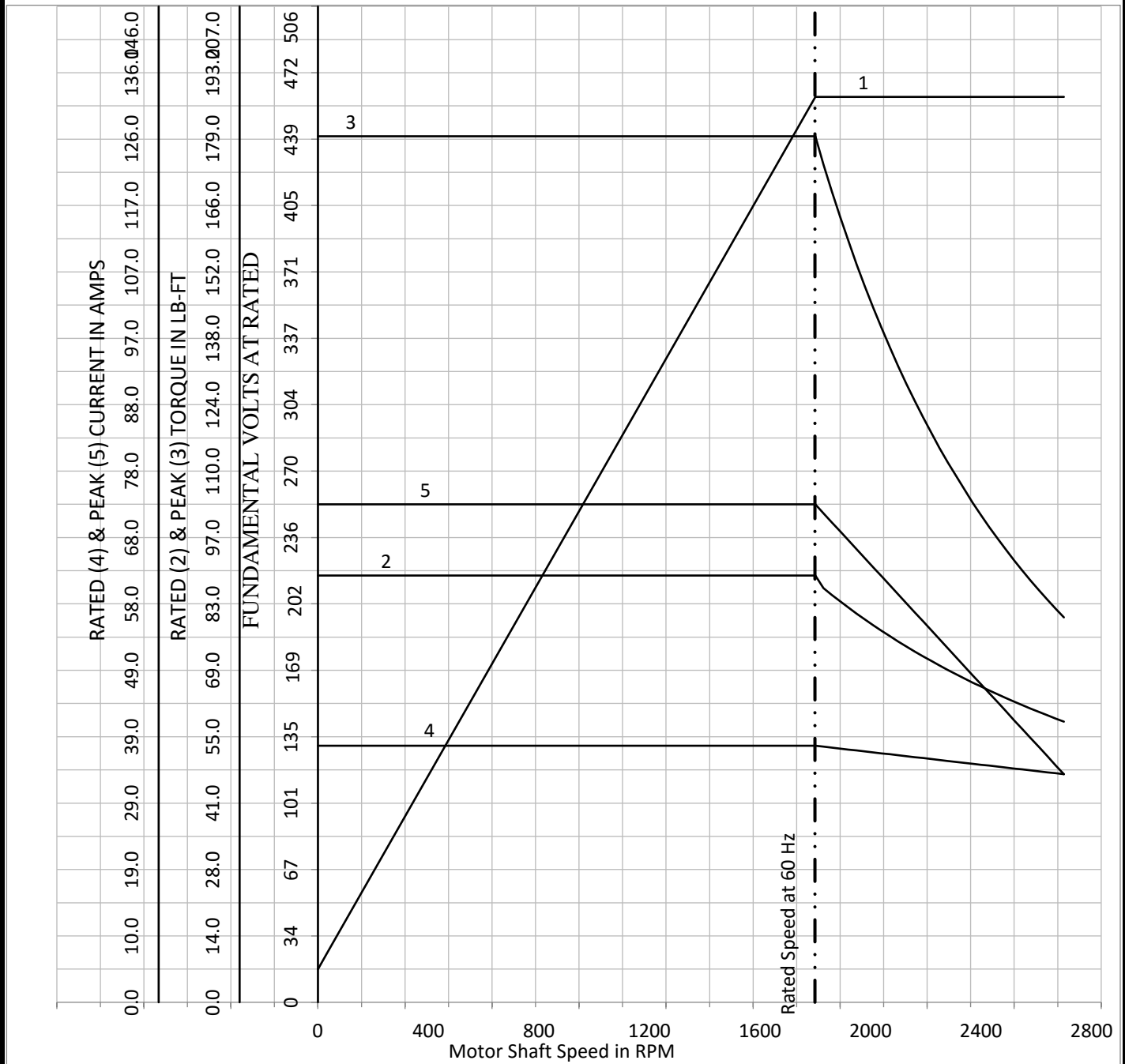
A-C MOTOR PERFORMANCE CURVES
10WGY538
 Record: 52925

MAX SAFE RPM	2700
Base Volt	460
NL AMPS	17.90
Slips(HZ)	0.78
WK2 (LB-FT ²)	4.470

WYE CONN EQ CKT OHMS PER PHASE (BASE RATING, 20C)			
R1	0.107	X1	0.492
R2	0.515	X2	0.443
R2B	0.075	X2B	0.692
R2E	0.022	XM	12.800

HP 30 HP
BASE SPEED 1776.5
PHASE/HZ 3/60

Vector PWM Inverter Duty
Variable Speed AC Motor Curves



Calculated Data

Data Valid For Nameplate Speed Range only



DR BY USBRRAN1
CK BY
APP BY USBRRAN1
DATE 8/24/2017

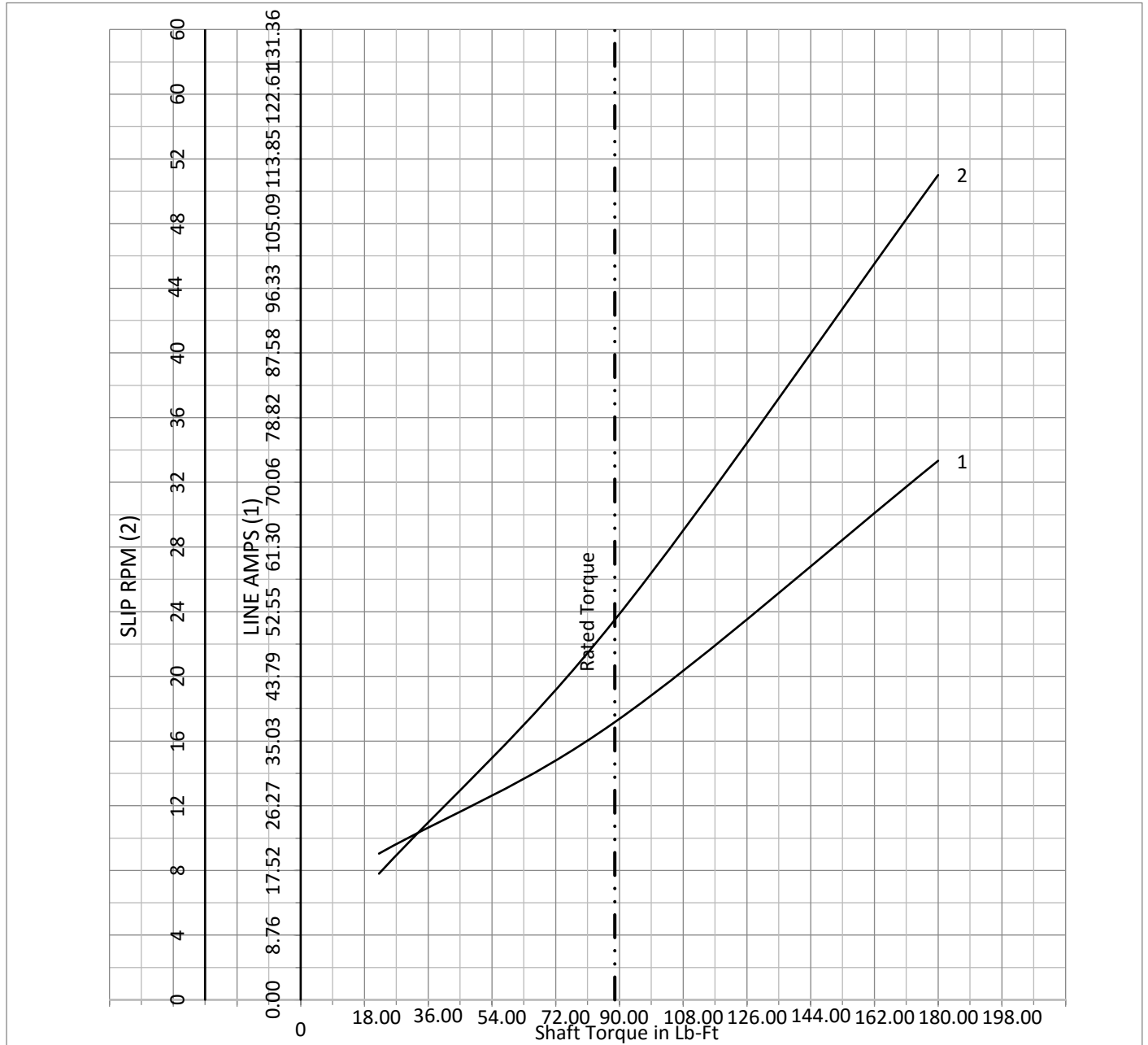
A-C MOTOR PERFORMANCE CURVES
10WGY538
Record: 52925

MAX SAFE RPM	2700
Base Volt	460
NL AMPS	17.90
Slips(HZ)	0.78
WK2 (LB-FT2)	4.470

WYE CONN EQ CKT OHMS PER PHASE (BASE RATING, 20C)			
R1	0.107	X1	0.492
R2	0.515	X2	0.443
R2B	0.075	X2B	0.692
R2E	0.022	XM	12.800

HP 30 HP
 BASE SPEED 1776.5
 PHASE/HZ 3/60

Vector PWM Inverter Duty
 Variable Speed AC Motor Curves



Calculated Data

Data Valid For Nameplate Speed Range only

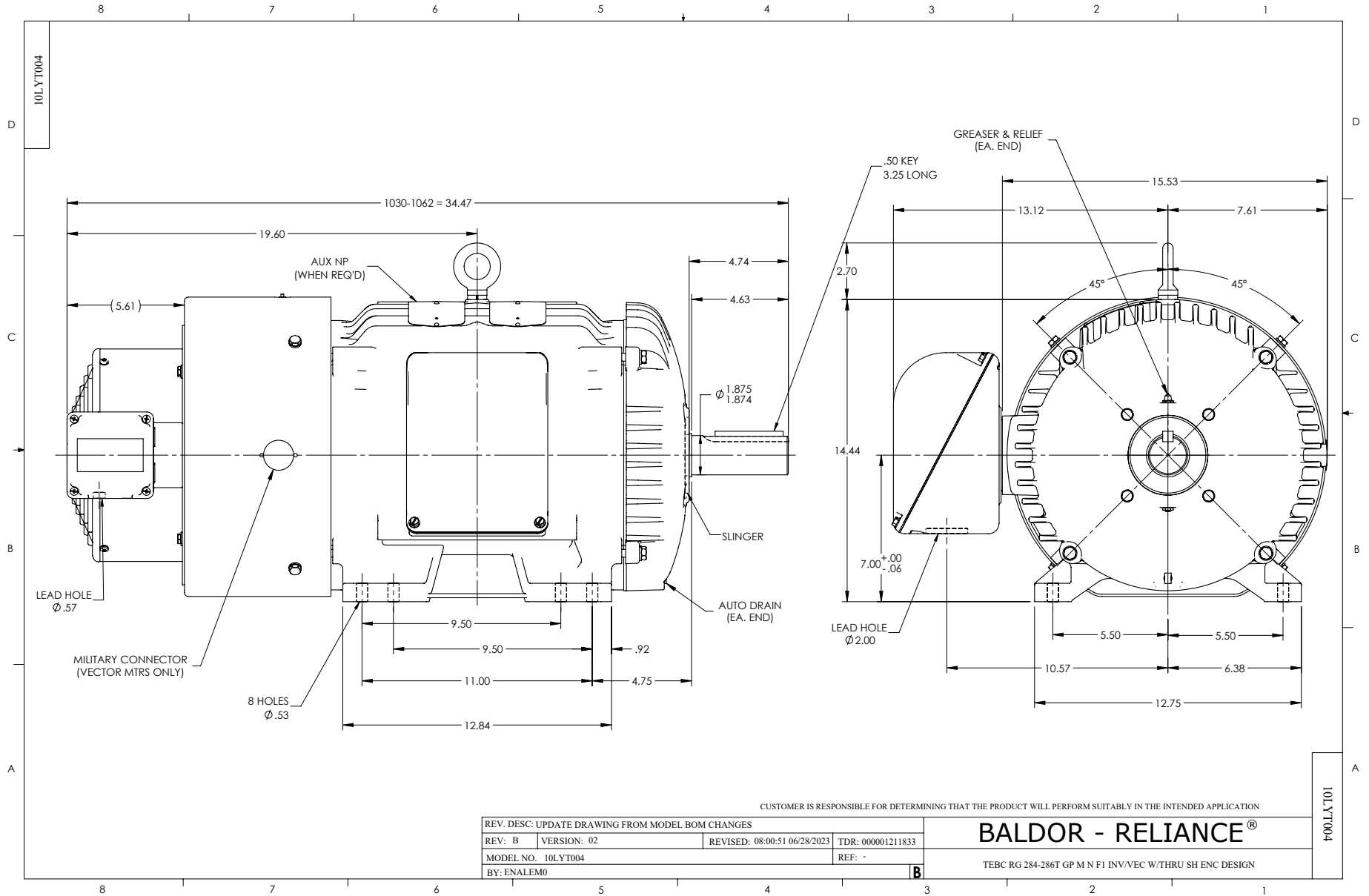


DR BY USBRRAN1
 CK BY
 APP BY USBRRAN1
 DATE 8/24/2017

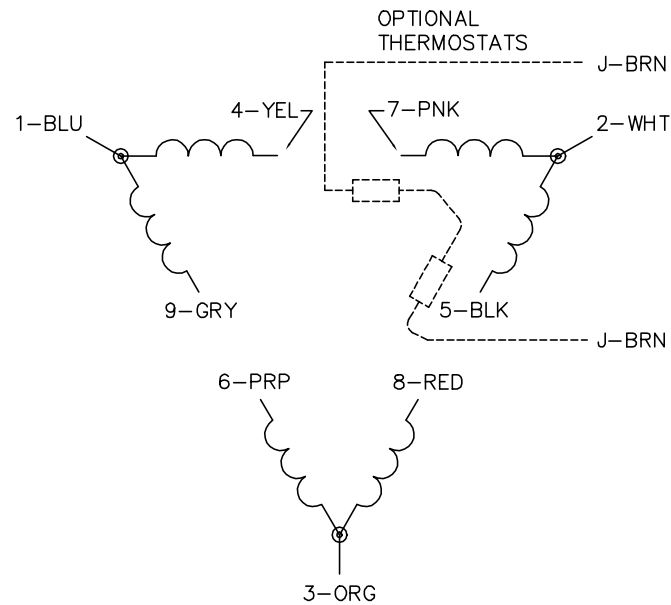
**A-C MOTOR
 PERFORMANCE
 CURVES**

10WGY538

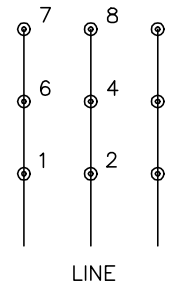
Record: 52925



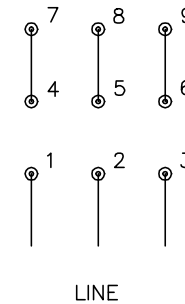
CD0180



LOW VOLTAGE
(2D)



HIGH VOLTAGE
(1D)



NOTES:

1. INTERCHANGE ANY TWO LINE LEADS TO REVERSE ROTATION.
2. OPTIONAL THERMOSTATS ARE PROVIDED WHEN SPECIFIED.
3. ACTUAL NUMBER OF INTERNAL PARALLEL CIRCUITS MAY BE A MULTIPLE OF THOSE SHOWN ABOVE.
4. LEAD COLORS ARE OPTIONAL. LEADS MUST ALWAYS BE NUMBERED AS SHOWN.

CD0180

REV. DESC: ADD CLASS CONN00000007		
REV. LTR: D	VERSION: 01	TDR: 000001099922
FILE: \AAA\00005\148	REVISED: 10: 25: 29 02/19/2019	BY: ENBRIRO
MTL: -	© □	

BALDOR - RELIANCE®

3PH, DV, 9 LEADS, DELTA CONNECTION

SH 1 of 1