



---

# Customer information packet

## IDM3665T-5

5HP, 1750RPM, 3PH, 60HZ, 184TC, 0640M, TEBC, F1

Class - None

Division - Not Applicable

## Specifications

Enclosure	TEBC
Frame	184TC
Frame Material	Iron
Frequency	60.00 Hz
Haz Area Class and Group	None
Haz Area Division	Not Applicable
Motor Letter Type	Three Phase
Output @ Frequency	5.000 HP @ 60 HZ
Phase	3
Synchronous Speed @ Frequency	1800 RPM @ 60 HZ
Voltage @ Frequency	575.0 V @ 60 HZ
Agency Approvals	UR CSA
Ambient Temperature	40 °C
Auxillary Box	No Auxillary Box
Auxillary Box Lead Termination	None
Base Indicator	Rigid
Bearing Grease Type	Polyrex EM (-20F +300F)
Blower	115V 1-Phase EXT
Current @ Voltage	5.200 A @ 575.0 V
Design Code	B
Drip Cover	No Drip Cover
Duty Rating	CONT
Efficiency @ 100% Load	90.2 %
Electrically Isolated Bearing	Not Electrically Isolated
Feedback Device	NO FEEDBACK
Front Face Code	Encoder/Feedback Device
Front Shaft Indicator	None
Heater Indicator	No Heater
High Voltage Full Load Amps	5.2 a
Insulation Class	H
Inverter Code	Inverter Duty

## Part detail

Revision	AC
Type	AC
Mech. spec.	06F552
Base	
Status	PRD/A
Elec. spec.	06WGW357
Layout	06LYF552
Eff. date	05-06-2024
CD Diagram	CD0006
Poles	04
Leads	3#16
Proprietary	False
Created date	01-01-0001

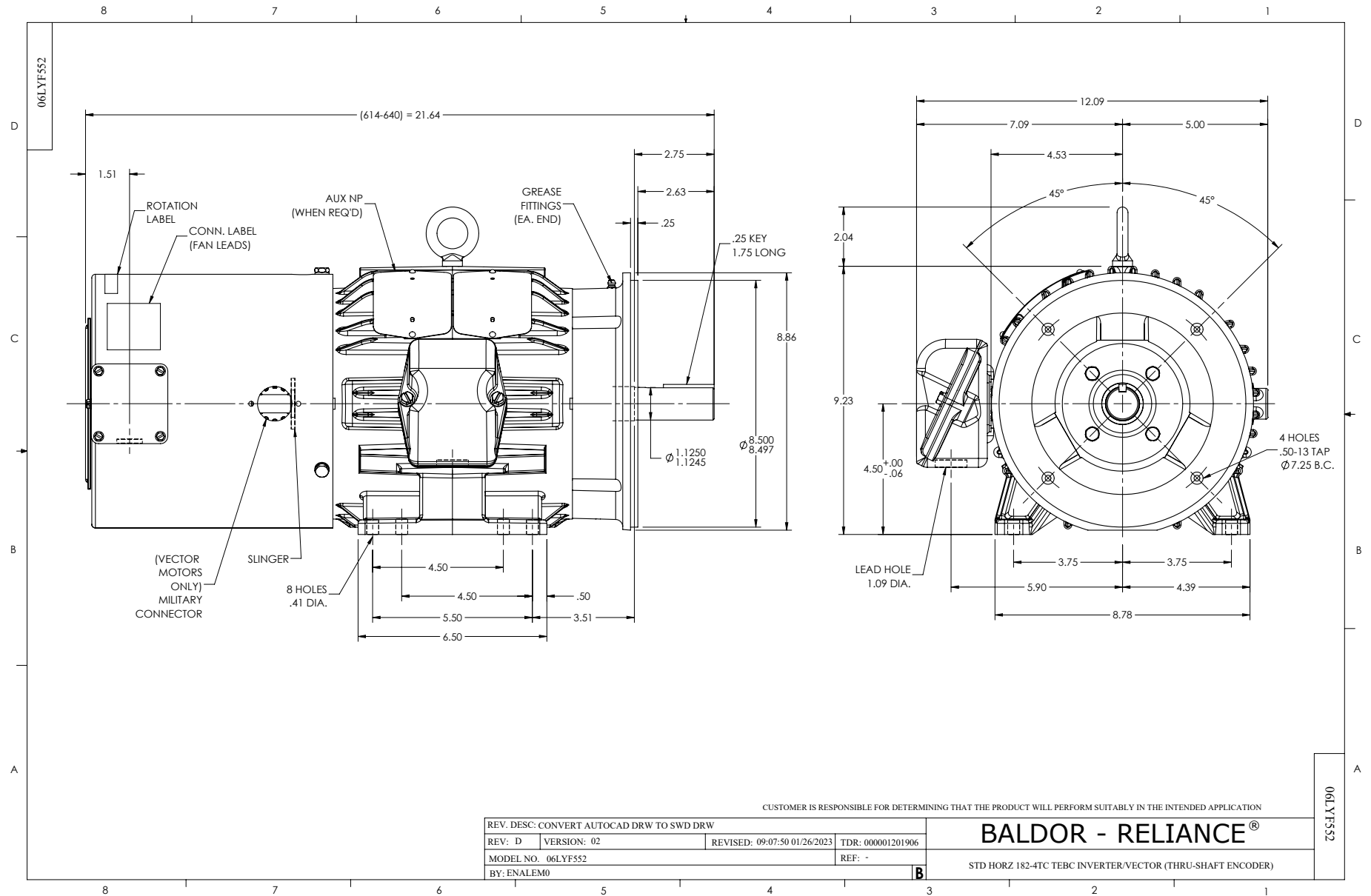
<b>KVA Code</b>	J
<b>Lifting Lugs</b>	Standard Lifting Lugs
<b>Locked Bearing Indicator</b>	Locked Bearing
<b>Max Speed</b>	6000 rpm
<b>Motor Lead Exit</b>	Ko Box
<b>Motor Lead Quantity/Wire Size</b>	3 @ 16 AWG
<b>Motor Lead Termination</b>	Flying Leads
<b>Motor Standards</b>	NEMA
<b>Motor Type</b>	0640M
<b>Mounting Arrangement</b>	F1
<b>Number of Poles</b>	4
<b>Overall Length</b>	21.71 IN
<b>Power Factor</b>	80
<b>Product Family</b>	General Purpose
<b>Pulley End Bearing Type</b>	Ball
<b>Pulley Face Code</b>	C-Face
<b>Pulley Shaft Indicator</b>	Standard
<b>Rodent Screen</b>	None
<b>Service Factor</b>	1.00
<b>Shaft Diameter</b>	1.125 IN
<b>Shaft Extension Location</b>	Pulley End
<b>Shaft Ground Indicator</b>	No Shaft Grounding
<b>Shaft Rotation</b>	Reversible
<b>Shaft Slinger Indicator</b>	No Slinger
<b>Speed</b>	1750 rpm
<b>Speed Code</b>	Single Speed
<b>Starting Method</b>	Direct on line
<b>Thermal Device - Bearing</b>	None
<b>Thermal Device - Winding</b>	Normally Closed Thermostat
<b>Vibration Sensor Indicator</b>	No Vibration Sensor
<b>Winding Thermal 1</b>	None
<b>Winding Thermal 2</b>	None

**Nameplate**

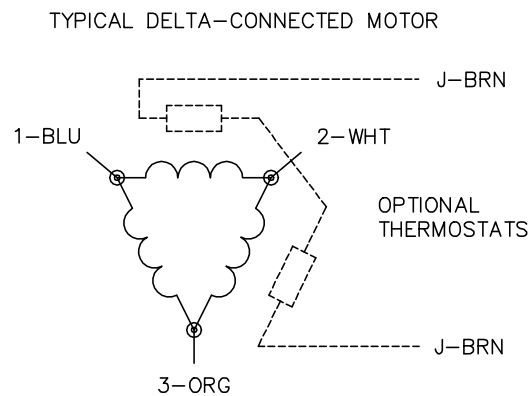
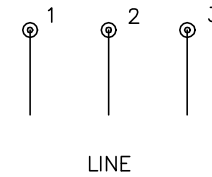
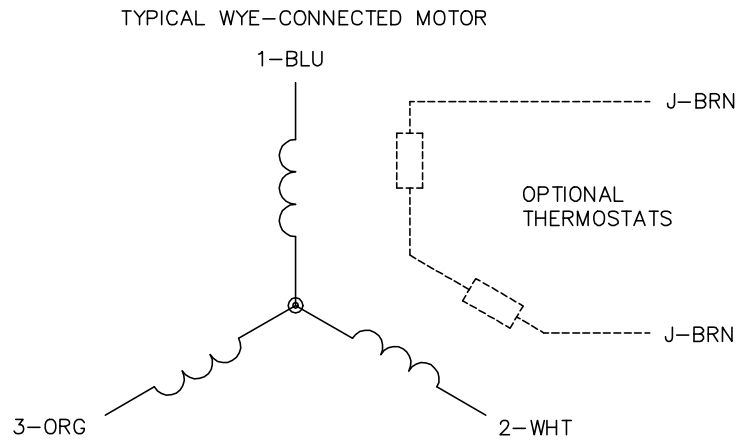
<b>NP1162L</b>									
<b>CAT NO</b>	IDM3665T-5								
<b>SPEC.</b>	06F552W357G1								
<b>FRAME</b>	184TC	<b>HP</b>	5 TE						
<b>VOLTS</b>	575								
<b>MAG CUR</b>	2.7	<b>FLA</b>	5.2						
<b>RPM</b>	1750	<b>RPM MAX</b>	6000						
<b>HZ</b>	60	<b>PH</b>	3	<b>CLASS</b>	H				
<b>SER.F.</b>	1.00	<b>DES</b>	B	<b>SL HZ</b>	1.7				
<b>NEMA-NOM-EFF</b>	90.2	<b>WK2</b>	0.37						
<b>BLWR V</b>	115	<b>PH</b>	1	<b>HZ</b>	60	<b>A</b>	.26		
<b>RATING</b>	40C AMB-CONT								
<b>DE BRG</b>	6206	<b>ODE BRG</b>	6205						
<b>CC</b>	010A	<b>SN</b>							







CD0006



NOTES:

1. THREE LEAD MOTOR MAY BE EITHER WYE CONNECTED OR DELTA CONNECTED.
2. INTERCHANGE ANY TWO LINE LEADS TO REVERSE ROTATION.
3. OPTIONAL THERMOSTATS ARE PROVIDED WHEN SPECIFIED.
4. ACTUAL NUMBER OF INTERNAL PARALLEL CIRCUITS MAY VARY.
5. LEAD COLORS ARE OPTIONAL. LEADS MUST BE NUMBERED AS SHOWN.

CD0006

REV. DESC: ADD CLASS CONN00000007		
REV. LTR: E	VERSION: 01	TDR: 000001099922
FILE: \AAA\00005\141	REVISED: 10:24:49 02/19/2019	BY: ENBRIRO
MTL: -		© □

**BALDOR - RELIANCE®**

3PH, SV, 3 LEADS, WYE OR DELTA CONNECTED

SH 1 of 1