

# ABB BALDOR RELIANCE III

---

## Customer information packet

### IDM3587T

2HP, 1760RPM, 3PH, 60HZ, 145TC, 0526M, TEBC, F1

Class - None

Division - Not Applicable

**Specifications**

<b>Enclosure</b>	TEBC
<b>Frame</b>	145TC
<b>Frame Material</b>	Iron
<b>Frequency</b>	60.00 Hz
<b>Haz Area Class and Group</b>	None
<b>Haz Area Division</b>	Not Applicable
<b>Motor Letter Type</b>	Three Phase
<b>Output @ Frequency</b>	2.000 HP @ 60 HZ
<b>Phase</b>	3
<b>Synchronous Speed @ Frequency</b>	1800 RPM @ 60 HZ
<b>Voltage @ Frequency</b>	230.0 V @ 60 HZ 460.0 V @ 60 HZ
<b>Agency Approvals</b>	CSA UR
<b>Ambient Temperature</b>	40 °C
<b>Auxiliary Box</b>	NO AUXILLARY BOX
<b>Auxiliary Box Lead Termination</b>	None
<b>Base Indicator</b>	Rigid
<b>Bearing Grease Type</b>	Polyrex EM (-20F +300F)
<b>Blower</b>	BLOWER
<b>Current @ Voltage</b>	2.800 A @ 460.0 V 5.600 A @ 230.0 V 5.800 A @ 208.0 V
<b>Design Code</b>	B
<b>Drip Cover</b>	No Drip Cover
<b>Duty Rating</b>	CONT
<b>Efficiency @ 100% Load</b>	86.5 %
<b>Electrically Isolated Bearing</b>	Not Electrically Isolated
<b>Feedback Device</b>	NO FEEDBACK
<b>Front Shaft Indicator</b>	None
<b>Heater Indicator</b>	No Heater
<b>High Voltage Full Load Amps</b>	2.8 a

**Part Detail**

<b>Revision</b>	E
<b>Type</b>	AC
<b>Mech. spec.</b>	05E535
<b>Base</b>	
<b>Status</b>	PRD/A
<b>Elec. spec.</b>	05WGX509
<b>Layout</b>	05LYE535
<b>Eff. date</b>	09-30-2025
<b>CD Diagram</b>	CD0005
<b>Poles</b>	04
<b>Leads</b>	9#18
<b>Proprietary</b>	False
<b>Created date</b>	03-11-2022

<b>Insulation Class</b>	H
<b>Inverter Code</b>	Inverter Ready
<b>KVA Code</b>	L
<b>Lifting Lugs</b>	Standard Lifting Lugs
<b>Locked Bearing Indicator</b>	Locked Bearing
<b>Max Speed</b>	2700 rpm
<b>Motor Lead Quantity/Wire Size</b>	9 @ 18 AWG
<b>Motor Lead Termination</b>	Flying Leads
<b>Motor Standards</b>	NEMA
<b>Motor Type</b>	0526M
<b>Mounting Arrangement</b>	F1
<b>Number of Poles</b>	4
<b>Overall Length</b>	19.15 IN
<b>Power Factor</b>	76
<b>Product Family</b>	General Purpose
<b>Pulley End Bearing Type</b>	Ball
<b>Pulley Face Code</b>	C-Face
<b>Pulley Shaft Indicator</b>	Standard
<b>Rodent Screen</b>	None
<b>Service Factor</b>	1.00
<b>Shaft Diameter</b>	0.875 IN
<b>Shaft Ground Indicator</b>	No Shaft Grounding
<b>Shaft Rotation</b>	Reversible
<b>Shaft Slinger Indicator</b>	Shaft Slinger
<b>Speed</b>	1760 rpm
<b>Speed Code</b>	Single Speed
<b>Starting Method</b>	Direct on line
<b>Thermal Device - Bearing</b>	None
<b>Thermal Device - Winding</b>	Normally Closed Thermostat
<b>Vibration Sensor Indicator</b>	No Vibration Sensor
<b>Winding Thermal 1</b>	None
<b>Winding Thermal 2</b>	None

**Nameplate**

<b>NP4009L</b>									
<b>CAT.NO.</b>	IDM3587T								
<b>SPEC.</b>	05E535X509G1								
<b>FRAME</b>	145TC	<b>H.P.</b>	2 TE						
<b>VOLTS</b>	230/460								
<b>MAG. CUR.</b>	3.4/1.7	<b>F.L. AMPS</b>	5.6/2.8						
<b>R.P.M.</b>	1760	<b>R.P.M. MAX</b>	2700						
<b>HZ.</b>	60	<b>PH.</b>	3	<b>CLASS</b>	H				
<b>SER.F.</b>	1.00	<b>DES.</b>	B	<b>SL HZ</b>	1.33				
<b>NEMA NOM. EFF.</b>	86.5	<b>WK2</b>	0.189						
<b>BLOWER</b>	<b>V</b>	115	<b>PH</b>	1	<b>HZ</b>	60	<b>AMPS</b>	0.5	
<b>RATING</b>	40C AMB-CONT								
<b>DE</b>	6205	<b>ODE</b>	6203						
<b>CC</b>	010A	<b>SN</b>							
	1000:1 CT/VT								

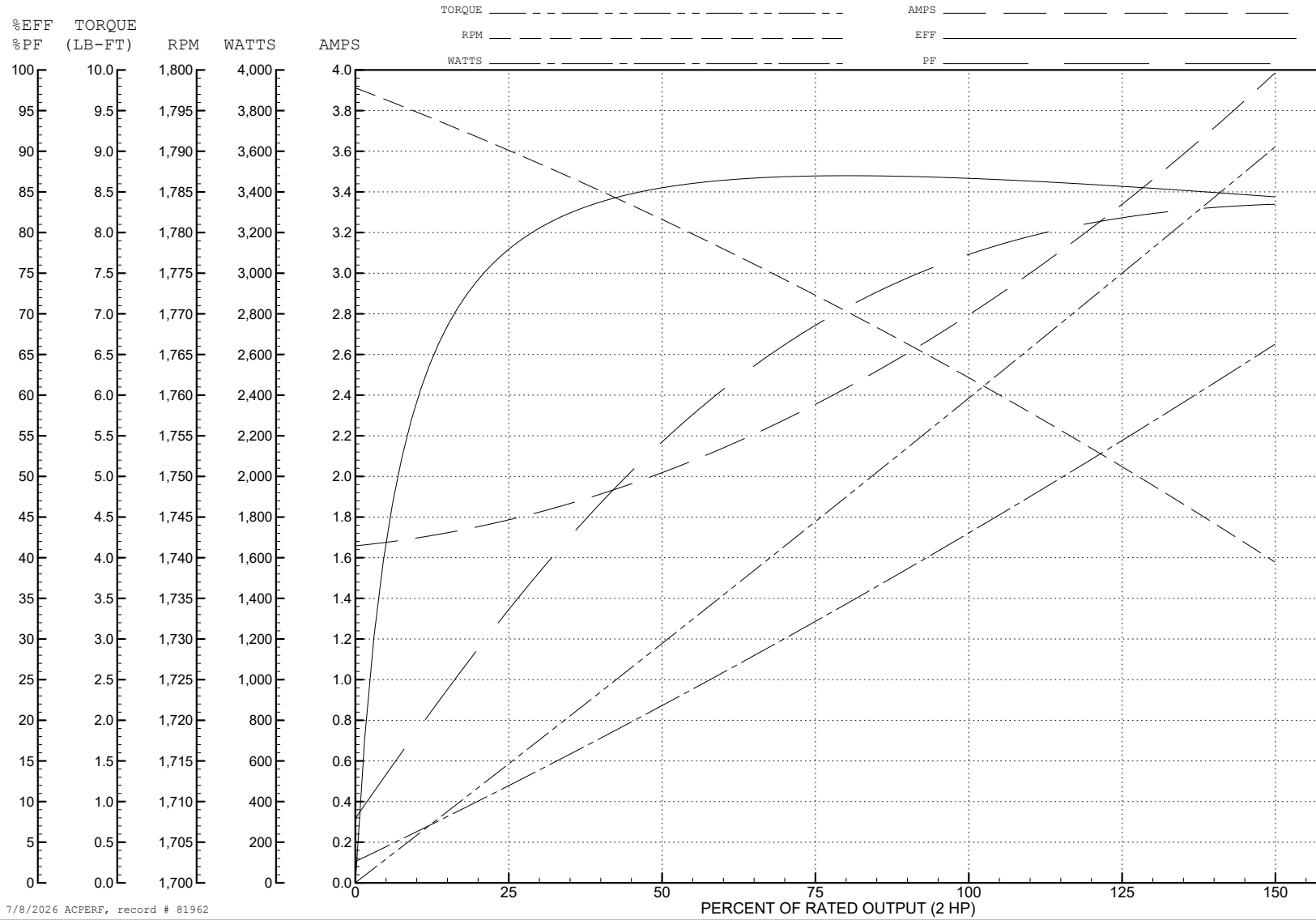
ABB Motors and Mechanical Inc.

WINDING # 05WGX509

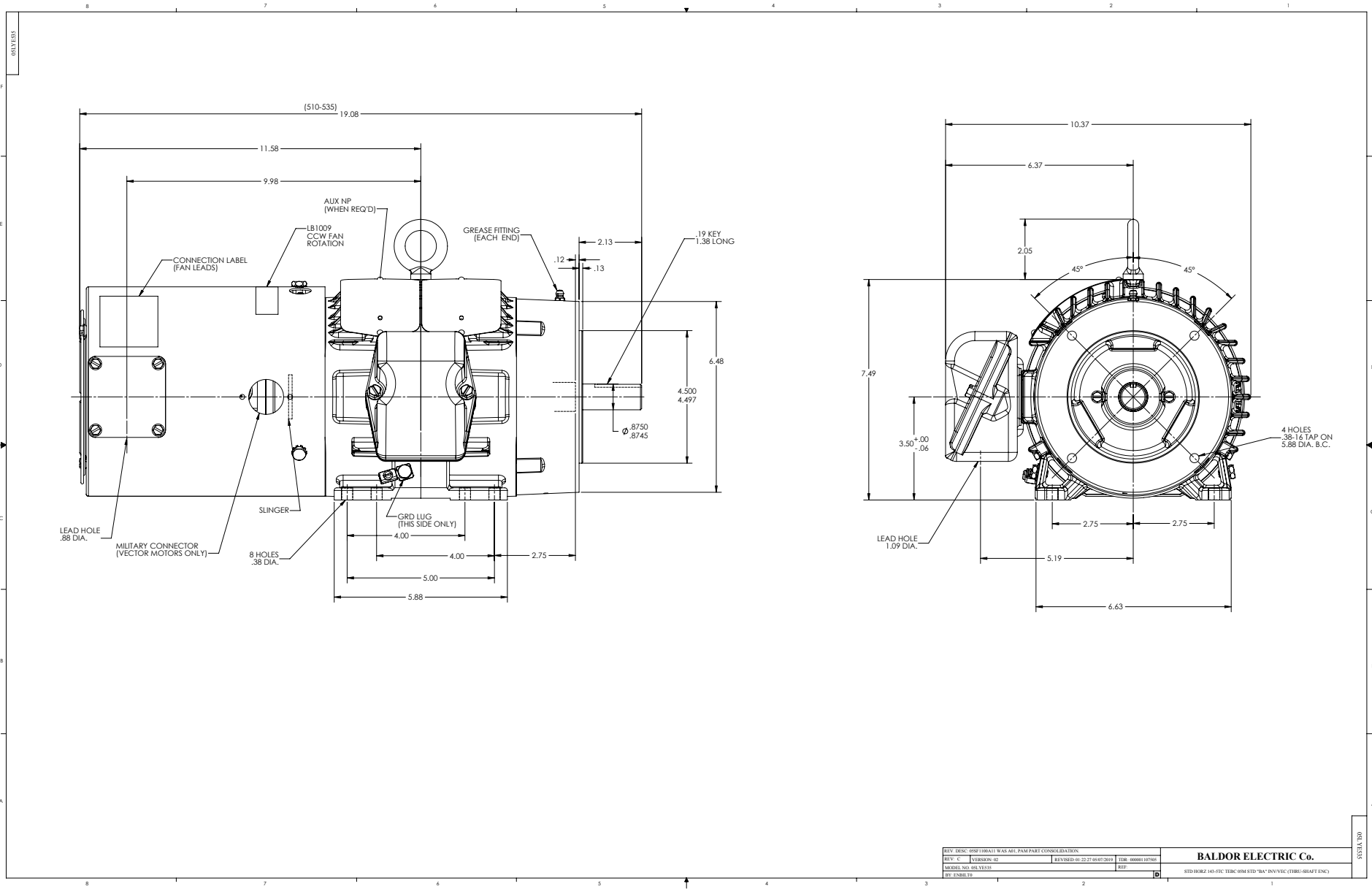
Typical performance - not guaranteed values.

2 HP 3 PH 60 HZ 1760 RPM 460 V 0526M

TORQUES (LB-FT): PO=23.5 PU=11.5 LR=15.6 LRA=22.7

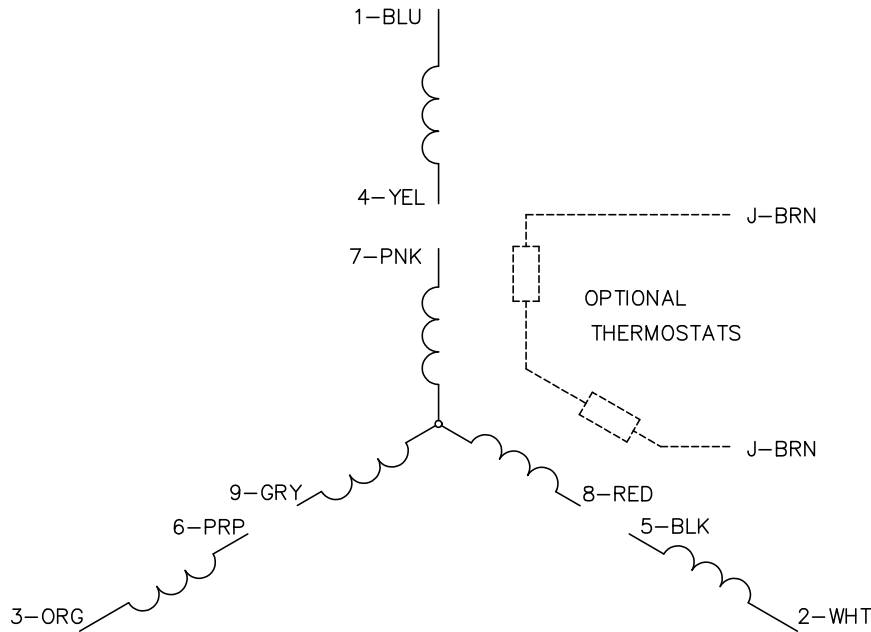


7/8/2026 ACPERF, record # 81962



REV. DESC: 0526M/05E535 WAS NOT PAID PAPER CONSULTATION		REV. C: J. VIKSON, JZ		REVISED: 01/22/27 05/07/2019	TRD: 00000107502	<b>BALDOR ELECTRIC Co.</b>	
MODEL NO. 05E535		BY: ENB119		REF:	STD HORIZ 145-TC TEBC 05M STD "B" IN/VC (TRUB-SHAFT ENC)		05E535.FDP

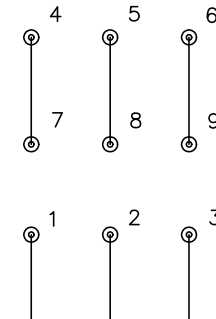
CD0005



LOW VOLTAGE  
(2Y)



HIGH VOLTAGE  
(1Y)



NOTES:

1. INTERCHANGE ANY TWO LINE LEADS TO REVERSE ROTATION.
2. OPTIONAL THERMOSTATS ARE PROVIDED WHEN SPECIFIED.
3. ACTUAL NUMBER OF INTERNAL PARALLEL CIRCUITS MAY BE A MULTIPLE OF THOSE SHOWN ABOVE.
4. LEAD COLORS ARE OPTIONAL. LEADS MUST ALWAYS BE NUMBERED AS SHOWN.

REV. DESC: REVISE TO SHOW OPTIONAL COLORS			
REV. LTR: E	BY: JLP	REVISED: 01/19/99 10:15	TDR: 0171435
S00000		FILE: AAA00005140	MDL: -
		MTL: -	

**BALDOR ELECTRIC Co.**

3PH, DV, 9 LEADS

CD0005