



---

# Customer information packet

## IDM3584T

1.5HP, 1770RPM, 3PH, 60HZ, 145TC, 0524M, TEBC

Class - None

Division - Not Applicable

## Specifications

Enclosure	TEBC
Frame	145TC
Frame Material	Iron
Frequency	60.00 Hz
Motor Letter Type	Three Phase
Output @ Frequency	1.500 HP @ 60 HZ
Phase	3
Synchronous Speed @ Frequency	1800 RPM @ 60 HZ
Voltage @ Frequency	230.0 V @ 60 HZ 460.0 V @ 60 HZ
XP Class and Group	None
XP Division	Not Applicable
Agency Approvals	CSA UR
Ambient Temperature	40 °C
Auxillary Box	No Auxillary Box
Auxillary Box Lead Termination	None
Base Indicator	Rigid
Bearing Grease Type	Polyrex EM (-20F +300F)
Blower	BLOWER
Current @ Voltage	2.300 A @ 460.0 V 4.600 A @ 230.0 V 4.640 A @ 208.0 V
Design Code	B
Drip Cover	No Drip Cover
Duty Rating	CONT
Efficiency @ 100% Load	86.5 %
Electrically Isolated Bearing	Not Electrically Isolated
Feedback Device	NO FEEDBACK
Front Shaft Indicator	None
Heater Indicator	No Heater
High Voltage Full Load Amps	2.3 a

## Part detail

Revision	-
Type	AC
Mech. spec.	05E535
Base	
Status	PRD/A
Elec. spec.	05WGX510
Layout	05LYE535
Eff. date	09-30-2022
CD Diagram	CD0005
Poles	04
Leads	9#18 Y
Proprietary	False
Created date	07-21-2022

<b>Insulation Class</b>	H
<b>Inverter Code</b>	Inverter Ready
<b>KVA Code</b>	M
<b>Lifting Lugs</b>	Standard Lifting Lugs
<b>Locked Bearing Indicator</b>	Locked Bearing
<b>Max Speed</b>	2700 rpm
<b>Motor Lead Quantity/Wire Size</b>	9 @ 18 AWG
<b>Motor Lead Termination</b>	Flying Leads
<b>Motor Standards</b>	NEMA
<b>Motor Type</b>	0524M
<b>Mounting Arrangement</b>	F1
<b>Number of Poles</b>	4
<b>Overall Length</b>	19.02 IN
<b>Power Factor</b>	72
<b>Product Family</b>	General Purpose
<b>Pulley End Bearing Type</b>	Ball
<b>Pulley Face Code</b>	C-Face
<b>Pulley Shaft Indicator</b>	Standard
<b>Rodent Screen</b>	None
<b>Service Factor</b>	1.00
<b>Shaft Diameter</b>	0.875 IN
<b>Shaft Ground Indicator</b>	No Shaft Grounding
<b>Shaft Rotation</b>	Reversible
<b>Shaft Slinger Indicator</b>	Shaft Slinger
<b>Speed</b>	1770 rpm
<b>Speed Code</b>	Single Speed
<b>Starting Method</b>	Direct on line
<b>Thermal Device - Bearing</b>	None
<b>Thermal Device - Winding</b>	Normally Closed Thermostat
<b>Vibration Sensor Indicator</b>	No Vibration Sensor
<b>Winding Thermal 1</b>	None
<b>Winding Thermal 2</b>	None

**Nameplate**

<b>NP1162L</b>									
<b>CAT NO</b>	IDM3584T								
<b>SPEC.</b>	05E535X510G1								
<b>FRAME</b>	145TC	<b>HP</b>	1.5 TE						
<b>VOLTS</b>	230/460								
<b>MAG CUR</b>	3/1.5			<b>FLA</b>	4.6/2.3				
<b>RPM</b>	1770		<b>RPM MAX</b>	2700					
<b>HZ</b>	60	<b>PH</b>	3	<b>CLASS</b>	H				
<b>SER.F.</b>	1.00	<b>DES</b>	B	<b>SL HZ</b>	1				
<b>NEMA-NOM-EFF</b>	86.5	<b>WK2</b>	0.174						
<b>BLWR V</b>	115	<b>PH</b>	1	<b>HZ</b>	60	<b>A</b>	.5		
<b>RATING</b>	40C AMB-CONT								
<b>DE BRG</b>	6205	<b>ODE BRG</b>	6203						
<b>CC</b>	010A	<b>SN</b>							

**AC Induction Motor Performance Data**

Record # 95409

Typical performance - not guaranteed values

Winding: 05WGX510-R004		Type: 0524M	Enclosure: TEBC	
<b>Nameplate Data</b>			<b>460 V, 60 Hz: High Voltage Connection</b>	
Rated Output (HP)	1.5	Full Load Torque	4.48 LB-FT	
Volts	230/460	Start Configuration	direct on line	
Full Load Amps	4.6/2.3	Breakdown Torque	18.8 LB-FT	
R.P.M.	1770	Pull-up Torque	9.6 LB-FT	
Hz	60 Phase	Locked-rotor Torque	12.6 LB-FT	
NEMA Design Code	B KVA Code	Starting Current	19.7 A	
Service Factor (S.F.)	1	No-load Current	1.51 A	
NEMA Nom. Eff.	86.5 Power Factor	Line-line Res. @ 25°C	11.8 Ω	
Rating - Duty	40C AMB-CONT	Temp. Rise @ Rated Load	48°C	
		Locked-rotor Power Factor	58.4	
		Rotor inertia	0.173 lb-ft <sup>2</sup>	

**Load Characteristics 460 V, 60 Hz, 1.5 HP**

% of Rated Load	25	50	75	100	125	150
Power Factor	31	49	63	72	78	81
Efficiency	75.1	83.5	86	86.5	85.8	84.8
Speed	1792	1785	1777	1769	1760	1750
Line amperes	1.56	1.72	1.97	2.28	2.65	3.06

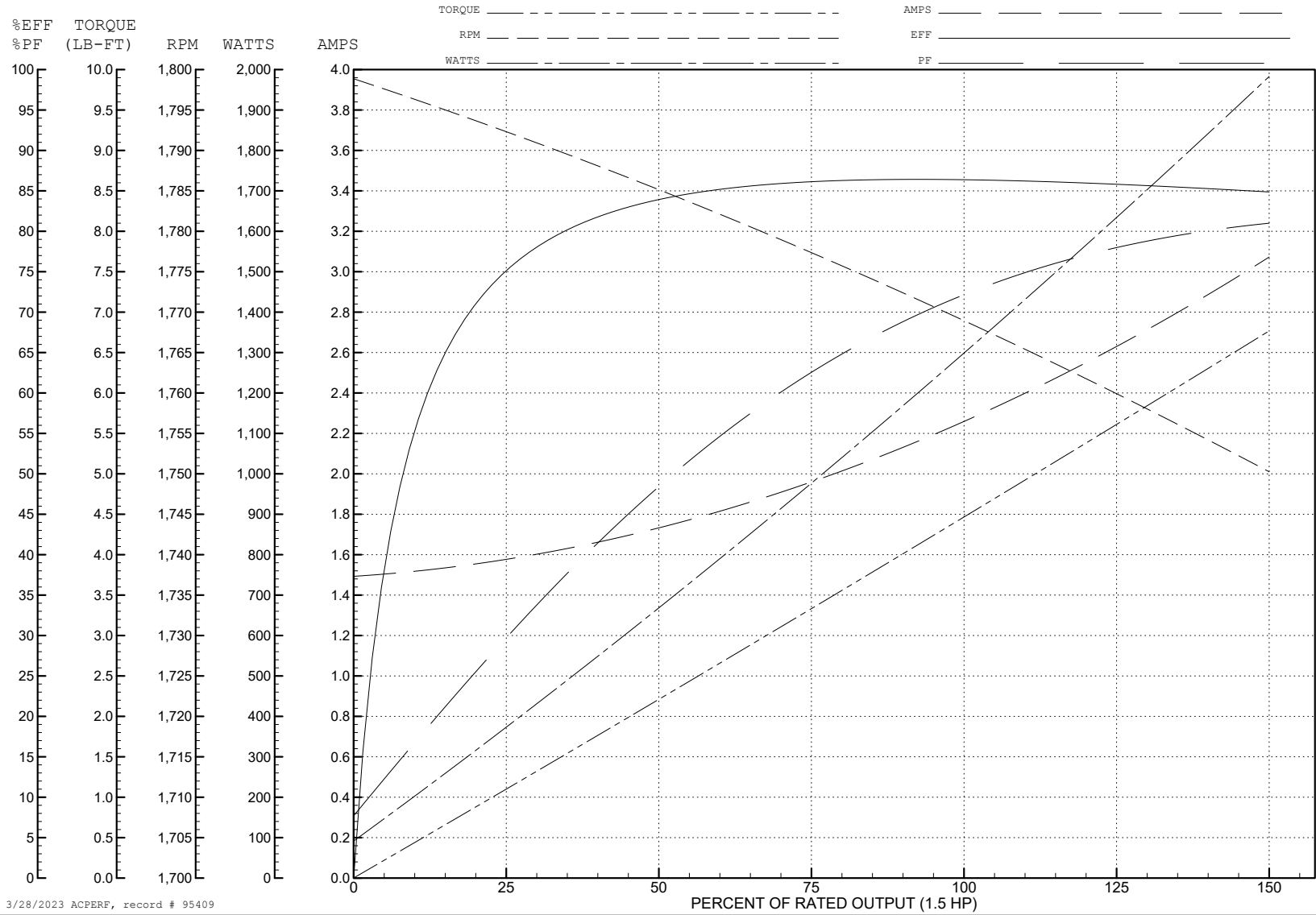
ABB Motors and Mechanical Inc.

WINDING # 05WGX510

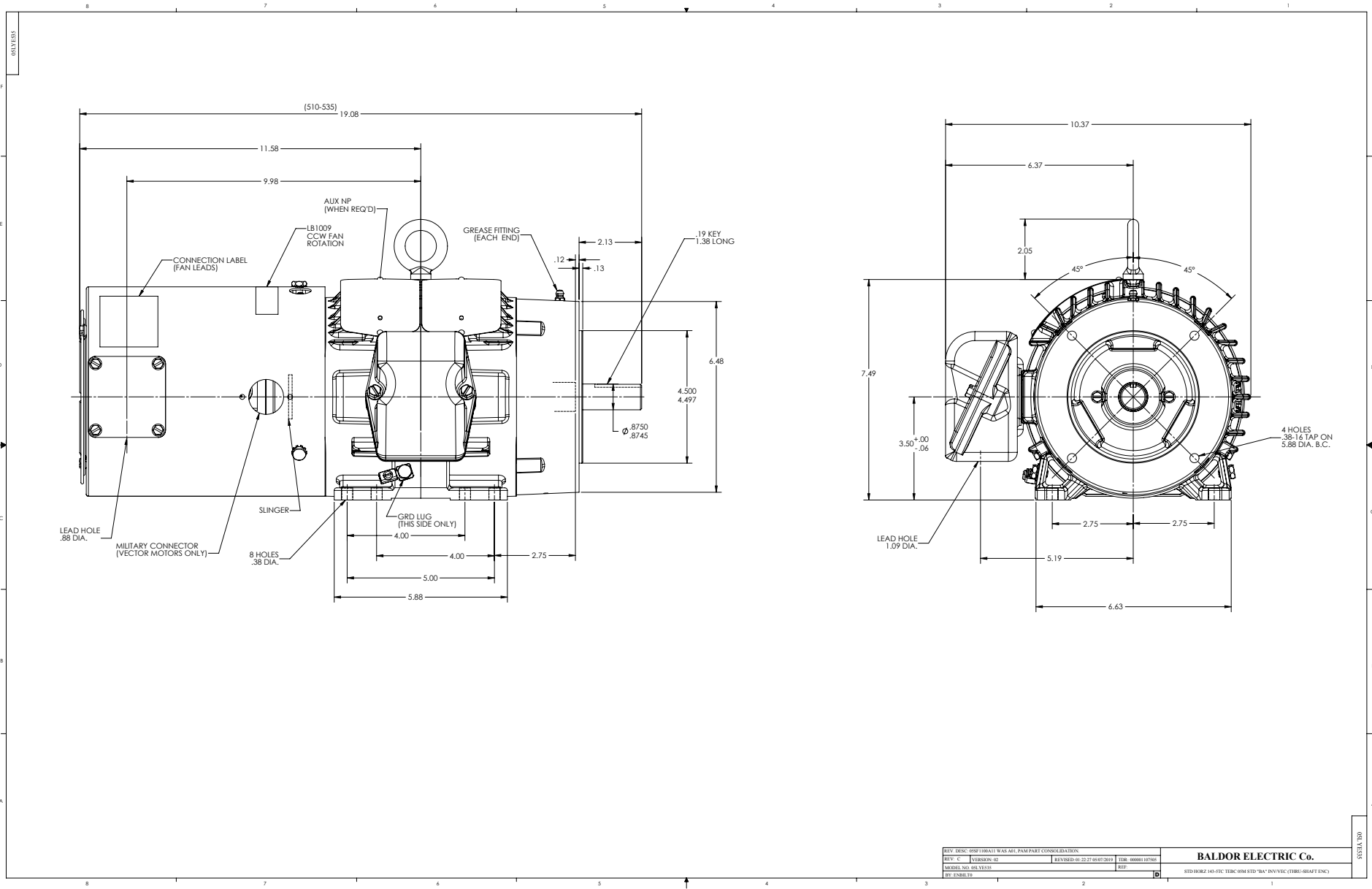
Typical performance - not guaranteed values.

1.5 HP 3 PH 60 HZ 1770 RPM 460 V 0524M

TORQUES (LB-FT): PO=18.8 PU=9.6 LR=12.6 LRA=19.7

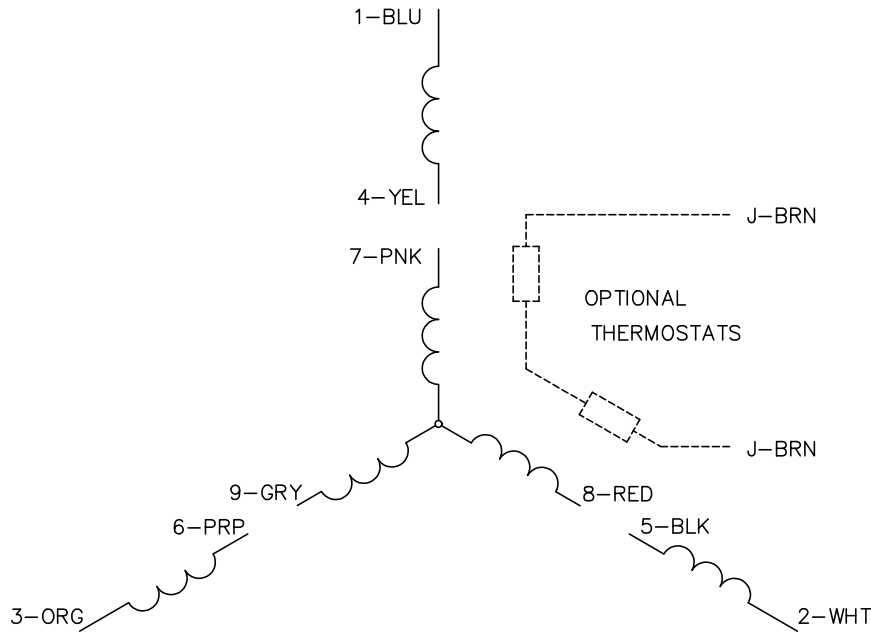


3/28/2023 ACPERF, record # 95409

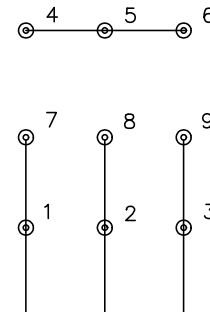


REV. DESC: 0524M (REV. 05/01) WAS NOT PAID PAPER CONSULTATION		REV. C   INTERSON, INC   REVISED: 01/22/27 05/07/2019   TDR: 00000107502		<b>BALDOR ELECTRIC Co.</b>
MODEL NO. 05E535		REF		
BY: ENB119		D		STD: H0RZ 143-TC TEBC 00M STD "BA" IN/VC (TRBL-SHAFT ENC)

CD0005

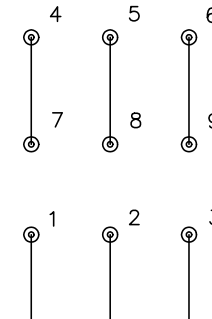


LOW VOLTAGE  
(2Y)



LINE

HIGH VOLTAGE  
(1Y)



LINE

NOTES:

1. INTERCHANGE ANY TWO LINE LEADS TO REVERSE ROTATION.
2. OPTIONAL THERMOSTATS ARE PROVIDED WHEN SPECIFIED.
3. ACTUAL NUMBER OF INTERNAL PARALLEL CIRCUITS MAY BE A MULTIPLE OF THOSE SHOWN ABOVE.
4. LEAD COLORS ARE OPTIONAL. LEADS MUST ALWAYS BE NUMBERED AS SHOWN.

CD0005

REV. DESC: REVISE TO SHOW OPTIONAL COLORS			
REV. LTR: E	BY: JLP	REVISED: 01/19/99 10:15	TDR: 0171435
S00000		FILE: AAA00005140	MDL: -
		MTL: -	

**BALDOR ELECTRIC Co.**

3PH, DV, 9 LEADS