

ABB BALDOR RELIANCE III

Customer information packet

IDM3584T-5

1.5HP, 1770RPM, 3PH, 60HZ, 143TC, 0522M, TEBC

Class - None

Division - Not Applicable

Specifications

Enclosure	TEBC
Frame	145TC
Frame Material	Iron
Frequency	60.00 Hz
Haz Area Class and Group	None
Haz Area Division	Not Applicable
Motor Letter Type	Three Phase
Output @ Frequency	1.500 HP @ 60 HZ
Phase	3
Synchronous Speed @ Frequency	1800 RPM @ 60 HZ
Voltage @ Frequency	575.0 V @ 60 HZ
Agency Approvals	CSA UR
Ambient Temperature	40 °C
Auxiliary Box	NO AUXILLARY BOX
Auxiliary Box Lead Termination	None
Base Indicator	Rigid
Bearing Grease Type	Polyrex EM (-20F +300F)
Blower	BLOWER
Current @ Voltage	1.710 A @ 575.0 V
Design Code	B
Drip Cover	No Drip Cover
Duty Rating	CONT
Efficiency @ 100% Load	86.5 %
Electrically Isolated Bearing	Not Electrically Isolated
Feedback Device	NO FEEDBACK
Front Shaft Indicator	None
Heater Indicator	No Heater
High Voltage Full Load Amps	1.7 a
Insulation Class	H
Inverter Code	Inverter Ready
KVA Code	L

Part Detail

Revision	D
Type	AC
Mech. spec.	05E535
Base	
Status	PRD/A
Elec. spec.	05WGX559
Layout	05LYE535
Eff. date	09-30-2025
CD Diagram	CD0006
Poles	04
Leads	3#18
Proprietary	False
Created date	03-11-2022

Lifting Lugs	Standard Lifting Lugs
Locked Bearing Indicator	Locked Bearing
Max Speed	2700 rpm
Motor Lead Quantity/Wire Size	3 @ 18 AWG
Motor Lead Termination	Flying Leads
Motor Standards	NEMA
Motor Type	0522M
Mounting Arrangement	F1
Number of Poles	4
Overall Length	19.02 IN
Power Factor	76
Product Family	General Purpose
Pulley End Bearing Type	Ball
Pulley Face Code	C-Face
Pulley Shaft Indicator	Standard
Rodent Screen	None
Service Factor	1.00
Shaft Diameter	0.875 IN
Shaft Ground Indicator	No Shaft Grounding
Shaft Rotation	Reversible
Shaft Slinger Indicator	Shaft Slinger
Speed	1770 rpm
Speed Code	Single Speed
Starting Method	Direct on line
Thermal Device - Bearing	None
Thermal Device - Winding	Normally Closed Thermostat
Vibration Sensor Indicator	No Vibration Sensor
Winding Thermal 1	None
Winding Thermal 2	None

Nameplate

NP4009L					
CAT.NO.	IDM3584T-5				
SPEC.	05E535X559G1				
FRAME	145TC	H.P.	1.5 TE		
VOLTS	575				
MAG. CUR.	1.05	F.L. AMPS	1.71		
R.P.M.	1770	R.P.M. MAX	2700		
HZ.	60	PH.	3	CLASS	H
SER.F.	1.00	DES.	B	SL HZ	1
NEMA NOM. EFF.	86.5	WK2	0.159		
BLOWER	V	PH	HZ	AMPS	
RATING	40C AMB-CONT				
DE	6205	ODE	6203		
CC	010A	SN			
	1000:1 CT/VT				

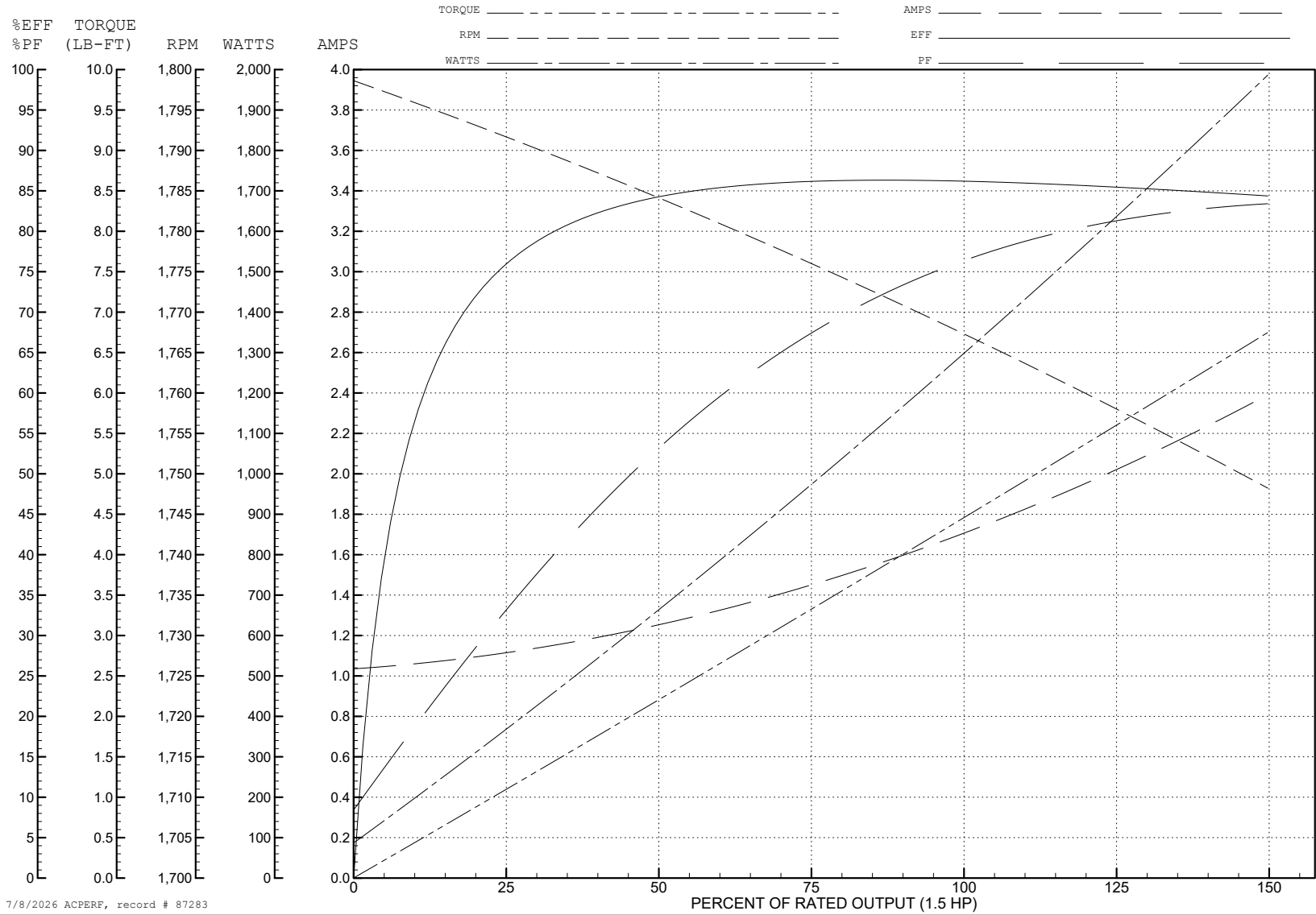
ABB Motors and Mechanical Inc.

WINDING # 05WGX559

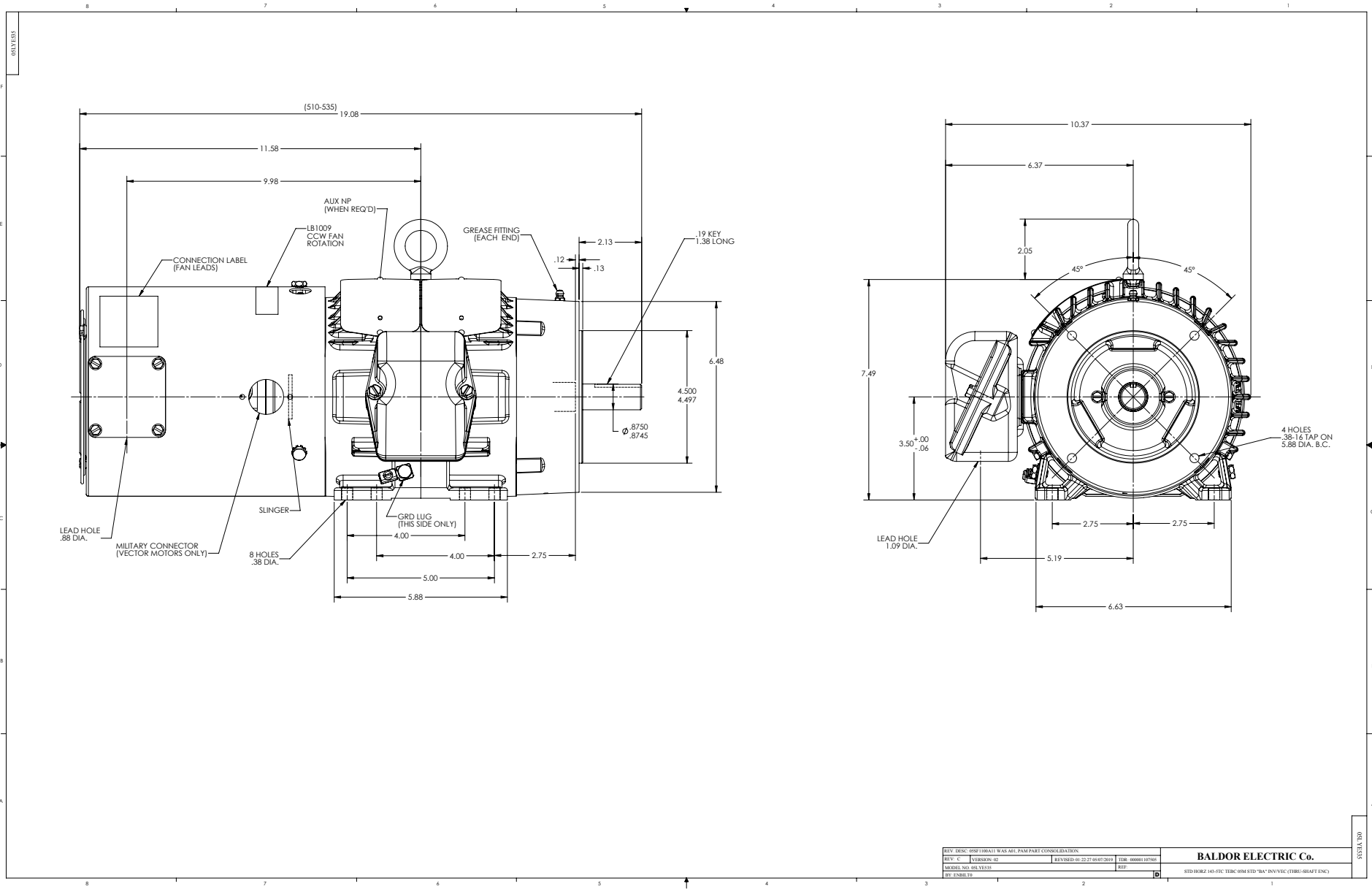
Typical performance - not guaranteed values.

1.5 HP 3 PH 60 HZ 1770 RPM 575 V 0522M

TORQUES (LB-FT): PO=16.69 PU=9.8 LR=11.36 LRA=14.18



7/8/2026 ACPERF, record # 87283



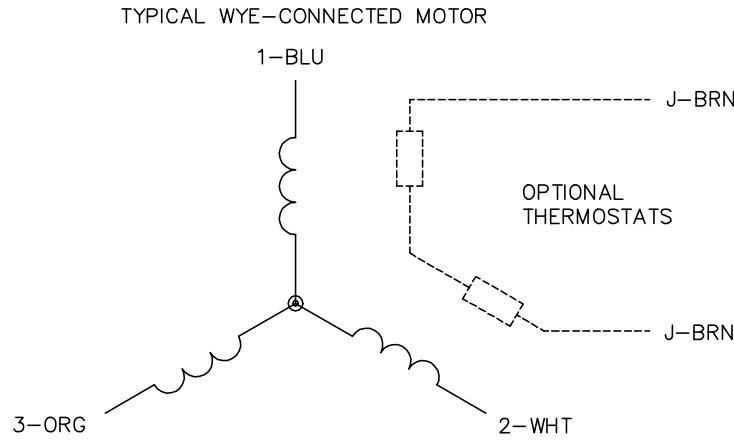
REV. DESC: 0522/08/01 WAS NOT PAM PARY CONSULTATION		REVISED: 01/22/27 05/07/2019		TRC: 00000107502
REV. C	INTERSON, INC	REVISED: 01/22/27 05/07/2019	TRC: 00000107502	
MODEL NO. 05E535		REV		
BY: ENB119				

BALDOR ELECTRIC Co.

STD HORIZ 143-TC TEBC 05M STD "B" / "N" / "C" (TRBU-SHAFT ENC)

05E535.T09

CD0006



NOTES:

1. THREE LEAD MOTOR MAY BE EITHER WYE CONNECTED OR DELTA CONNECTED.
2. INTERCHANGE ANY TWO LINE LEADS TO REVERSE ROTATION.
3. OPTIONAL THERMOSTATS ARE PROVIDED WHEN SPECIFIED.
4. ACTUAL NUMBER OF INTERNAL PARALLEL CIRCUITS MAY VARY.
5. LEAD COLORS ARE OPTIONAL. LEADS MUST BE NUMBERED AS SHOWN.

CD0006

REV. DESC: ADD CLASS CONN00000007		
REV. LTR: E	VERSION: 01	TDR: 000001099922
FILE: \AAA\00005\141	REVISED: 10:24:49 02/19/2019	BY: ENBRIRO
MTL: -		© □

BALDOR - RELIANCE®

3PH, SV, 3 LEADS, WYE OR DELTA CONNECTED

SH 1 of 1