

BALDOR • RELIANCE

Customer information packet

IDFRPM28604

60HP, 1750, 460V, FL2890, TEFC, F3

Specifications

| | |
|-------------------------------|-------------------------|
| Enclosure | TEFC |
| Frame | FL2890Z |
| Frame Material | Exposed Laminations |
| Frequency | 60.00 Hz |
| Output @ Frequency | 60.000 HP @ 60 HZ |
| Phase | 3 |
| Synchronous Speed @ Frequency | 1800 RPM @ 60 HZ |
| Voltage @ Frequency | 460.0 V @ 60 HZ |
| Agency Approvals | CCSA US |
| Auxillary Box | No Auxillary Box |
| Base Indicator | Rigid |
| Bearing Grease Type | Polyrex EM (-20F +300F) |
| Current @ Voltage | 76.000 A @ 460.0 V |
| Duty Rating | CONT |
| Feedback Device | NO FEEDBACK |
| Frame Prefix | FL |
| Heater Indicator | No Heater |
| High Voltage Full Load Amps | 76.0 a |
| Insulation Class | H |
| IP Rating | NONE |
| Motor Standards | NEMA |
| Mounting Arrangement | F3 |
| Overall Length | 36.59 IN |
| Product Family | General Industrial |
| Pulley End Bearing Type | Ball |
| Pulley Face Code | Standard |
| Service Factor | 1.00 |
| Shaft Diameter | 2.624 IN |
| Shaft Ground Indicator | Shaft Grounding |
| Shaft Rotation | Reversible |
| Speed | 1785 rpm |
| Starting Method | Full Voltage |

Part detail

| | |
|--------------|------------|
| Revision | B |
| Type | AC |
| Mech. spec. | |
| Base | |
| Status | PRD/A |
| Elec. spec. | L4050A |
| Layout | 617245-073 |
| Eff. date | 03-24-2022 |
| CD Diagram | 422927-001 |
| Poles | 04 |
| Leads | |
| Proprietary | False |
| Created date | 10-28-2021 |

Thermal Device - Bearing

None

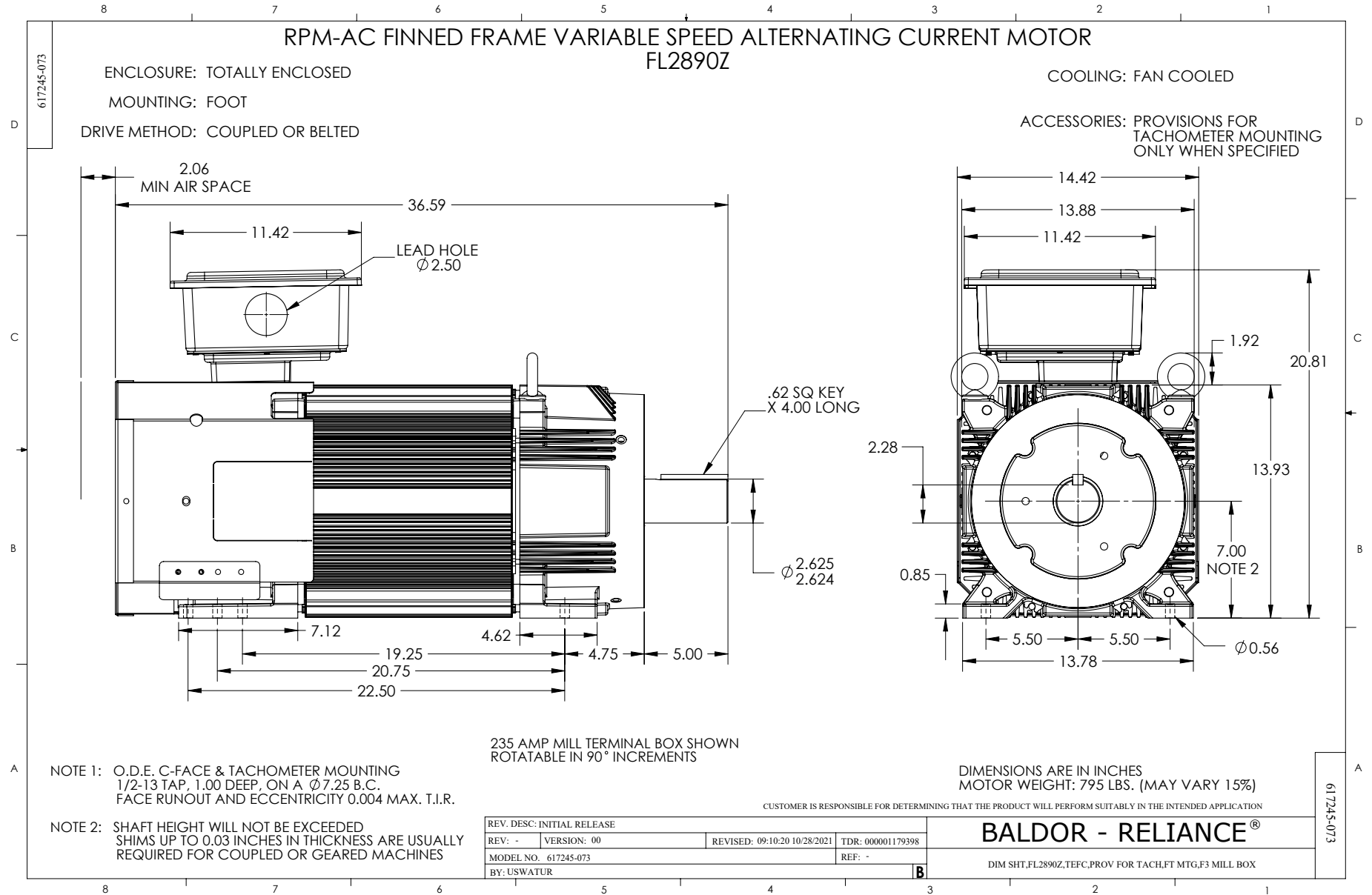
Thermal Device - Winding

Normally Closed Thermostat

Nameplate

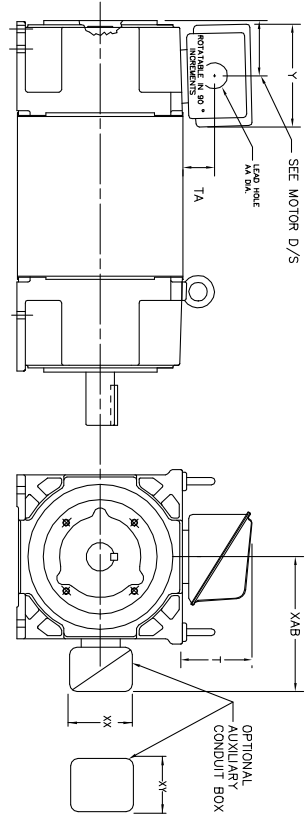
000613006MY

| | DUTY | HP | RPM | AMPS | VOLTS | HZ | | |
|-------------------|-------------|-----------------------|--------------------|------------|---------------|------|------------------|-----|
| | CONT | 60 | 1785 | 76 | 460 | | 60 | |
| | CONT | 60 | 3565 | 72 | 460 | | 120 | |
| | | | | | | | | |
| CAT.NO. | IDFRPM28604 | | SPEC. NO. | | F28-A000-0367 | | | |
| SER.NO | | | FR | FL2890Z | INSUL | H | | |
| PH. | 3 | MAX SAFE SPEED | | 5000 | AMB. | 40 | MIN. AMB. | -25 |
| DESIGN NO. | L4050A | | TYPE | | ENCL. | TEFC | | |
| S.F. | 1.00 | | D.E. BRG. | 75BC02J30X | | | | |
| ENCL MOD | | | O.D.E. BRG. | 55BC02J30X | | | | |
| | IP44 | | | | | | | |



INDUSTRIAL ALTERNATING CURRENT MOTORS
RPM AC

STEEL, CAST IRON, MILL AND TERMINAL BOARD CONDUIT BOX DIMENSIONS
NEMA FRAMES RL210 thru RL280 and IEC FRAMES RDL132 thru RDL180
NEMA FRAMES FL180 thru FL280 and IEC FRAMES FDL112 thru FDL180



| FRAME | TYPE | TERMINAL STRIP | AMPS | C/BOX | Y | TA | T | AA |
|---------------|-----------|----------------|------|-------------|-------|------|-------|-----------|
| FL180 | STEEL | N | 40 | 706320003A | 5.00 | 1.62 | 3.00 | 1.12 |
| FL180 | STEEL | N | 75 | 706320003A | 6.12 | 2.38 | 4.38 | 1.75/2.00 |
| FL180 | STEEL | N | 208 | 706320007A | 6.92 | 2.00 | 7.00 | 2.50/2.00 |
| FL180 | CAST IRON | Y/N | 40 | 706320004A | 5.75 | 2.38 | 4.38 | 1.50/1.75 |
| FL180 & FDL11 | MILL | Y | 100 | 706310028A | 7.75 | 2.30 | 4.40 | PC29/PG16 |
| FL210 & RL210 | STEEL | N | 61 | 0754520009 | 6.34 | 2.00 | 4.12 | 1.75 |
| FL210 & RL210 | STEEL | N | 121 | 0754520010 | 7.69 | 2.38 | 5.25 | 1.94 |
| FL210 & RL210 | STEEL | N | 336 | 706320016A | 9.00 | 4.12 | 8.42 | 4.89 |
| FL210 & RL210 | CAST IRON | N | 110 | 075460052B | 7.25 | 2.50 | 5.25 | 1.5 TAP |
| FL210 & RL210 | MILL | Y | 100 | 7063100229A | 7.75 | 2.30 | 4.40 | PC29/PG16 |
| FL210 & RL210 | MILL | Y | 160 | 706310056A | 9.00 | 3.06 | 5.40 | PC36/PG16 |
| FL210 & RL210 | MILL | Y/N | 235 | 706310058B | 11.42 | 4.00 | 6.72 | 2.50 |
| FL250 & RL250 | STEEL | N | 61 | 0754520008 | 6.34 | 2.00 | 4.12 | 1.75 |
| FL250 & RL250 | STEEL | N | 121 | 0754520009 | 7.69 | 2.38 | 5.25 | 1.94 |
| FL250 & RL250 | STEEL | N | 336 | 706320016A | 9.00 | 4.12 | 8.42 | 4.89 |
| FL250 & RL250 | CAST IRON | N | 110 | 075460052B | 7.25 | 2.50 | 5.25 | 1.5 TAP |
| FL250 & RL250 | CAST IRON | N | 210 | 706320017A | 10.50 | 4.88 | 9.00 | 4.0 TAP |
| FL250 & RL250 | MILL | Y | 100 | 7063100229A | 7.75 | 2.30 | 4.40 | PC29/PG16 |
| FL250 & RL250 | MILL | Y | 160 | 706310056A | 9.00 | 3.06 | 5.40 | PC36/PG16 |
| FL250 & RL250 | MILL | Y/N | 235 | 706310058B | 11.42 | 4.00 | 6.72 | 2.50 |
| FL250 & RL250 | MILL | Y | 400 | 706310063B | 14.39 | 7.43 | 12.15 | BLANK |

| FRAME | TYPE | TERMINAL STRIP | AMPS | C/BOX | Y | TA | T | AA |
|---------------|-----------|----------------|------|------------|-------|------|-------|-----------|
| FL280 & RL280 | STEEL | N | 160 | 706320029A | 7.25 | 3.50 | 7.06 | 2.50 |
| FL280 & RL280 | STEEL | N | 336 | 706320016A | 9.00 | 4.12 | 8.42 | 4.89 |
| FL280 & RL280 | STEEL | N | 500 | 702656001C | 14.62 | 7.56 | 12.70 | 5.00 |
| FL280 & RL280 | CAST IRON | N | 140 | 706320017B | 9.25 | 4.81 | 8.56 | 3.0 TAP |
| FL280 & RL280 | CAST IRON | N | 210 | 706320015A | 10.50 | 4.88 | 9.00 | 4.0 TAP |
| FL280 & RL280 | CAST IRON | N | 510 | 706320014D | 15.00 | 7.56 | 12.81 | 5.0 TAP |
| FL280 & RL280 | MILL | Y | 100 | 706310056A | 7.75 | 2.30 | 4.40 | PC29/PG16 |
| FL280 & RL280 | MILL | Y | 160 | 706310058B | 9.00 | 3.06 | 5.40 | PC36/PG16 |
| FL280 & RL280 | MILL | Y/N | 235 | 706310057A | 11.42 | 4.00 | 6.72 | 2.50 |
| FL280 & RL280 | MILL | Y | 400 | 706310063B | 14.39 | 7.43 | 12.15 | BLANK |

| FRAME SIZE | OPTIONAL AUXILIARY CONDUIT BOX DIMENSIONS (MAXIMUM) | | | | | |
|-------------------------|---|------|------|-------------|-------------------------|-------------|
| | XAB | XX | XY | PART NUMBER | FRAME SIZE | PART NUMBER |
| FL210/FL180/FL280/FL180 | 7.38 | 4.25 | 4.25 | 602007-26-A | FL210/FL180/FL280/FL180 | 10.88 |
| FL250/FL180/FL280/FL180 | 8.44 | 4.25 | 4.25 | 602007-26-A | FL250/FL180/FL280/FL180 | 11.88 |
| FL280/FL180/FL280/FL180 | 9.12 | 4.25 | 4.25 | 602007-26-A | FL280/FL180/FL280/FL180 | 12.62 |
| | | | | | | 8.00 |
| | | | | | | 8.00 |
| | | | | | | 8.00 |
| | | | | | | 8.00 |

- (1) 7/8" PIPE TAP
- (2) CUSTOMER TO PROVIDE W/LE TERE CONDUIT.
- (3) DIM SA ON 1" DIA ON W/6

TERMINAL BOX CAN BE ROTATED FOR LEAD INLET AT TOP, SIDES OR BOTTOM
TERMINAL BOX LOCATED ON OPPOSITE SIDE WHEN F-2, V-1, V-4, V-5, V-7,
OR C-1 MOUNTING IS SPECIFIED. BOX LOCATED ON TOP WHEN SPECIFIED.

050-677919

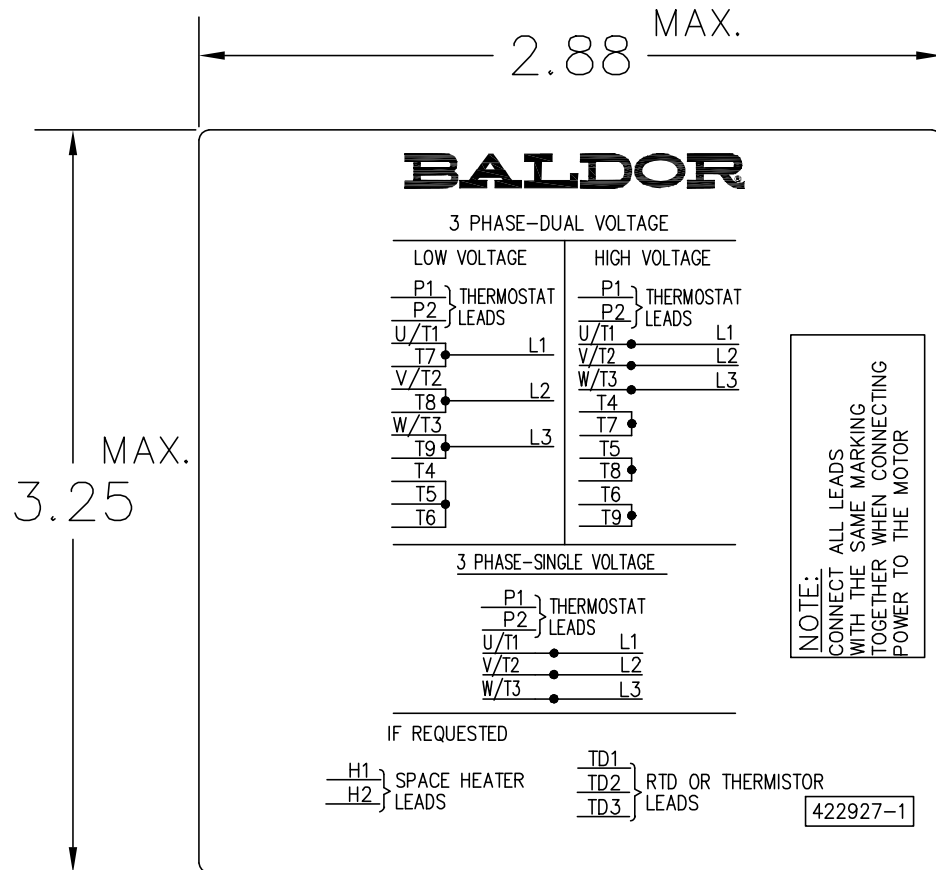
CUSTOMER IS RESPONSIBLE FOR DETERMINING THAT BALDOR'S PRODUCT WILL PERFORM SUITABLY IN THE INTENDED APPLICATION.

| | | |
|-------------------------------------|--------------------------------|-------------------|
| REV. DESC: ADD 706310-637 & 639 BOX | VERSION: 06 | TDR: 000001180260 |
| REV. LTR: F | REVISED: 11: 08: 56 10/26/2021 | BY: RCGRWM |
| FILE: \RGG\00003\692 | | |
| MTL: - | | |

BALDOR - RELIANCE®

DIM SHT NEMA RL210-RL280 FL180-FL280 IEC RDL132-RDL180

422927-001



NOTE:
DATA TO BE SIZED
SO THAT IT FITS INTO
MATERIAL DECAL
DIMENSIONS. MAKE
LETTERS & NUMBERS
AS LARGE AS POSSIBLE.

MATERIAL: CERAMATIC DGF-P4
PERMA GRIP ADHESIVE

ALL LETTERS, NUMBERS
AND LINES TO BE BLACK
ON WHITE BACKGROUND.

422927-001

| | | |
|---|------------------------------|------------------|
| REV. DESC: CHANGE BACKGROUND COLOR FROM GOLD TO WHITE | | |
| REV. LTR: B | VERSION: 02 | TDR: 00000788708 |
| FILE: \RGG\00000\203 | REVISED: 08:09:29 03/04/2013 | |
| MTL: - | BY: RGGWT | |

BALDOR

EXTERNAL CONNECTION LABEL

SH 1 of 1