

ABB BALDOR RELIANCE III

Customer information packet IDDRPM362506R1

250HP, 1170/1810RPM, 460V, 3PH, DPGFV, RL3698

Specifications

Enclosure	DPFV
Frame	RL3698
Frame Material	Exposed Laminations
Frequency	40.00 Hz
Output @ Frequency	250.000 @ 40 HZ 250.000 HP @ 40 HZ
Phase	3
Synchronous Speed @ Frequency	1200 RPM @ 40 HZ
Voltage @ Frequency	460.0 V @ 40 HZ 460 V @ 40 HZ
Agency Approvals	CCSA US
Auxiliary Box	NO AUXILLARY BOX
Base Indicator	Rigid
Bearing Grease Type	Polyrex EM (-20F +300F)
Current @ Voltage	298.000 A @ 460.0 V
Duty Rating	CONT
Enclosure Modification	FORCE VENT
Feedback Device	NO FEEDBACK
Frame Prefix	RL
Heater Indicator	No Heater
High Voltage Full Load Amps	298.0 a
Insulation Class	H
Motor Standards	NEMA
Mounting Arrangement	F1
Overall Length	39.22 IN
Product Family	General Industrial
Pulley End Bearing Type	Ball
Pulley Face Code	Standard
Service Factor	1.00
Shaft Diameter	2.874 IN
Shaft Ground Indicator	Shaft Grounding
Shaft Rotation	Reversible

Part Detail

Revision	K
Type	AC
Mech. spec.	
Base	
Status	PRD/A
Elec. spec.	L6130A
Layout	619680-001
Eff. date	05-03-2022
CD Diagram	422927-001
Poles	04
Leads	
Proprietary	False
Created date	04-09-2015

Speed	1170 rpm
Thermal Device - Bearing	None
Thermal Device - Winding	Normally Closed Thermostat

Nameplate

000613006MY

	DUTY	HP	RPM	AMPS	VOLTS	HZ	
	CONT	250	1170	298	460		40
	CONT	250	2000	302	460		62
CAT.NO.	IDDRPM362506R1		SPEC. NO.	P36R1323			
SER.NO		FR	RL 3698	INSUL	H		
PH.	3	MAX SAFE SPEED	3750	AMB.	40	MIN. AMB.	-25
DESIGN NO.	L6130A	TYPE		ENCL.	DP		
S.F.	1.00		D.E. BRG.	95BC02J30X			
ENCL MOD	FORCE VENT		O.D.E. BRG.	80BC03J30X			

REL S.O.	-	VOLTS	460	ENCLOSURE	DPFV	WYE CONN EQ CKT OHMS PER PHASE			
FRAME	RL3698	AMPS	298	MAX SAFE RPM	3750	(AT BASE RATING, 25 °C)			
HP	250	DUTY	CONT	IM (AMPS)	98	R1	.0191	X1	.122
BASE SPEED	1170	S.F.	1.0	P.F. @NL/FL	.041/.866	R2	.0142	X2	.106
PHASE/HERTZ	3/40	AMB °C/INSUL	40/H	WK ² (Lb-Ft ²)	35.4			XM	2.82

RATED FULL LOAD DATA

	RPM	HP	TORQUE LB-FT	FUND VOLTS	FREQ-HZ	AMPS
BASE SPEED	1171	250	1121	460	40	299
MAX SPEED	2002	250	656	460	68.6	301
MIN SPEED	0	0	1121	18.3	.968	299

LOAD PERFORMANCE AT BASE SPEED

	RPM	HP	TORQUE LB-FT	FUND VOLTS	FREQ-HZ	AMPS
NO LOAD	1200	0	0	460	40	95.5
1/4	1194	62.5	275	460	40	119
1/2	1187	125	554	460	40	168
3/4	1179	187	835	460	40	229
FULL LOAD	1171	250	1121	460	40	299
O/L	1151	369	1682	460	40	457

REMARKS: TYPICAL DATA

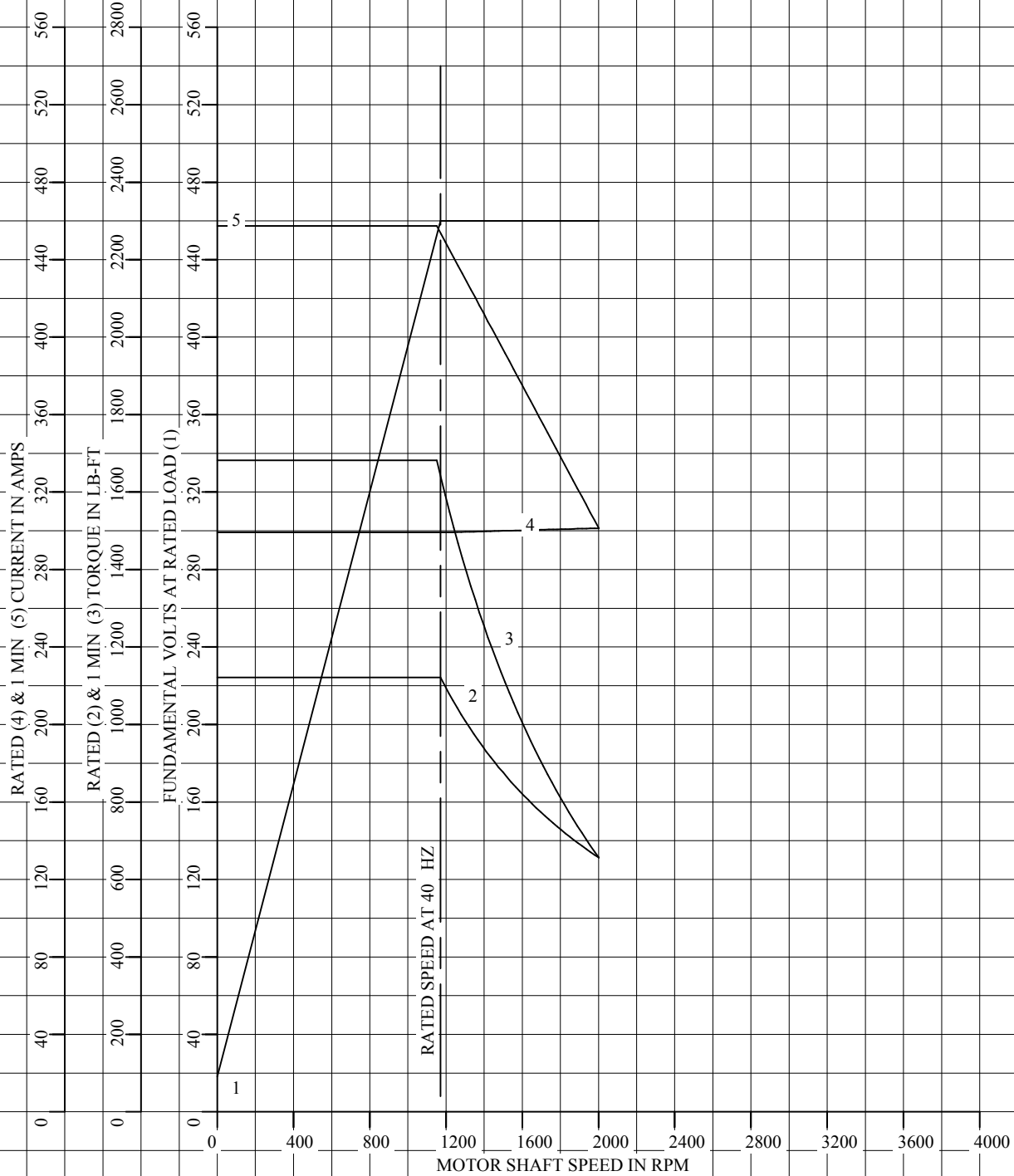


DR. BY K. GREEN
 CK. BY B. GRANT
 APP. BY J. MARTIN
 DATE 6-09-2014

**A-C MOTOR
 PERFORMANCE DATA** L6130A
 ISSUE DATE 7-14-17

REL S.O.	-	VOLTS	460	ENCLOSURE	DPFV	WYE CONN EQ CKT OHMS PER PHASE	
FRAME	RL3698	AMPS	298	MAX SAFE RPM	3750	(AT BASE RATING, 25 °C)	
HP	250	DUTY	CONT	IM (AMPS)	98	R1 .0191	X1 .122
BASE SPEED	1170	S.F.	1.0	P.F. @NL/FL	.041/.866	R2 .0142	X2 .106
PHASE/HERTZ	3/40	AMB °C/INSUL	40/H	WK ² (Lb-Ft ²)	35.4	XM 2.82	

VARIABLE SPEED AC MOTOR CURVES



REMARKS: TYPICAL DATA
DATA VALID FOR NAMEPLATE SPEED RANGE ONLY



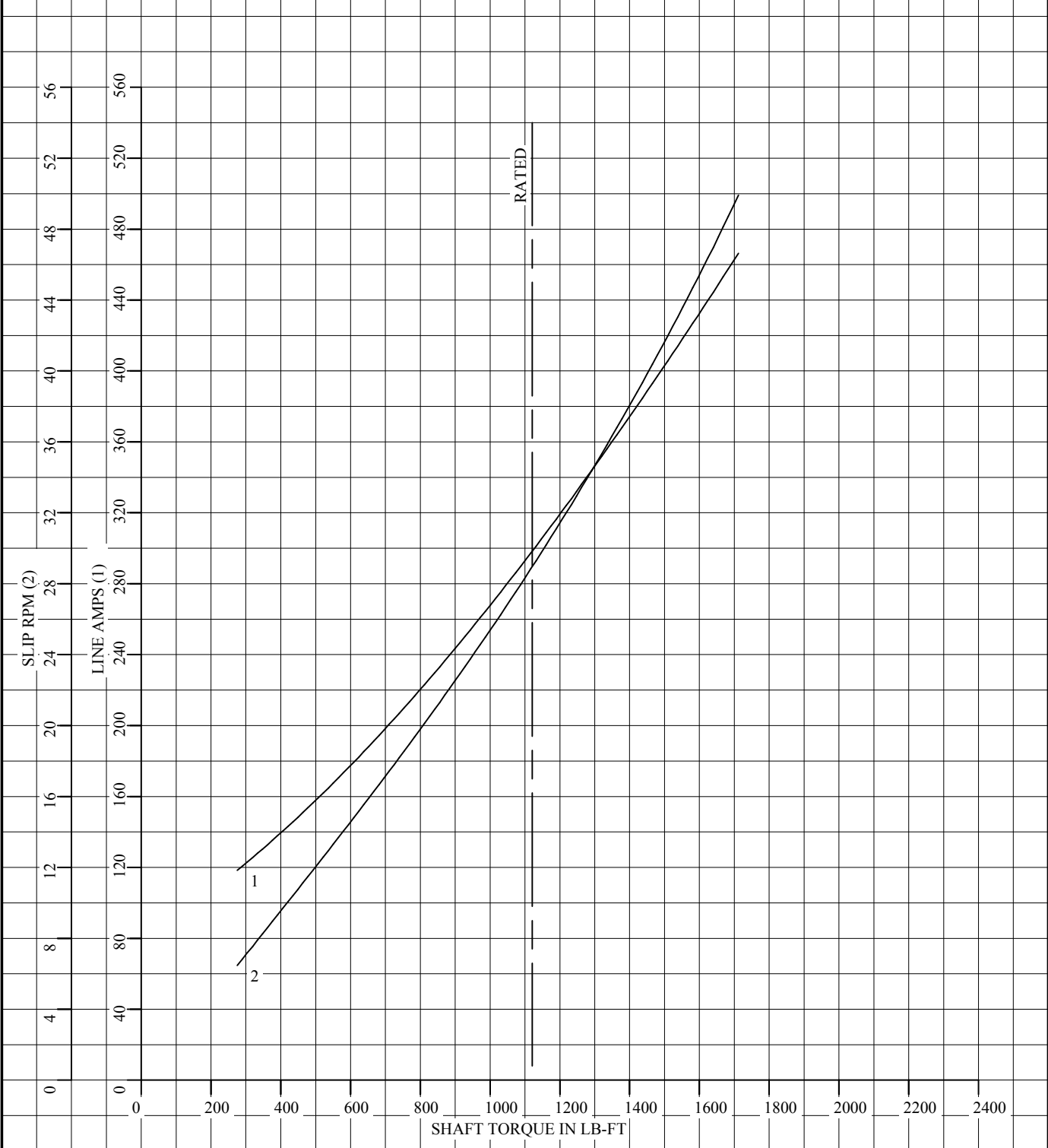
DR. BY K. GREEN
CK. BY B. GRANT
APP. BY J. MARTIN
DATE 6-09-2014

**A-C MOTOR
PERFORMANCE
CURVES**

L6130A
SH 1 OF 2
ISSUE DATE 7-14-17

REL S.O.	-	VOLTS	460	ENCLOSURE	DPFV	WYE CONN EQ CKT OHMS PER PHASE	
FRAME	RL3698	AMPS	298	MAX SAFE RPM	3750	(AT BASE RATING, 25 °C)	
HP	250	DUTY	CONT	IM (AMPS)	98	R1	.0191 X1 .122
BASE SPEED	1170	S.F.	1.0	P.F. @NL/FL	.041/.866	R2	.0142 X2 .106
PHASE/HERTZ	3/40	AMB °C/INSUL	40/H	WK ² (Lb-Ft ²)	35.4		XM 2.82

LOAD PERFORMANCE (CONSTANT V/HZ RANGE)



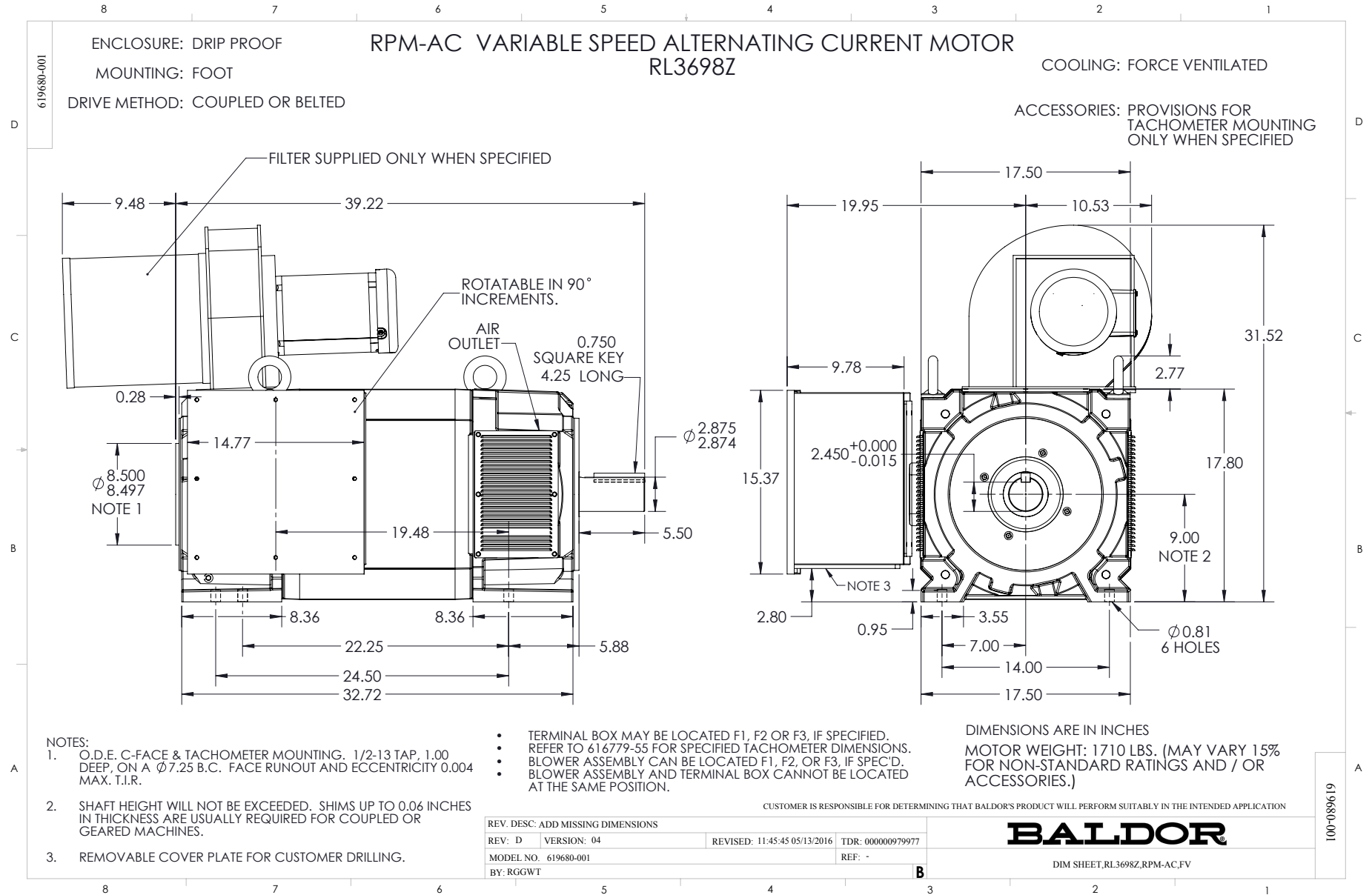
REMARKS: TYPICAL DATA
DATA VALID FOR NAMEPLATE SPEED RANGE ONLY



DR. BY K. GREEN
CK. BY B. GRANT
APP. BY J. MARTIN
DATE 6-09-2014

**A-C MOTOR
PERFORMANCE
CURVES**

L6130A
SH 2 OF 2
ISSUE DATE 7-14-17



NOTES:

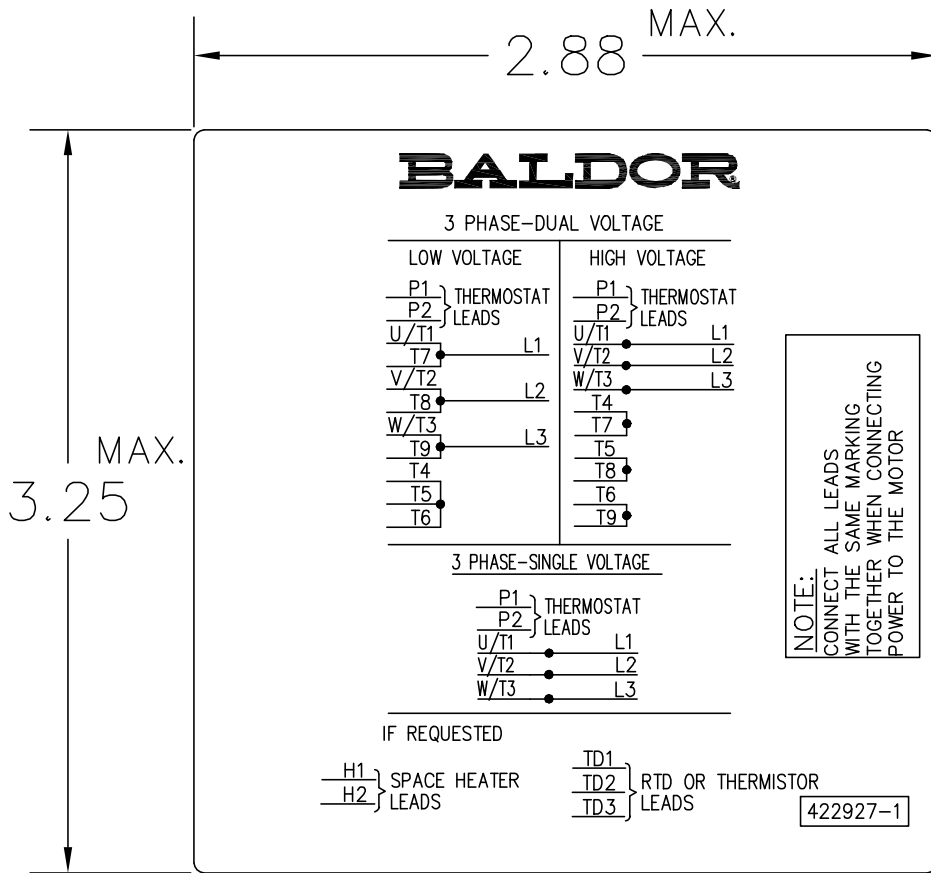
1. O.D.E. C-FACE & TACHOMETER MOUNTING. 1/2-13 TAP, 1.00 DEEP, ON A $\phi 7.25$ B.C. FACE RUNOUT AND ECCENTRICITY 0.004 MAX. T.I.R.
2. SHAFT HEIGHT WILL NOT BE EXCEEDED. SHIMS UP TO 0.06 INCHES IN THICKNESS ARE USUALLY REQUIRED FOR COUPLED OR GEARED MACHINES.
3. REMOVABLE COVER PLATE FOR CUSTOMER DRILLING.

- TERMINAL BOX MAY BE LOCATED F1, F2 OR F3, IF SPECIFIED. REFER TO 616779-55 FOR SPECIFIED TACHOMETER DIMENSIONS.
- BLOWER ASSEMBLY CAN BE LOCATED F1, F2, OR F3, IF SPEC'D.
- BLOWER ASSEMBLY AND TERMINAL BOX CANNOT BE LOCATED AT THE SAME POSITION.

DIMENSIONS ARE IN INCHES
MOTOR WEIGHT: 1710 LBS. (MAY VARY 15% FOR NON-STANDARD RATINGS AND / OR ACCESSORIES.)

CUSTOMER IS RESPONSIBLE FOR DETERMINING THAT BALDOR'S PRODUCT WILL PERFORM SUITABLY IN THE INTENDED APPLICATION

422927-001



NOTE:
DATA TO BE SIZED
SO THAT IT FITS INTO
MATERIAL DECAL
DIMENSIONS. MAKE
LETTERS & NUMBERS
AS LARGE AS POSSIBLE.

MATERIAL: CERAMATIC DGF-P4
PERMA GRIP ADHESIVE

ALL LETTERS, NUMBERS
AND LINES TO BE BLACK
ON WHITE BACKGROUND.

422927-001

REV. DESC: CHANGE BACKGROUND COLOR FROM GOLD TO WHITE		
REV. LTR: B	VERSION: 02	TDR: 00000788708
FILE: \RGG\00000\203	REVISED: 08:09:29 03/04/2013	
MTL: -	BY: RGGWT	

BALDOR

EXTERNAL CONNECTION LABEL

SH 1 of 1