

**BALDOR • RELIANCE**

---

# Customer information packet

## IDDRPM323004R1

300HP, 1750, 460V, RL3213, DPFV, F1

## Specifications

Enclosure	DPFV
Frame	RL3213Z
Frame Material	Exposed Laminations
Frequency	60.00 Hz
Output @ Frequency	300.000 HP @ 60 HZ
Phase	3
Synchronous Speed @ Frequency	1800 RPM @ 60 HZ
Voltage @ Frequency	460.0 V @ 60 HZ
Agency Approvals	CCSA US
Auxillary Box	No Auxillary Box
Base Indicator	Rigid
Bearing Grease Type	Polyrex EM (-20F +300F)
Current @ Voltage	351.000 A @ 460.0 V
Duty Rating	CONT
Feedback Device	NO FEEDBACK
Frame Prefix	RL
Heater Indicator	No Heater
High Voltage Full Load Amps	351.0 a
Insulation Class	H
Motor Standards	NEMA
Mounting Arrangement	F1
Overall Length	41.14 IN
Product Family	General Industrial
Pulley End Bearing Type	Ball
Pulley Face Code	Standard
Service Factor	1.00
Shaft Diameter	2.874 IN
Shaft Ground Indicator	Shaft Grounding
Shaft Rotation	Reversible
Speed	1770 rpm
Starting Method	Full Voltage
Thermal Device - Bearing	None

## Part detail

Revision	A
Type	AC
Mech. spec.	
Base	
Status	PRD/A
Elec. spec.	L9456A
Layout	619695-001
Eff. date	06-02-2023
CD Diagram	422927-001
Poles	04
Leads	
Proprietary	False
Created date	02-02-2023

**Thermal Device - Winding**

**Normally Closed Thermostat**

---

**Nameplate**

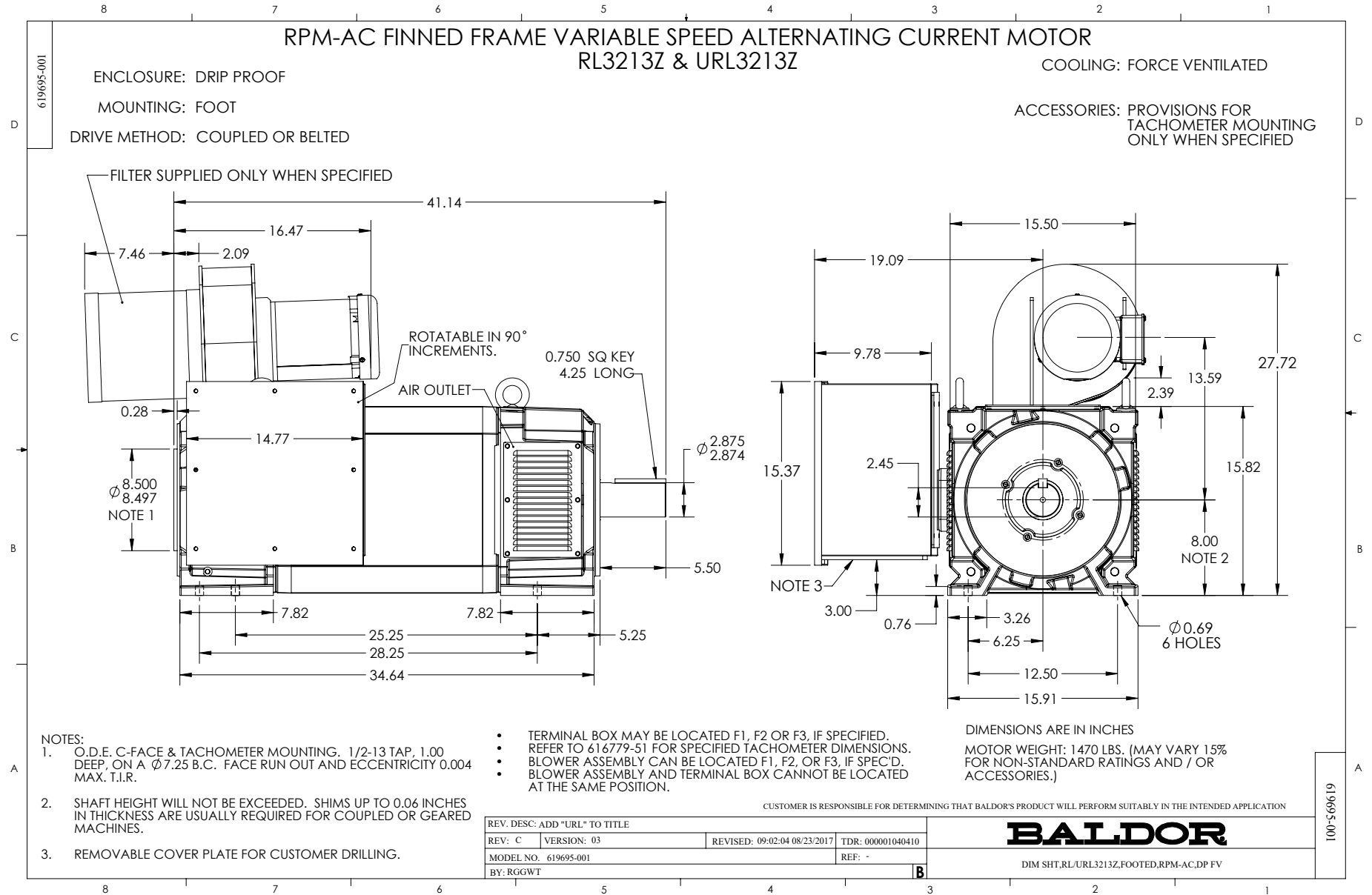
**000613006MY**

	<b>DUTY</b>	<b>HP</b>	<b>RPM</b>	<b>AMPS</b>	<b>VOLTS</b>	<b>HZ</b>	
	CONT	300	1770	351	460		60
	CONT	300	3000	340	460		101.6
<b>CAT.NO.</b>	IDDRPM323004R1		<b>SPEC. NO.</b>		R32-A000-0406		
<b>SER.NO</b>			<b>FR</b>	RL3213Z	<b>INSUL</b>	H	
<b>PH.</b>	3	<b>MAX SAFE SPEED</b>		4000	<b>AMB.</b>	40	<b>MIN. AMB.</b> -25
<b>DESIGN NO.</b>	L9456A		<b>TYPE</b>		<b>ENCL.</b>	DPG-FV	
<b>S.F.</b>	1.00		<b>D.E. BRG.</b>	85BC02J30X			
<b>ENCL MOD</b>			<b>O.D.E. BRG.</b>	65BC03J30X			



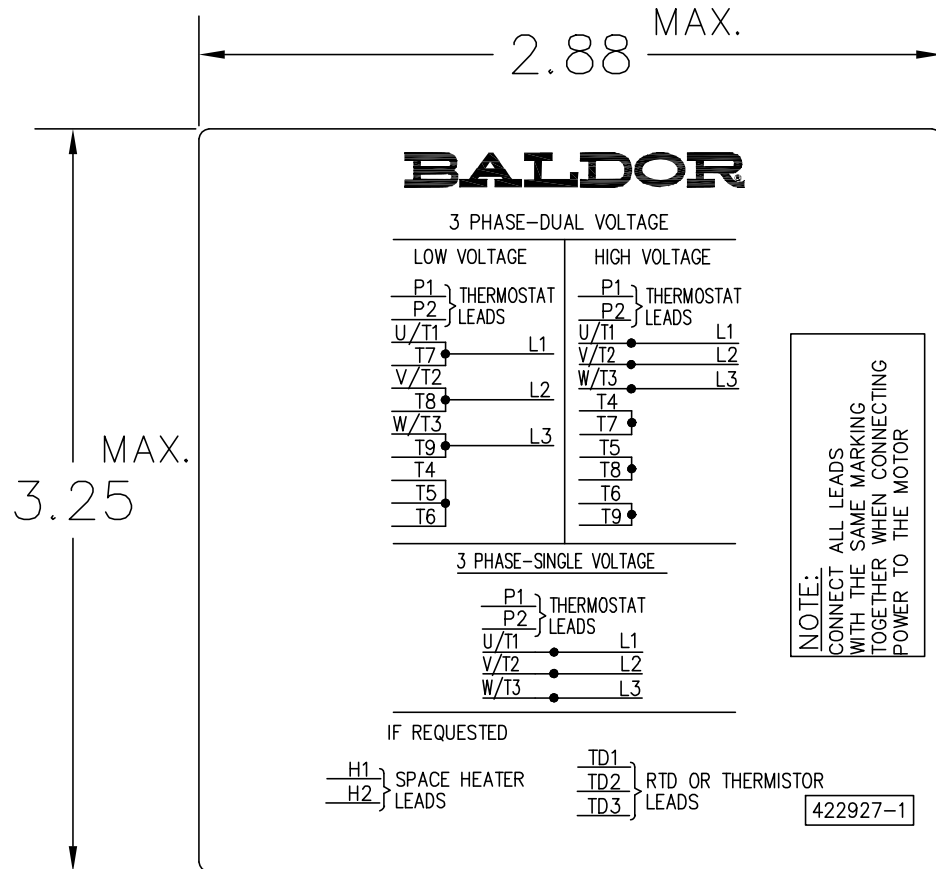








422927-001



NOTE:  
DATA TO BE SIZED  
SO THAT IT FITS INTO  
MATERIAL DECAL  
DIMENSIONS. MAKE  
LETTERS & NUMBERS  
AS LARGE AS POSSIBLE.

MATERIAL: CERAMATIC DGF-P4  
PERMA GRIP ADHESIVE

ALL LETTERS, NUMBERS  
AND LINES TO BE BLACK  
ON WHITE BACKGROUND.

NOTE:  
CONNECT ALL LEADS  
WITH THE SAME MARKING  
TOGETHER WHEN CONNECTING  
POWER TO THE MOTOR

422927-1

422927-001

REV. DESC: CHANGE BACKGROUND COLOR FROM GOLD TO WHITE		
REV. LTR: B	VERSION: 02	TDR: 00000788708
FILE: \RGG\00000\203	REVISED: 08:09:29 03/04/2013	
MTL: -	BY: RGGWT	

**BALDOR**

EXTERNAL CONNECTION LABEL

SH 1 of 1