

BALDOR® • RELIANCE™

Customer information packet

IDDRPM322504R1ED

250HP, 1750, 460V, RL3203, DPFV, F1

Specifications

Enclosure	DPFV
Frame	RL3203Z
Frame Material	Exposed Laminations
Frequency	60.00 Hz
Output @ Frequency	250.000 HP @ 60 HZ
Phase	3
Synchronous Speed @ Frequency	1800 RPM @ 60 HZ
Voltage @ Frequency	460.0 V @ 60 HZ
Agency Approvals	CCSA US
Auxillary Box	No Auxillary Box
Base Indicator	Rigid
Bearing Grease Type	Polyrex EM (-20F +300F)
Current @ Voltage	291.000 A @ 460.0 V
Duty Rating	CONT
Feedback Device	NO FEEDBACK
Frame Prefix	RL
Heater Indicator	No Heater
High Voltage Full Load Amps	291.0 a
Insulation Class	H
IP Rating	NONE
Motor Standards	NEMA
Mounting Arrangement	F1
Overall Length	46.10 IN
Product Family	Extruder
Pulley End Bearing Type	Ball
Pulley Face Code	Standard
Service Factor	1.00
Shaft Diameter	2.874 IN
Shaft Ground Indicator	Shaft Grounding
Shaft Rotation	Reversible
Speed	1770 rpm
Starting Method	Full Voltage

Part detail

Revision	-
Type	AC
Mech. spec.	
Base	
Status	PRD/A
Elec. spec.	L9455A
Layout	619691-001
Eff. date	03-15-2023
CD Diagram	422927-001
Poles	04
Leads	
Proprietary	False
Created date	02-28-2023

Thermal Device - Bearing

None

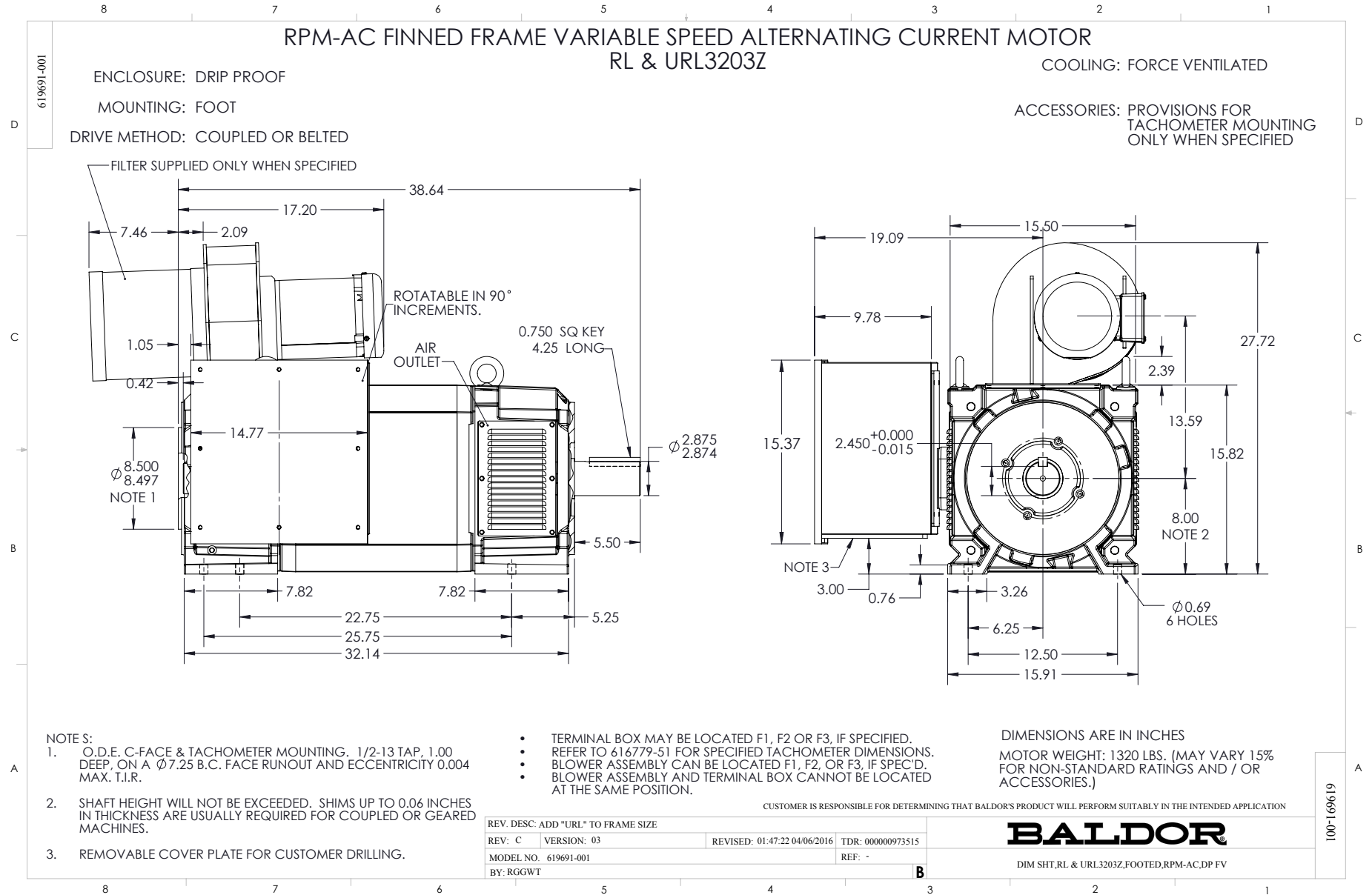
Thermal Device - Winding

Thermostat And RTD

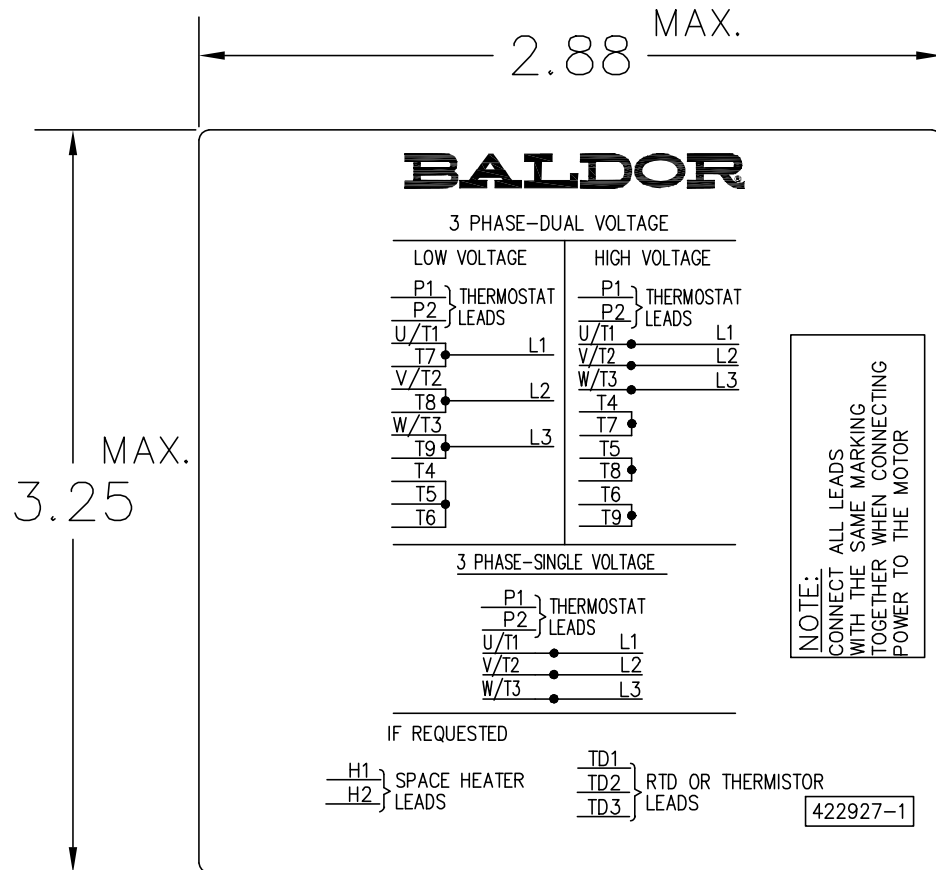
Nameplate

000613006ABS

	DUTY	HP	RPM	AMPS	VOLTS	HZ	
	CONT	250	1770	291	460		60
	CONT	250	2212	281	460		75
	CONT	250	2948	284	460		100
CAT.NO.	IDDRPM322504R1ED		SPEC. NO.	R32-A000-0411			
SER.NO.		FR	RL3203Z	INSUL	H		
PH.	3	MAX SAFE SPEED	4000	AMB.	40	MIN. AMB.	-25
DESIGN NO.	L9455A	TYPE		ENCL.	DPG-FV		
S.F.	1.00	D.E. BRG.	85BC02J30X				
ENCL MOD		O.D.E. BRG.	6313/C3VL0241				
	IP23						



422927-001



NOTE:
DATA TO BE SIZED
SO THAT IT FITS INTO
MATERIAL DECAL
DIMENSIONS. MAKE
LETTERS & NUMBERS
AS LARGE AS POSSIBLE.

MATERIAL: CERAMATIC DGF-P4
PERMA GRIP ADHESIVE

ALL LETTERS, NUMBERS
AND LINES TO BE BLACK
ON WHITE BACKGROUND.

422927-001

REV. DESC: CHANGE BACKGROUND COLOR FROM GOLD TO WHITE		
REV. LTR: B	VERSION: 02	TDR: 00000788708
FILE: \RGG\00000\203	REVISED: 08:09:29 03/04/2013	
MTL: -	BY: RGGWT	

BALDOR

EXTERNAL CONNECTION LABEL

SH 1 of 1