

**BALDOR® • RELIANCE®**

---

# Customer information packet

## IDDRPM322006R1

200HP, 1150, 460V, RL3213, DPFV, F1

## Specifications

|                               |                         |
|-------------------------------|-------------------------|
| Enclosure                     | DPFV                    |
| Frame                         | RL3213Z                 |
| Frame Material                | Exposed Laminations     |
| Frequency                     | 40.00 Hz                |
| Output @ Frequency            | 200.000 HP @ 40 HZ      |
| Phase                         | 3                       |
| Synchronous Speed @ Frequency | 1200 RPM @ 40 HZ        |
| Voltage @ Frequency           | 460.0 V @ 40 HZ         |
| Agency Approvals              | CCSA US                 |
| Auxillary Box                 | No Auxillary Box        |
| Base Indicator                | Rigid                   |
| Bearing Grease Type           | Polyrex EM (-20F +300F) |
| Current @ Voltage             | 236.000 A @ 460.0 V     |
| Duty Rating                   | CONT                    |
| Feedback Device               | NO FEEDBACK             |
| Frame Prefix                  | RL                      |
| Heater Indicator              | No Heater               |
| High Voltage Full Load Amps   | 236.0 a                 |
| Insulation Class              | H                       |
| IP Rating                     | NONE                    |
| Motor Standards               | NEMA                    |
| Mounting Arrangement          | F1                      |
| Overall Length                | 41.14 IN                |
| Product Family                | General Industrial      |
| Pulley End Bearing Type       | Ball                    |
| Pulley Face Code              | Standard                |
| Service Factor                | 1.00                    |
| Shaft Diameter                | 2.874 IN                |
| Shaft Ground Indicator        | Shaft Grounding         |
| Shaft Rotation                | Reversible              |
| Speed                         | 1170 rpm                |
| Thermal Device - Bearing      | None                    |

## Part detail

|              |            |
|--------------|------------|
| Revision     | D          |
| Type         | AC         |
| Mech. spec.  |            |
| Base         |            |
| Status       | PRD/A      |
| Elec. spec.  | L1699A     |
| Layout       | 619695-001 |
| Eff. date    | 05-03-2022 |
| CD Diagram   | 422927-001 |
| Poles        | 04         |
| Leads        |            |
| Proprietary  | False      |
| Created date | 11-30-2015 |

**Thermal Device - Winding**

**Normally Closed Thermostat**

---

**Nameplate**

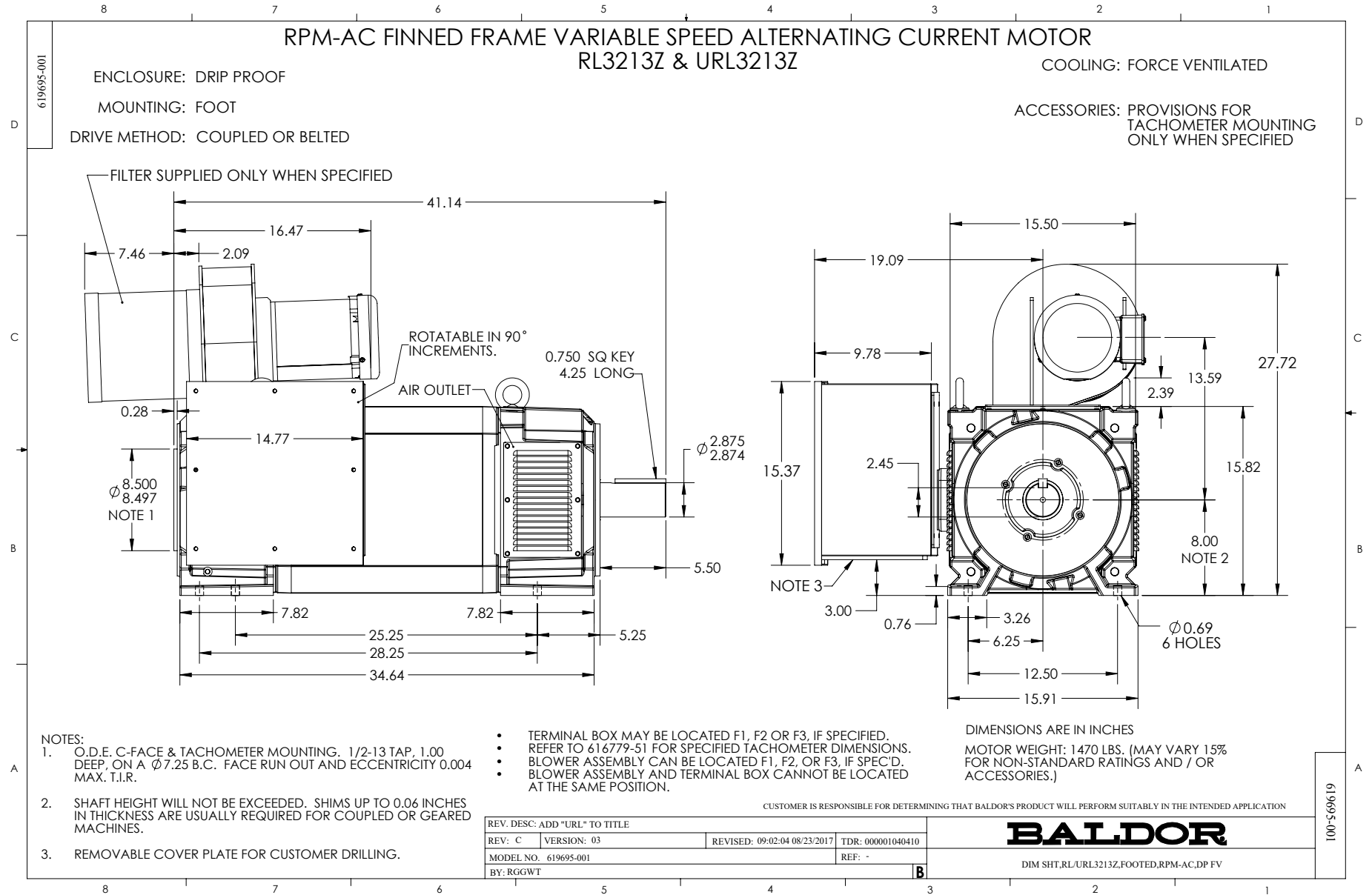
**000613006MY**

|                   | <b>DUTY</b>    | <b>HP</b>             | <b>RPM</b>       | <b>AMPS</b>   | <b>VOLTS</b> | <b>HZ</b>        |      |
|-------------------|----------------|-----------------------|------------------|---------------|--------------|------------------|------|
|                   | CONT           | 200                   | 1170             | 236           | 460          |                  | 40   |
|                   | CONT           | 200                   | 1750             | 226           | 460          |                  | 60   |
|                   | CONT           | 200                   | 2000             | 230           | 460          |                  | 68.4 |
| <b>CAT.NO.</b>    | IDDRPM322006R1 |                       | <b>SPEC. NO.</b> | R32-A000-0010 |              |                  |      |
| <b>SER.NO</b>     |                | <b>FR</b>             | RL3213Z          | <b>INSUL</b>  | H            |                  |      |
| <b>PH.</b>        | 3              | <b>MAX SAFE SPEED</b> | 4000             | <b>AMB.</b>   | 40           | <b>MIN. AMB.</b> | -25  |
| <b>DESIGN NO.</b> | L1699A         | <b>TYPE</b>           |                  | <b>ENCL.</b>  | DPG-FV       |                  |      |
| <b>S.F.</b>       | 1.00           | <b>D.E. BRG.</b>      | 85BC02J30X       |               |              |                  |      |
| <b>ENCL MOD</b>   |                | <b>O.D.E. BRG.</b>    | 65BC03J30X       |               |              |                  |      |



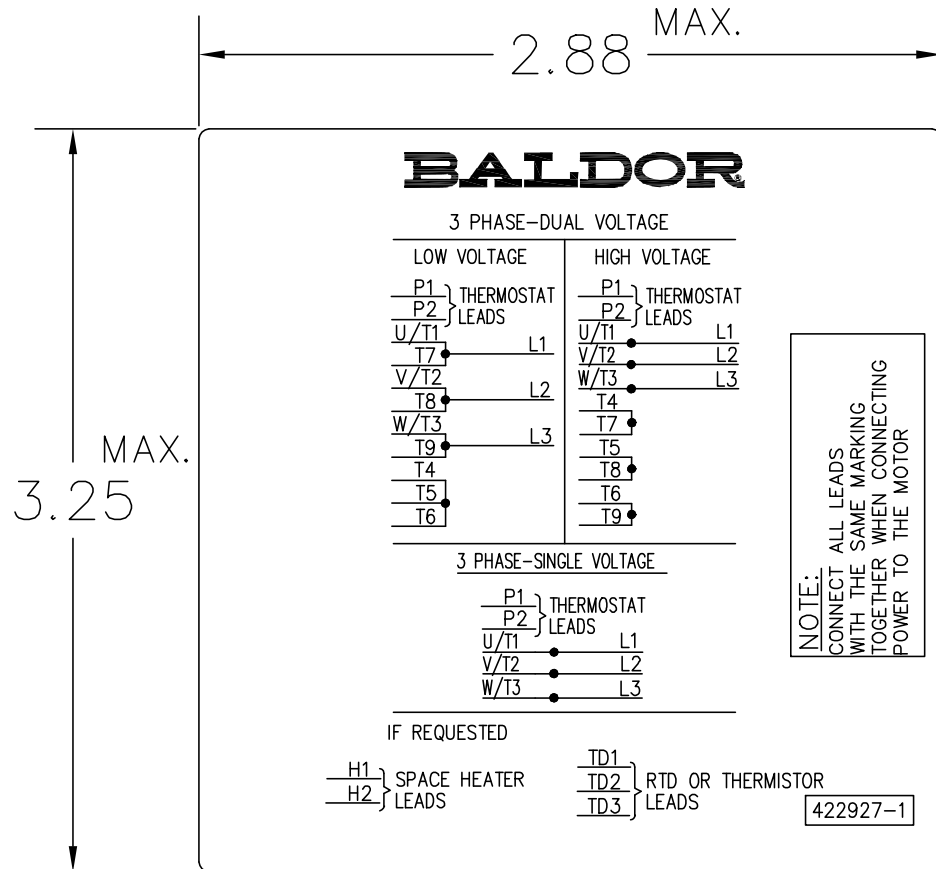








422927-001



NOTE:  
DATA TO BE SIZED  
SO THAT IT FITS INTO  
MATERIAL DECAL  
DIMENSIONS. MAKE  
LETTERS & NUMBERS  
AS LARGE AS POSSIBLE.

MATERIAL: CERAMATIC DGF-P4  
PERMA GRIP ADHESIVE

ALL LETTERS, NUMBERS  
AND LINES TO BE BLACK  
ON WHITE BACKGROUND.

422927-001

|   |                              |                  |
|---|------------------------------|------------------|
| REV. DESC: CHANGE BACKGROUND COLOR FROM GOLD TO WHITE |                              |                  |
| REV. LTR: B   | VERSION: 02                  | TDR: 00000788708 |
| FILE: \RGG\00000\203                                  | REVISED: 08:09:29 03/04/2013 |                  |
| MTL: -  | BY: RGGWT                    |                  |

**BALDOR**

EXTERNAL CONNECTION LABEL

SH 1 of 1