

ABB BALDOR RELIANCE III

Customer information packet IDDRPM282004

200HP, 1750, 460V, RL2898, DPFV, F1

Specifications

Enclosure	DPFV
Frame	RL2898Z
Frame Material	Exposed Laminations
Frequency	60.00 Hz
Output @ Frequency	200.000 HP @ 60 HZ
Phase	3
Synchronous Speed @ Frequency	1800 RPM @ 60 HZ
Voltage @ Frequency	460.0 V @ 60 HZ
Agency Approvals	CCSA US
Auxiliary Box	NO AUXILLARY BOX
Base Indicator	Rigid
Bearing Grease Type	Polyrex EM (-20F +300F)
Current @ Voltage	237.000 A @ 460.0 V
Duty Rating	CONT
Feedback Device	NO FEEDBACK
Frame Prefix	RL
Heater Indicator	No Heater
High Voltage Full Load Amps	237.0 a
Insulation Class	H
IP Rating	NONE
Motor Standards	NEMA
Mounting Arrangement	F1
Overall Length	42.43 IN
Product Family	General Industrial
Pulley End Bearing Type	Ball
Pulley Face Code	Standard
Service Factor	1.00
Shaft Diameter	2.624 IN
Shaft Ground Indicator	Shaft Grounding
Shaft Rotation	Reversible
Speed	1760 rpm
Starting Method	Full Voltage

Part Detail

Revision	C
Type	AC
Mech. spec.	
Base	
Status	PRD/A
Elec. spec.	L1642A
Layout	617249-396
Eff. date	12-21-2022
CD Diagram	422927-001
Poles	04
Leads	
Proprietary	False
Created date	10-28-2021

Thermal Device - Bearing

None

Thermal Device - Winding

Normally Closed Thermostat

Nameplate

000613006MY

	DUTY	HP	RPM	AMPS	VOLTS	HZ	
	CONT	200	1760		237	460	60
	CONT	200	2700		241	460	92.2
CAT.NO.	IDDRPM282004		SPEC. NO.		R28-A000-0371		
SER.NO			FR	RL2898Z	INSUL	H	
PH.	3	MAX SAFE SPEED		5000	AMB.	40	MIN. AMB. -25
DESIGN NO.	L1642A		TYPE		ENCL.	DPG-FV	
S.F.	1.00		D.E. BRG.		75BC02J30X		
ENCL MOD			O.D.E. BRG.		55BC02J30X		
	IP23						

REL S.O.	-	VOLTS	460	ENCLOSURE	DPFV	WYE CONN EQ CKT OHMS PER PHASE			
FRAME	RL2898	AMPS	237	MAX SAFE RPM	5000	(AT BASE RATING, 25 °C)			
HP	200	DUTY	CONT	IM (AMPS)	72	R1	.0208	X1	.148
BASE SPEED	1760	S.F.	1.0	P.F. @NL/FL	.052/.867	R2	.0154	X2	.153
PHASE/HERTZ	3/60	AMB °C/INSUL	40/H	WK ² (Lb-Ft ²)	11.1			XM	3.75

RATED FULL LOAD DATA

	RPM	HP	TORQUE LB-FT	FUND VOLTS	FREQ-HZ	AMPS
BASE SPEED	1766	200	595	460	60	237
MAX SPEED	2707	200	388	460	92.2	242
MIN SPEED	0	0	595	15.3	1.13	237

LOAD PERFORMANCE AT BASE SPEED

	RPM	HP	TORQUE LB-FT	FUND VOLTS	FREQ-HZ	AMPS
NO LOAD	1800	0	0	460	60	70.5
1/4	1792	50.0	147	460	60	91.5
1/2	1784	100	294	460	60	131
3/4	1776	150	444	460	60	181
FULL LOAD	1766	200	595	460	60	237
O/L	1743	296	893	460	60	363

REMARKS: TYPICAL DATA

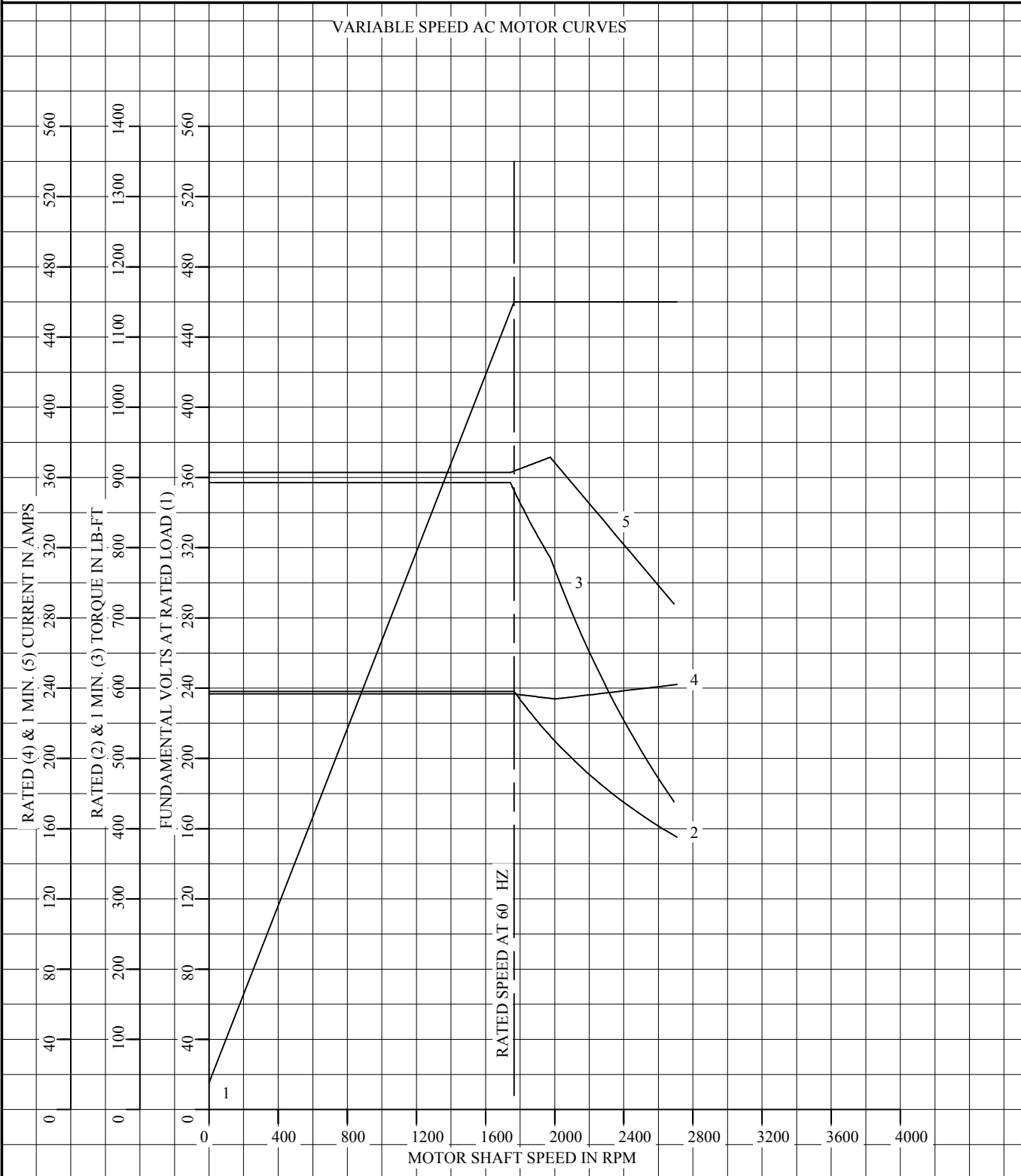


DR. BY M. ORDERS
 CK. BY B. GRANT
 APP. BY T. EVON
 DATE 12/9/99

**A-C MOTOR
 PERFORMANCE DATA** L1642A
 ISSUE DATE 12-10-09

REL S.O.	-	VOLTS	460	ENCLOSURE	DPFV	WYE CONN EQ CKT OHMS PER PHASE	
FRAME	RL2898	AMPS	237	MAX SAFE RPM	5000	(AT BASE RATING, 25 °C)	
HP	200	DUTY	CONT	IM (AMPS)	72	R1	.0208 X1 .148
BASE SPEED	1760	S.F.	1.0	P.F. @NL/FL	.052/.867	R2	.0154 X2 .153
PHASE/HERTZ	3/60	AMB °C/INSUL	40/H	WK ² (Lb-Ft ²)	11.1		XM 3.75

VARIABLE SPEED AC MOTOR CURVES



REMARKS: TYPICAL DATA
DATA VALID FOR NAMEPLATE SPEED RANGE ONLY



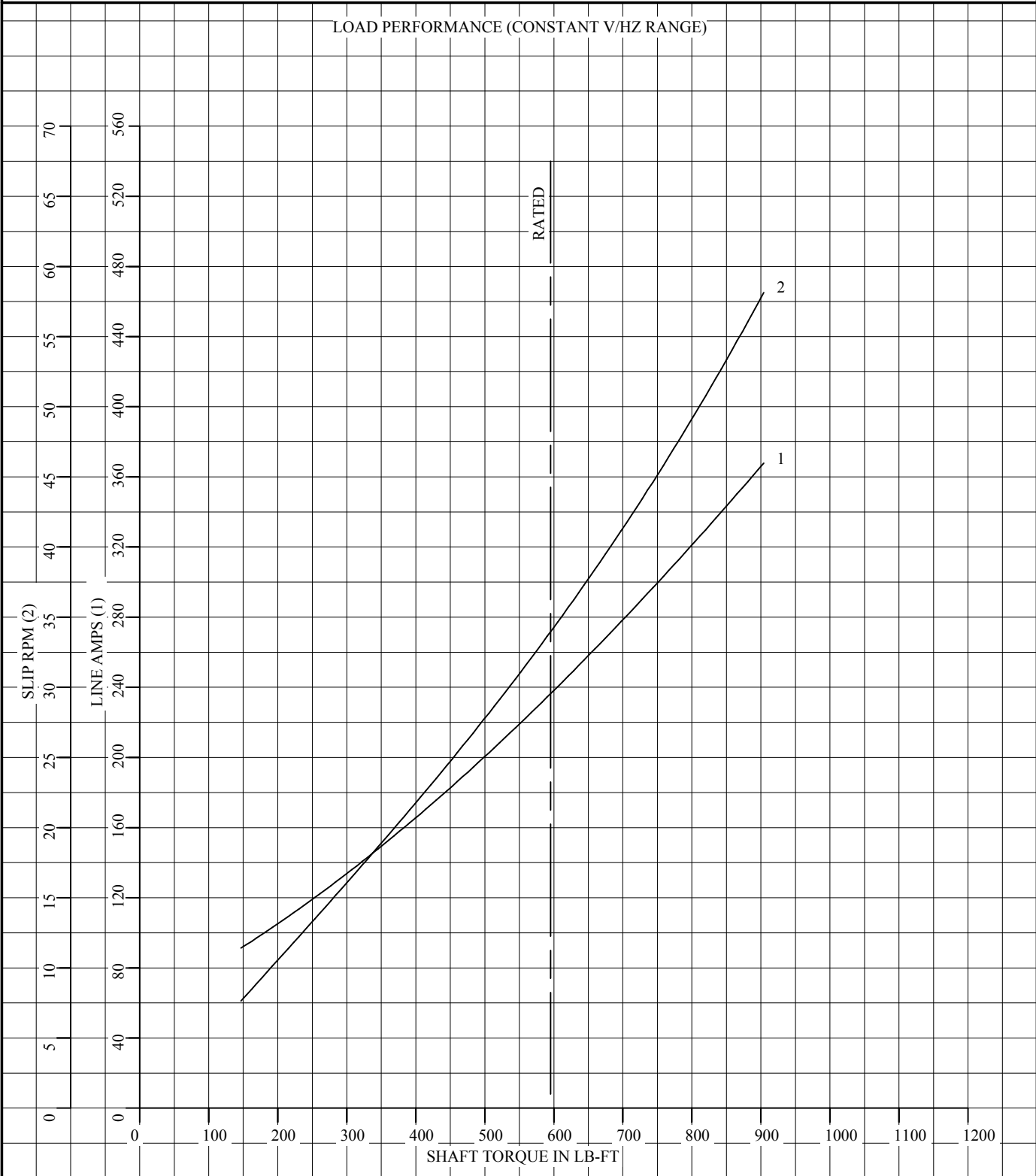
DR. BY M. ORDERS
CK. BY B. GRANT
APP. BY T. EVON
DATE 12/9/99

**A-C MOTOR
PERFORMANCE
CURVES**

L1642A
SH 1 OF 2
ISSUE DATE 12-10-09

REL S.O.	-	VOLTS	460	ENCLOSURE	DPFV	WYE CONN EQ CKT OHMS PER PHASE	
FRAME	RL2898	AMPS	237	MAX SAFE RPM	5000	(AT BASE RATING, 25 °C)	
HP	200	DUTY	CONT	IM (AMPS)	72	R1	.0208 X1 .148
BASE SPEED	1760	S.F.	1.0	P.F. @NL/FL	.052/.867	R2	.0154 X2 .153
PHASE/HERTZ	3/60	AMB °C/INSUL	40/H	WK ² (Lb-Ft ²)	11.1		XM 3.75

LOAD PERFORMANCE (CONSTANT V/Hz RANGE)



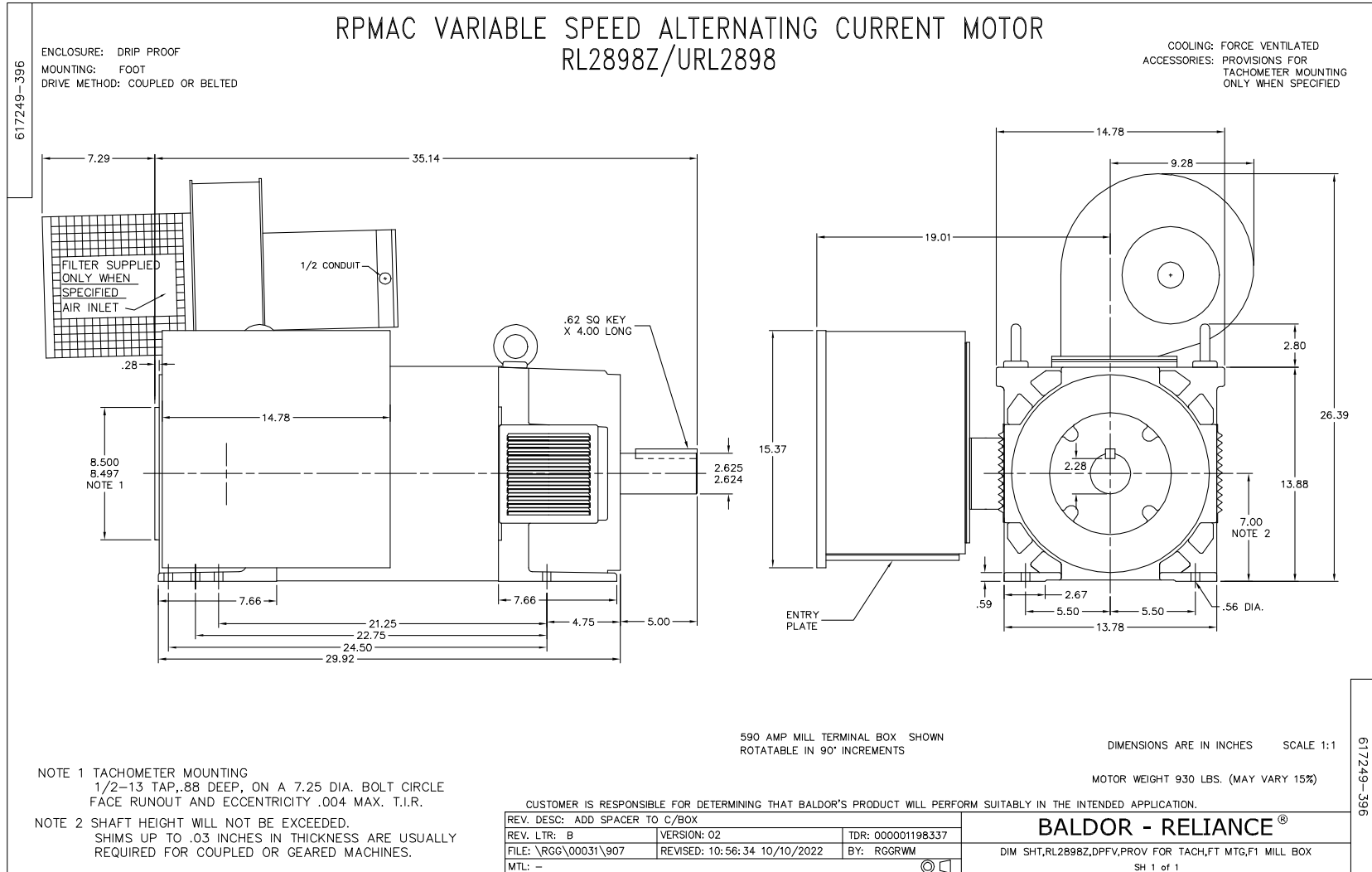
REMARKS: TYPICAL DATA
DATA VALID FOR NAMEPLATE SPEED RANGE ONLY



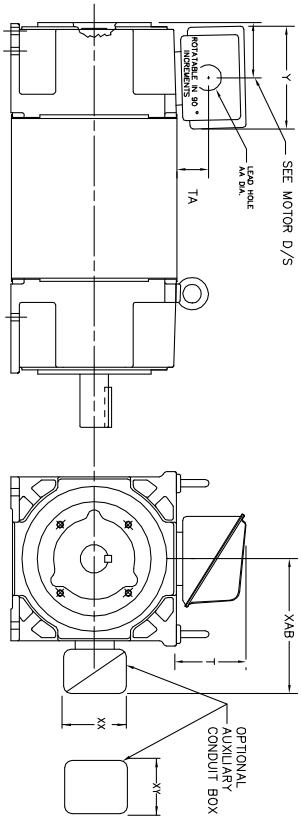
DR. BY M. ORDERS
CK. BY B. GRANT
APP. BY T. EVON
DATE 12/9/99

**A-C MOTOR
PERFORMANCE
CURVES**

L1642A
SH 2 OF 2
ISSUE DATE 12-10-09



INDUSTRIAL ALTERNATING CURRENT MOTORS
RPM AC
 STEEL, CAST IRON, MILL AND TERMINAL BOARD CONDUIT BOX DIMENSIONS
 NEMA FRAMES RL210 thru RL280 and IEC FRAMES RDL132 thru RDL180
 NEMA FRAMES FL180 thru FL280 and IEC FRAMES FDL112 thru FDL180



FRAME	TYPE	TERMINAL STRIP	AMPS	C/BOX	Y	TA	T	AA
FL180	STEEL	N	40	706320003A	5.00	1.62	3.00	1.12
FL180	STEEL	N	75	706320003A	6.12	2.38	4.38	1.75/2.00
FL180	STEEL	N	208	706320007A	6.82	2.00	7.00	2.50/2.00
FL180	CAST IRON	N	208	706320007A	6.78	2.38	4.38	1.50/2.00
FL180 & FDL11	MILL	Y	100	706310028A	7.75	2.30	4.40	PC29/PG16
FL210 & RL210	STEEL	N	61	0754520009	6.34	2.00	4.12	1.75
FL210 & RL210	STEEL	N	121	0754520009	7.69	2.38	5.25	1.94
FL210 & RL210	STEEL	N	336	706320016A	9.00	4.12	8.42	4.89
FL210 & RL210	CAST IRON	N	110	075460052B	7.25	2.50	5.25	1.5 TAP
FL210 & RL210	MILL	Y	100	7063100229A	7.75	2.30	4.40	PC29/PG16
FL210 & RL210	MILL	Y	160	706310056A	9.00	3.06	5.40	PC36/PG16
FL210 & RL210	MILL	Y/N	235	706310056B	11.42	4.00	6.72	2.50
FL250 & RL250	STEEL	N	61	0754520009	6.34	2.00	4.12	1.75
FL250 & RL250	STEEL	N	121	0754520009	7.69	2.38	5.25	1.94
FL250 & RL250	CAST IRON	N	110	075460052B	7.25	2.50	5.25	1.5 TAP
FL250 & RL250	CAST IRON	N	210	706320016A	10.50	4.88	9.00	4.0 TAP
FL250 & RL250	MILL	Y	100	7063100229A	7.75	2.30	4.40	PC29/PG16
FL250 & RL250	MILL	Y	160	706310056B	9.00	3.06	5.40	PC36/PG16
FL250 & RL250	MILL	Y/N	235	706310056B	11.42	4.00	6.72	2.50
FL250 & RL250	MILL	Y	400	706310063B	14.39	7.43	12.15	BLANK

FRAME	TYPE	TERMINAL STRIP	AMPS	C/BOX	Y	TA	T	AA
FL280 & RL280	STEEL	N	160	706320007A	7.25	3.50	7.06	2.50
FL280 & RL280	STEEL	N	306	706320016A	9.00	4.12	8.42	4.89
FL280 & RL280	STEEL	N	500	702656001C	14.62	7.56	12.70	5.00
FL280 & RL280	CAST IRON	N	140	706320012B	9.25	4.81	8.56	3.0 TAP
FL280 & RL280	CAST IRON	N	210	706320015A	10.50	4.88	9.00	4.0 TAP
FL280 & RL280	CAST IRON	N	510	706320014D	15.00	7.56	12.81	5.0 TAP
FL280 & RL280	MILL	Y	100	706310056A	7.75	2.30	4.40	PC29/PG16
FL280 & RL280	MILL	Y	160	706310056B	9.00	3.06	5.40	PC36/PG16
FL280 & RL280	MILL	Y/N	235	706310057A	11.42	4.00	6.72	2.50
FL280 & RL280	MILL	Y	400	706310063B	14.39	7.43	12.15	BLANK

FRAME SIZE	OPTIONAL AUXILIARY CONDUIT BOX DIMENSIONS (MAXIMUM)								
	XAB	XX	XY	PART NUMBER	FRAME SIZE	PART NUMBER			
FL210/FL180/FL132	7.38	4.25	4.25	602007-26-A	FL210/FL180/FL132	10.88	8.00	8.00	706310-3-B
FL250/FL180/FL132	8.44	4.25	4.25	602007-26-A	FL250/FL180/FL132	11.88	8.00	8.00	706310-3-B
FL280/FL180/FL132	9.12	4.25	4.25	602007-26-A	FL280/FL180/FL132	12.62	8.00	8.00	706310-3-B

(1) 7/8" CONDUIT.
 (2) 1/2" PIPE TAP.
 (3) CUSTOMER TO PROVIDE WIRE TYPE CONDUIT.
 (4) 2" DIA. SA OR 1" DIA. DN -40.

TERMINAL BOX CAN BE ROTATED FOR LEAD INLET AT TOP, SIDES OR BOTTOM.
 TERMINAL BOX LOCATED ON OPPOSITE SIDE WHEN F-2, V-1, V-4, V-5, V-7,
 OR C-1 MOUNTING IS SPECIFIED. BOX LOCATED ON TOP WHEN SPECIFIED.

CUSTOMER IS RESPONSIBLE FOR DETERMINING THAT BALDOR'S PRODUCT WILL PERFORM SUITABLY IN THE INTENDED APPLICATION.

REV. DESC: ADD 706310-637 & 639 BOX	VERSION: 06	TDR: 000001180260
REV. LTR: F	REVISED: 11: 08: 56 10/26/2021	BY: RCGRWM
FILE: \RGG\00003\692		
MTL: -		

BALDOR - RELIANCE®
 DIM SHT NEMA RL210-RL280 FL180-FL280 IEC RDL132-RDL180
 SH 1 of 1

422927-001



NOTE:
DATA TO BE SIZED
SO THAT IT FITS INTO
MATERIAL DECAL
DIMENSIONS. MAKE
LETTERS & NUMBERS
AS LARGE AS POSSIBLE.

MATERIAL: CERAMATIC DGF-P4
PERMA GRIP ADHESIVE

ALL LETTERS, NUMBERS
AND LINES TO BE BLACK
ON WHITE BACKGROUND.

422927-001

REV. DESC: CHANGE BACKGROUND COLOR FROM GOLD TO WHITE		
REV. LTR: B	VERSION: 02	TDR: 00000788708
FILE: \RGG\00000\203	REVISED: 08:09:29 03/04/2013	
MTL: -	BY: RGGWT	

BALDOR

EXTERNAL CONNECTION LABEL

SH 1 of 1