

**BALDOR • RELIANCE**

---

**Customer information packet**  
**IDDRPM18204C**

20HP, 1755RPM, 3PH, 60HZ, 1852C, TEBC, FT/250

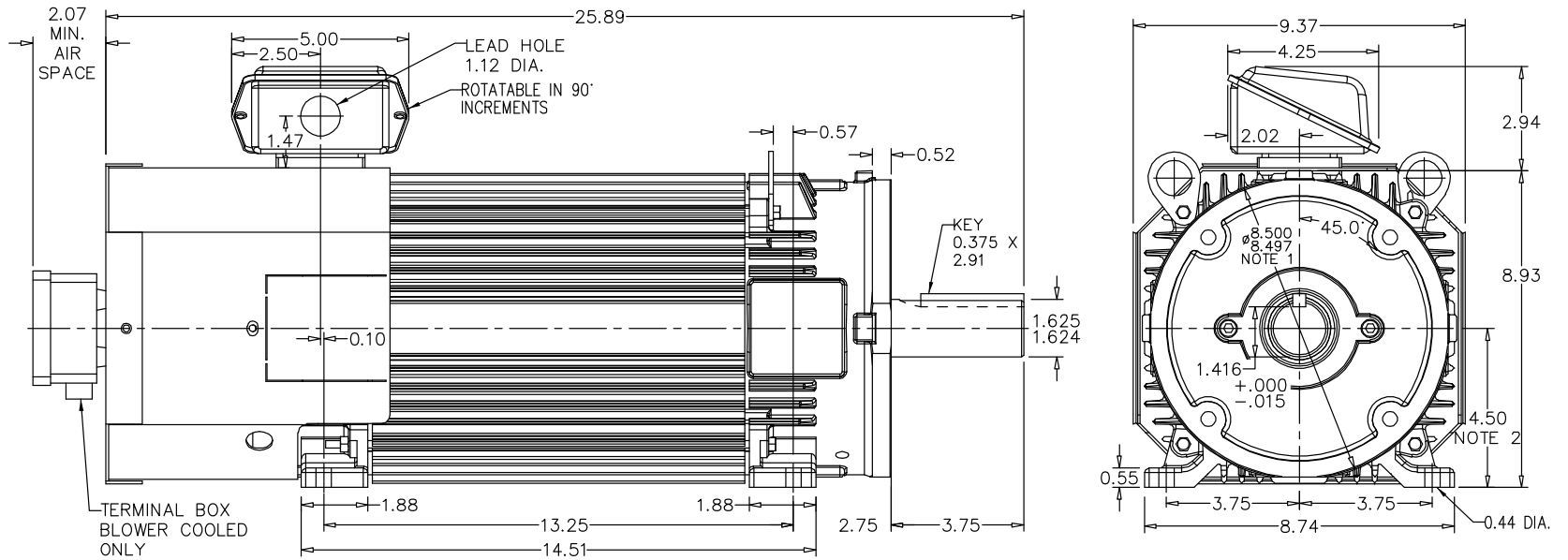
RPM-AC FINNED FRAME VARIABLE SPEED ALTERNATING  
CURRENT MOTOR  
FL1852CZ

ENCLOSURE: TOTALLY ENCLOSED  
MOUNTING: FOOT / NEMA 250TC C-FACE  
DRIVE METHOD: COUPLED OR BELTED

COOLING: BLOWER COOLED or  
FAN COOLED

ACCESSORIES: PROVISIONS FOR  
TACHOMETER MOUNTING  
ONLY WHEN SPECIFIED

617235-023



NOTE 1: C-FACE & TACHOMETER MOUNTING  
1/2-13 TAP, 1.00 DEEP, ON A 7.25 DIA. BOLT CIRCLE  
FACE RUNOUT AND ECCENTRICITY 0.004 MAX. T.I.R.

NOTE 2: SHAFT HEIGHT WILL NOT BE EXCEEDED  
SHIMS UP TO 0.03 INCHES IN THICKNESS ARE USUALLY  
REQUIRED FOR COUPLED OR GEARED MACHINES

TERMINAL BOX MAY BE LOCATED F1 OR F2 IF SPECIFIED  
40 AMP STEEL TERMINAL BOX SHOWN  
REFER TO 616779-50 FOR SPECIFIED TERMINAL BOX DIMENSIONS  
REFER TO 616779-55 FOR SPECIFIED TACHOMETER DIMENSIONS

MOTOR WEIGHT: 209 LBS. (MAY VARY 15%)  
DIMENSIONS ARE IN INCHES SCALE: 1.00

CUSTOMER IS RESPONSIBLE FOR DETERMINING THAT BALDOR'S PRODUCT WILL PERFORM SUITABLY IN THE INTENDED APPLICATION.

REV. DESC: CHANGE KEY HEIGHT TO 3 DEC. PLACES, ADD TOLERANCE		
REV. LTR: A	VERSION: 01	TDR: 000000845526
FILE: \RGG\00003\273	REVISED: 12:59:32 03/24/2014	BY: RGGWT
MTL: -		

**BALDOR**

DIM SH 250TC RPMAC TEBC/FC FL1852CZ FT MT PROV FOR TACH  
SH 1 of 1

617235-023