



---

# Customer information packet

## IDCSWDM3714T

10HP, 1770RPM, 3PH, 60HZ, 215TC, 3756M, TEFC, F

Class - None

Division - Not Applicable

## Specifications

Enclosure	TEFC
Frame	215TC
Frame Material	Stainless Steel
Frequency	60.00 Hz
Haz Area Class and Group	None
Haz Area Division	Not Applicable
Motor Letter Type	Three Phase
Output @ Frequency	10.000 HP @ 60 HZ
Phase	3
Synchronous Speed @ Frequency	1800 RPM @ 60 HZ
Voltage @ Frequency	230.0 V @ 60 HZ 460.0 V @ 60 HZ
Agency Approvals	UR CSA
Ambient Temperature	40 °C
Auxillary Box	No Auxillary Box
Auxillary Box Lead Termination	None
Base Indicator	Rigid
Bearing Grease Type	Polyrex EM (-20F +300F)
Blower	None
Current @ Voltage	12.500 A @ 460.0 V 25.000 A @ 230.0 V
Design Code	B
Drip Cover	No Drip Cover
Duty Rating	CONT
Efficiency @ 100% Load	92.4 %
Electrically Isolated Bearing	Not Electrically Isolated
Feedback Device	NO FEEDBACK
Front Face Code	Standard
Front Shaft Indicator	None
Heater Indicator	No Heater
High Voltage Full Load Amps	12.5 a

## Part detail

Revision	Z
Type	AC
Mech. spec.	37H885
Base	
Status	PRD/A
Elec. spec.	37WGT857
Layout	37LYH885
Eff. date	06-24-2021
CD Diagram	CD0180
Poles	04
Leads	9#14
Proprietary	False
Created date	10-25-2006

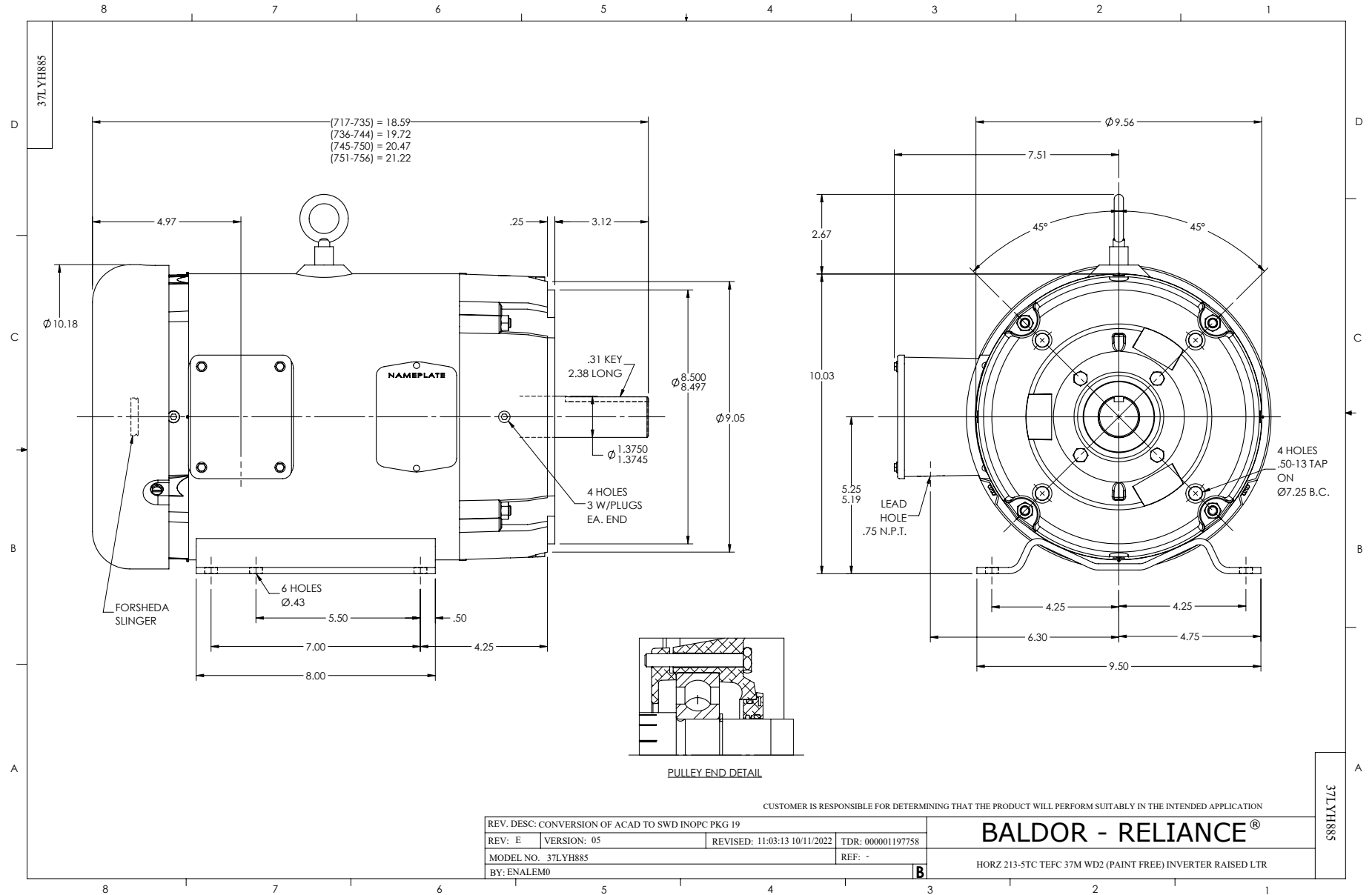
<b>Insulation Class</b>	H
<b>Inverter Code</b>	Inverter Duty
<b>KVA Code</b>	K
<b>Lifting Lugs</b>	Standard Lifting Lugs
<b>Locked Bearing Indicator</b>	Locked Bearing
<b>Max Speed</b>	6000 rpm
<b>Motor Lead Exit</b>	Ko Box
<b>Motor Lead Quantity/Wire Size</b>	9 @ 14 AWG
<b>Motor Lead Termination</b>	Flying Leads
<b>Motor Standards</b>	NEMA
<b>Motor Type</b>	3756M
<b>Mounting Arrangement</b>	F1
<b>Number of Poles</b>	4
<b>Overall Length</b>	21.31 IN
<b>Power Factor</b>	81
<b>Product Family</b>	Wash Down Paint Free
<b>Pulley End Bearing Type</b>	Sealed Bearing
<b>Pulley Face Code</b>	C-Face
<b>Pulley Shaft Indicator</b>	Standard
<b>Rodent Screen</b>	None
<b>Service Factor</b>	1.00
<b>Shaft Diameter</b>	1.375 IN
<b>Shaft Extension Location</b>	Pulley End
<b>Shaft Ground Indicator</b>	No Shaft Grounding
<b>Shaft Rotation</b>	Reversible
<b>Shaft Slinger Indicator</b>	Shaft Slinger
<b>Speed</b>	1770 rpm
<b>Speed Code</b>	Single Speed
<b>Starting Method</b>	Direct on line
<b>Thermal Device - Bearing</b>	None
<b>Thermal Device - Winding</b>	Normally Closed Thermostat
<b>Vibration Sensor Indicator</b>	No Vibration Sensor
<b>Winding Thermal 1</b>	None
<b>Winding Thermal 2</b>	None

**Nameplate**

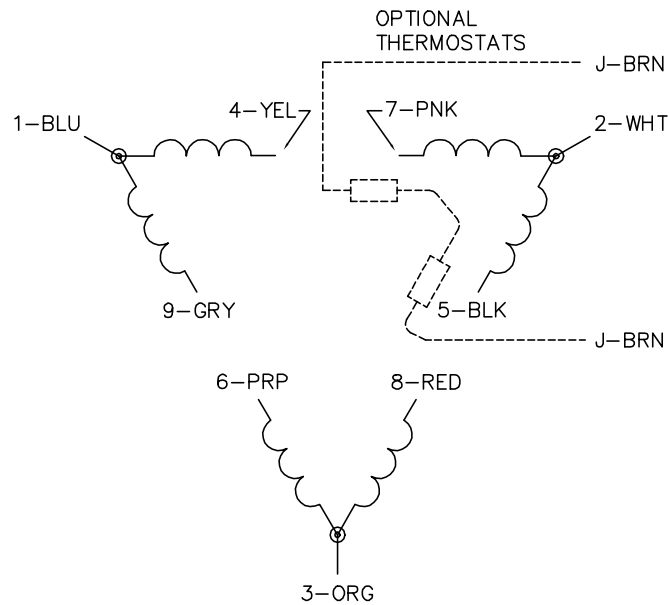
<b>NP1608L</b>					
<b>CAT NO</b>	IDCSWDM3714T				
<b>SPEC.</b>	37H885T857G1				
<b>FRAME</b>	215TC	<b>HP</b>	10 TE		
<b>VOLTS</b>	230/460				
<b>MAG CUR</b>	11/5.5	<b>FLA</b>	25/12.5		
<b>RPM</b>	1770	<b>RPM MAX</b>	6000		
<b>HZ</b>	60	<b>PH</b>	3	<b>CLASS</b>	H
<b>SER.F.</b>	1.00	<b>DES</b>	B	<b>SL HZ</b>	1
<b>NEMA-NOM-EFF</b>	92.4	<b>WK2</b>	1.38		
<b>BLWR V</b>	<b>PH</b>	<b>HZ</b>	<b>A</b>		
<b>RATING</b>	40C AMB-CONT				
<b>DE BRG</b>	6307	<b>ODE BRG</b>	6206		
<b>CC</b>	010A	<b>SN</b>			



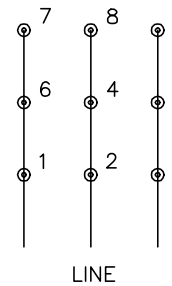




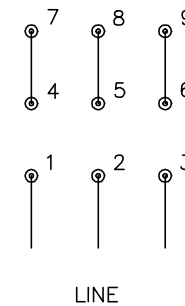
CD0180



LOW VOLTAGE  
(2D)



HIGH VOLTAGE  
(1D)



NOTES:

1. INTERCHANGE ANY TWO LINE LEADS TO REVERSE ROTATION.
2. OPTIONAL THERMOSTATS ARE PROVIDED WHEN SPECIFIED.
3. ACTUAL NUMBER OF INTERNAL PARALLEL CIRCUITS MAY BE A MULTIPLE OF THOSE SHOWN ABOVE.
4. LEAD COLORS ARE OPTIONAL. LEADS MUST ALWAYS BE NUMBERED AS SHOWN.

CD0180

REV. DESC: ADD CLASS CONN00000007		
REV. LTR: D	VERSION: 01	TDR: 000001099922
FILE: \AAA\00005\148	REVISED: 10: 25: 29 02/19/2019	BY: ENBRIRO
MTL: -	© □	

**BALDOR - RELIANCE®**

3PH, DV, 9 LEADS, DELTA CONNECTION

SH 1 of 1