

BALDOR® • RELIANCE™

Customer information packet

IDCRPM18154

15HP, 1800, 460V, FL1844, TEFC, F3

Specifications

Enclosure	TEFC
Frame	FL1844Z
Frame Material	Exposed Laminations
Frequency	60.00 Hz
Output @ Frequency	15.000 HP @ 60 HZ
Phase	3
Synchronous Speed @ Frequency	1800 RPM @ 60 HZ
Voltage @ Frequency	460.0 V @ 60 HZ
Agency Approvals	CCSA US NEMA PREMIUM
Auxillary Box	No Auxillary Box
Base Indicator	Rigid
Bearing Grease Type	Polyrex EM (-20F +300F)
Constant Torque Speed Range	1-60
Current @ Voltage	15.000 A @ 460.0 V
Duty Rating	CONT
Feedback Device	NO FEEDBACK
Frame Prefix	FL
Heater Indicator	No Heater
High Voltage Full Load Amps	15.0 a
Insulation Class	H
KVA Code	G
Motor Standards	NEMA
Mounting Arrangement	F3
Overall Length	23.26 IN
Product Family	Blower - Centrifugal
Pulley End Bearing Type	Ball
Pulley Face Code	Other
Service Factor	1.15
Shaft Diameter	1.375 IN
Shaft Ground Indicator	No Shaft Grounding
Shaft Rotation	Reversible

Part detail

Revision	H
Type	AC
Mech. spec.	
Base	
Status	PRD/A
Elec. spec.	LS6941A
Layout	617232-001
Eff. date	01-21-2022
CD Diagram	422927-001
Poles	04
Leads	
Proprietary	False
Created date	03-30-2016

Speed	1800 rpm
Thermal Device - Bearing	None
Thermal Device - Winding	Normally Closed Thermostat

Nameplate

000613007QF

	DUTY	HP	RPM	AMPS	VOLTS	HZ						
	CONT	15	1800	15.0	460	60						
CAT.NO.	IDCRPM18154		SPEC. NO.		F18-A000-0101							
SER.NO.			FRAME SIZE		FL1844Z		TYPE PSM					
AMB.	40	S.F.	1.15	ENCL.	TEFC	PH	3	DESIGN	B	CODE	G	
NEMA NOM. EFF	94.9		GUARANTEED EFFICIENCY		94		POWER FACTOR		95.8		INSUL. CLASS	H
D.E. BRG.	45BC02J30X		O.D.E. BRG.		35BC02J30X							
VPWM INVERTER DUTY @1.0SF	CHP HZ	60-90		CT HZ	1-60		VT HZ	0-60				
	X/T											

000692000VY

MEAS OPEN CIRCUIT VOLTAGE

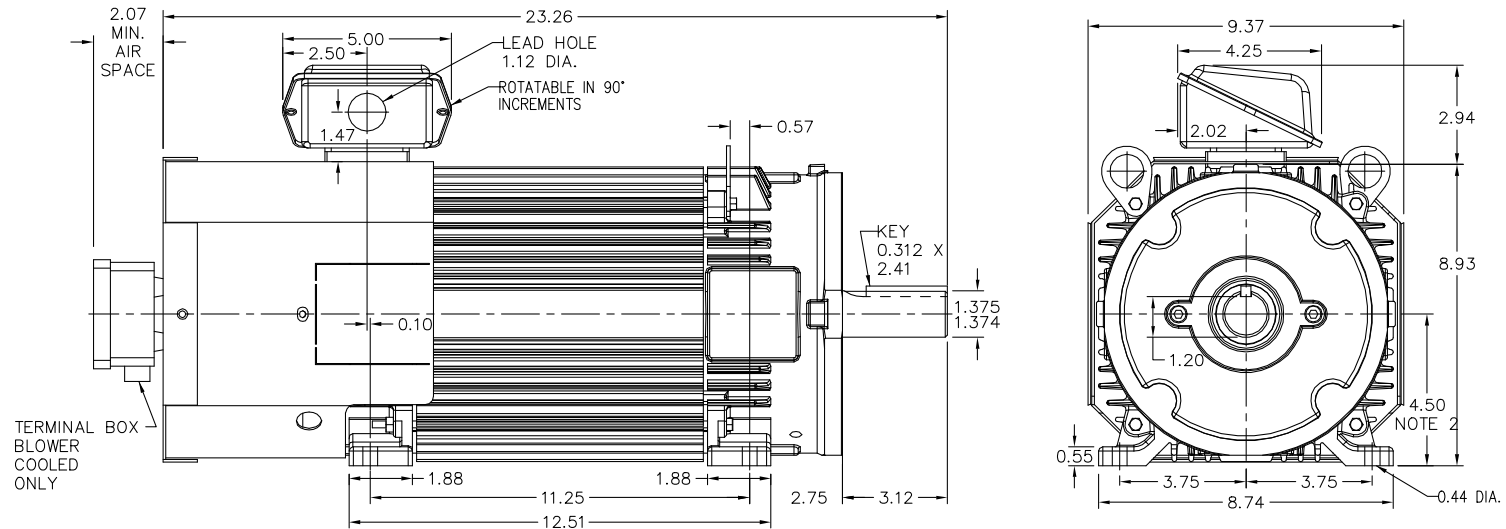
IS VOLTS AT RPM.

617232-001

RPM-AC FINNED FRAME VARIABLE SPEED ALTERNATING CURRENT MOTOR
FL1844Z

ENCLOSURE: TOTALLY ENCLOSED
MOUNTING: FOOT
DRIVE METHOD: COUPLED OR BELTED

COOLING: BLOWER COOLED or
FAN COOLED
ACCESSORIES: PROVISIONS FOR
TACHOMETER MOUNTING
ONLY WHEN SPECIFIED



NOTE 1: C-FACE & TACHOMETER MOUNTING
1/2-13 TAP, 1.00 DEEP, ON A 7.25 DIA. BOLT CIRCLE
FACE RUNOUT AND ECCENTRICITY 0.004 MAX. T.I.R.

NOTE 2: SHAFT HEIGHT WILL NOT BE EXCEEDED
SHIMS UP TO 0.03 INCHES IN THICKNESS ARE USUALLY
REQUIRED FOR COUPLED OR GREARED MACHINES

TERMINAL BOX MAY BE LOCATED F1 OR F2 IF SPECIFIED
40 AMP STEEL TERMINAL BOX SHOWN
REFER TO 616779-50 FOR SPECIFIED TERMINAL BOX DIMENSIONS
REFER TO 616779-55 FOR SPECIFIED TACHOMETER DIMENSIONS

MOTOR WEIGHT: 180 LBS. (MAY VARY 15%)
DIMENSIONS ARE IN INCHES SCALE: 1.00

CUSTOMER IS RESPONSIBLE FOR DETERMINING THAT BALDOR'S PRODUCT WILL PERFORM SUITABLY IN THE INTENDED APPLICATION.

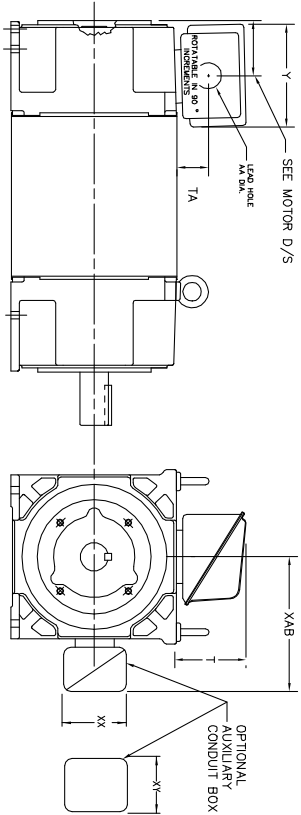
REV. DESC: ASSIGNED TO BUSLOAD		
REV. LTR: -	VERSION: 00	TDR: 000000482745
FILE: \RGG\00003\458	REVISED: 13:10:39 11/25/2008	BY: CONBAT
MTL: -		

BALDOR • DODGE • RELIANCE
DIM SHT RPM AC TEBC / FC FL1844Z FT MTG PROV FOR TACH
SH 1 of 1

617232-001

INDUSTRIAL ALTERNATING CURRENT MOTORS
RPM AC

STEEL, CAST IRON, MILL AND TERMINAL BOARD CONDUIT BOX DIMENSIONS
NEMA FRAMES RL210 thru RL280 and IEC FRAMES RDL132 thru RDL180
NEMA FRAMES FL180 thru FL280 and IEC FRAMES FDL112 thru FDL180



FRAME	TYPE	TERMINAL STRIP	AMPS	C/BOX	Y	TA	T	AA
FL180	STEEL	N	40	706320003A	5.00	1.62	3.00	1.12
FL180	STEEL	N	75	706320003A	6.12	2.38	4.38	1.75/2.00
FL180	STEEL	N	208	706320007A	6.82	2.00	7.00	2.50/3.00
FL180	CAST IRON	N	40	706320003A	5.75	2.38	4.38	1.50/1.75
FL180 & FDL11	MILL	Y	100	706310028A	7.75	2.30	4.40	PC29/PG16
FL210 & RL210	STEEL	N	61	0754520009	6.34	2.00	4.12	1.75
FL210 & RL210	STEEL	N	121	0754520009	7.69	2.38	5.25	1.94
FL210 & RL210	STEEL	N	336	706320016A	9.00	4.12	8.42	4.89
FL210 & RL210	CAST IRON	N	110	075460052B	7.25	2.50	5.25	1.5 TAP
FL210 & RL210	MILL	Y	100	706310225A	7.75	2.30	4.40	PC29/PG16
FL210 & RL210	MILL	Y	160	706310056A	9.00	3.06	5.40	PC36/PG16
FL210 & RL210	MILL	Y/N	235	706310637A	11.42	4.00	6.72	2.50
FL250 & RL250	STEEL	N	61	0754520009	6.34	2.00	4.12	1.75
FL250 & RL250	STEEL	N	121	0754520009	7.69	2.38	5.25	1.94
FL250 & RL250	STEEL	N	336	706320016A	9.00	4.12	8.42	4.89
FL250 & RL250	CAST IRON	N	110	075460052B	7.25	2.50	5.25	1.5 TAP
FL250 & RL250	CAST IRON	N	210	706320017A	10.50	4.88	9.00	4.0 TAP
FL250 & RL250	MILL	Y	100	706310225A	7.75	2.30	4.40	PC29/PG16
FL250 & RL250	MILL	Y	160	706310056A	9.00	3.06	5.40	PC36/PG16
FL250 & RL250	MILL	Y/N	235	706310637A	11.42	4.00	6.72	2.50
FL250 & RL250	MILL	Y	400	706310063B	14.39	7.43	12.15	BLANK
FL280 & RL280	STEEL	N	160	706310056A	9.00	3.06	5.40	PC36/PG16
FL280 & RL280	STEEL	N	300	706320017A	11.88	4.81	8.56	3.0 TAP
FL280 & RL280	STEEL	N	500	706320017A	14.62	7.56	12.70	5.00
FL280 & RL280	CAST IRON	N	140	706320017A	9.25	4.81	8.56	3.0 TAP
FL280 & RL280	CAST IRON	N	210	706320017A	10.50	4.88	9.00	4.0 TAP
FL280 & RL280	CAST IRON	N	510	706320017A	15.00	7.56	12.81	5.0 TAP
FL280 & RL280	MILL	Y	100	706310056A	7.75	2.30	4.40	PC29/PG16
FL280 & RL280	MILL	Y	160	706310056A	9.00	3.06	5.40	PC36/PG16
FL280 & RL280	MILL	Y/N	235	706310637A	11.42	4.00	6.72	2.50
FL280 & RL280	MILL	Y	400	706310063B	14.39	7.43	12.15	BLANK

FRAME SIZE	OPTIONAL AUXILIARY CONDUIT BOX DIMENSIONS (MAXIMUM)					
	XAB	XX	XY	Y	TA	AA
FL210/FL180/FL280/FL180	7.38	4.25	6.02007-26-A	10.88	8.00	8.00
FL250/FL180/FL280/FL180	8.44	4.25	6.02007-26-A	11.88	8.00	8.00
FL280/FL180/FL280/FL180	9.12	4.25	6.02007-26-A	12.62	8.00	8.00
FL210/FL180/FL280/FL180	7.38	4.25	6.02007-26-A	10.88	8.00	8.00
FL250/FL180/FL280/FL180	8.44	4.25	6.02007-26-A	11.88	8.00	8.00
FL280/FL180/FL280/FL180	9.12	4.25	6.02007-26-A	12.62	8.00	8.00

- (1) 7/8" PIPE TAP
- (2) CUSTOMER TO PROVIDE W/LE TYP CONDUIT.
- (3) DIM SA ON 1" DIA DN W/2

TERMINAL BOX CAN BE ROTATED FOR LEAD INLET AT TOP, SIDES OR BOTTOM
TERMINAL BOX LOCATED ON OPPOSITE SIDE WHEN F-2, V-1, V-4, V-5, V-7,
OR C-1 MOUNTING IS SPECIFIED. BOX LOCATED ON TOP WHEN SPECIFIED.

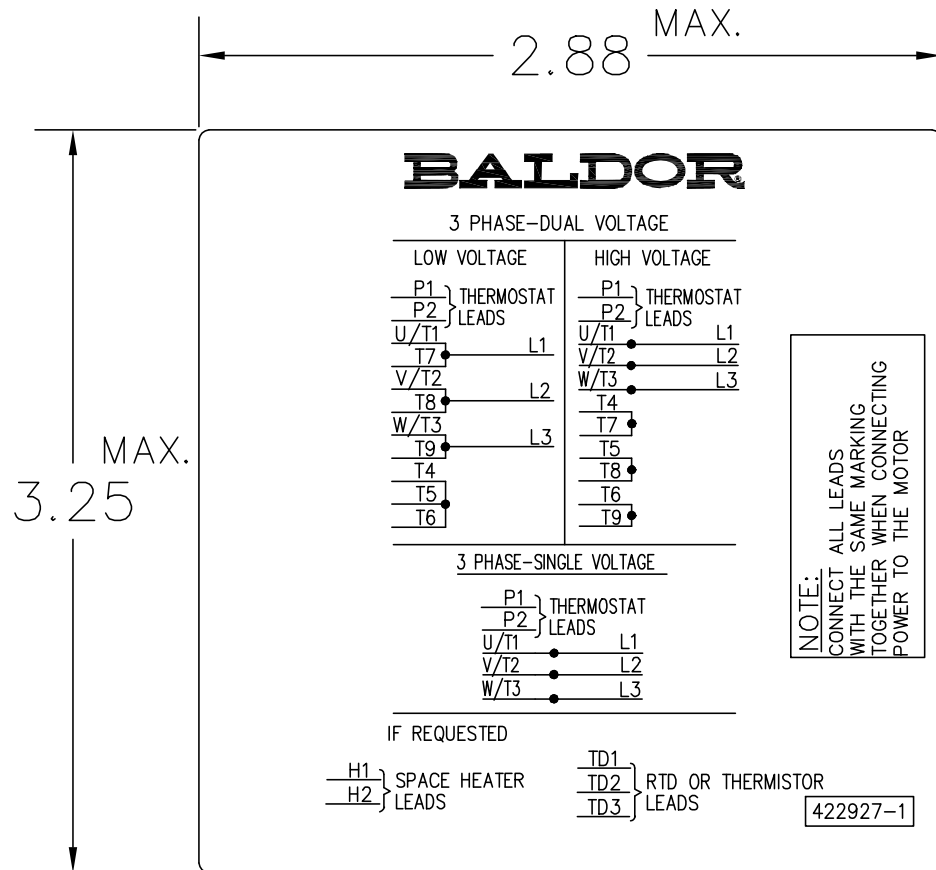
050-677919

CUSTOMER IS RESPONSIBLE FOR DETERMINING THAT BALDOR'S PRODUCT WILL PERFORM SUITABLY IN THE INTENDED APPLICATION.

REV. DESC: ADD 706310-637 & 639 BOX	VERSION: 06	TDR: 000001180260
REV. LTR: F	REVISED: 11: 08: 56 10/26/2021	BY: RCGRWM
FILE: \RGG\00003\692		
MTL: -		

BALDOR - RELIANCE®
DIM SHT NEMA RL210-RL280 FL180-FL280 IEC RDL132-RDL180
SH 1 of 1

422927-001



NOTE:
DATA TO BE SIZED
SO THAT IT FITS INTO
MATERIAL DECAL
DIMENSIONS. MAKE
LETTERS & NUMBERS
AS LARGE AS POSSIBLE.

MATERIAL: CERAMATIC DGF-P4
PERMA GRIP ADHESIVE

ALL LETTERS, NUMBERS
AND LINES TO BE BLACK
ON WHITE BACKGROUND.

422927-001

REV. DESC: CHANGE BACKGROUND COLOR FROM GOLD TO WHITE		
REV. LTR: B	VERSION: 02	TDR: 00000788708
FILE: \RGG\00000\203	REVISED: 08:09:29 03/04/2013	
MTL: -	BY: RGGWT	

BALDOR

EXTERNAL CONNECTION LABEL

SH 1 of 1