

BALDOR • RELIANCE

Customer information packet

IDBRPM362504R1

250HP, 1785/3565RPM, 460V, 3PH, TEBC, FL3614

Specifications

Enclosure	TEAO
Frame	FL3614
Frame Material	Exposed Laminations
Frequency	60.00 Hz
Output @ Frequency	250.000 @ 60 HZ 250.000 HP @ 60 HZ
Phase	3
Synchronous Speed @ Frequency	1800 RPM @ 60 HZ
Voltage @ Frequency	460.0 V @ 60 HZ 460 V @ 60 HZ
Auxillary Box	No Auxillary Box
Base Indicator	Rigid
Bearing Grease Type	Polyrex EM (-20F +300F)
Current @ Voltage	286.000 A @ 460.0 V
Duty Rating	CONT
Feedback Device	NO FEEDBACK
Frame Prefix	FL
Heater Indicator	No Heater
High Voltage Full Load Amps	286.0 a
Insulation Class	H
Motor Standards	NEMA
Mounting Arrangement	F3
Overall Length	60.05 IN
Product Family	General Industrial
Pulley End Bearing Type	Ball
Pulley Face Code	C-Face
Service Factor	1.00
Shaft Diameter	2.874 IN
Shaft Ground Indicator	No Shaft Grounding
Shaft Rotation	Reversible
Speed	1785 rpm
Thermal Device - Bearing	None

Part detail

Revision	G
Type	AC
Mech. spec.	
Base	
Status	PRD/A
Elec. spec.	L5924A
Layout	619682-001
Eff. date	05-03-2022
CD Diagram	422927-001
Poles	04
Leads	
Proprietary	False
Created date	04-09-2015

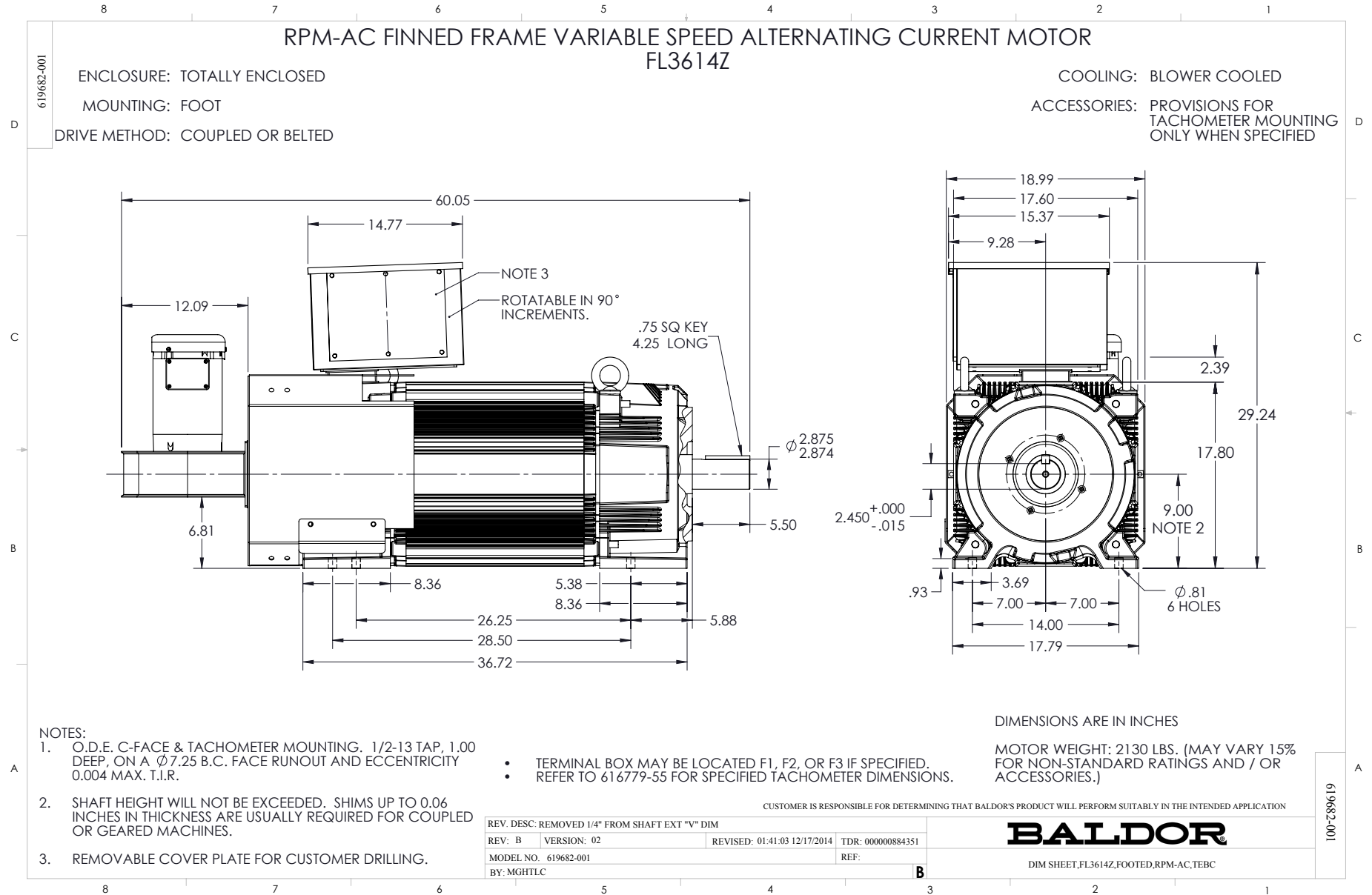
Thermal Device - Winding

Normally Closed Thermostat

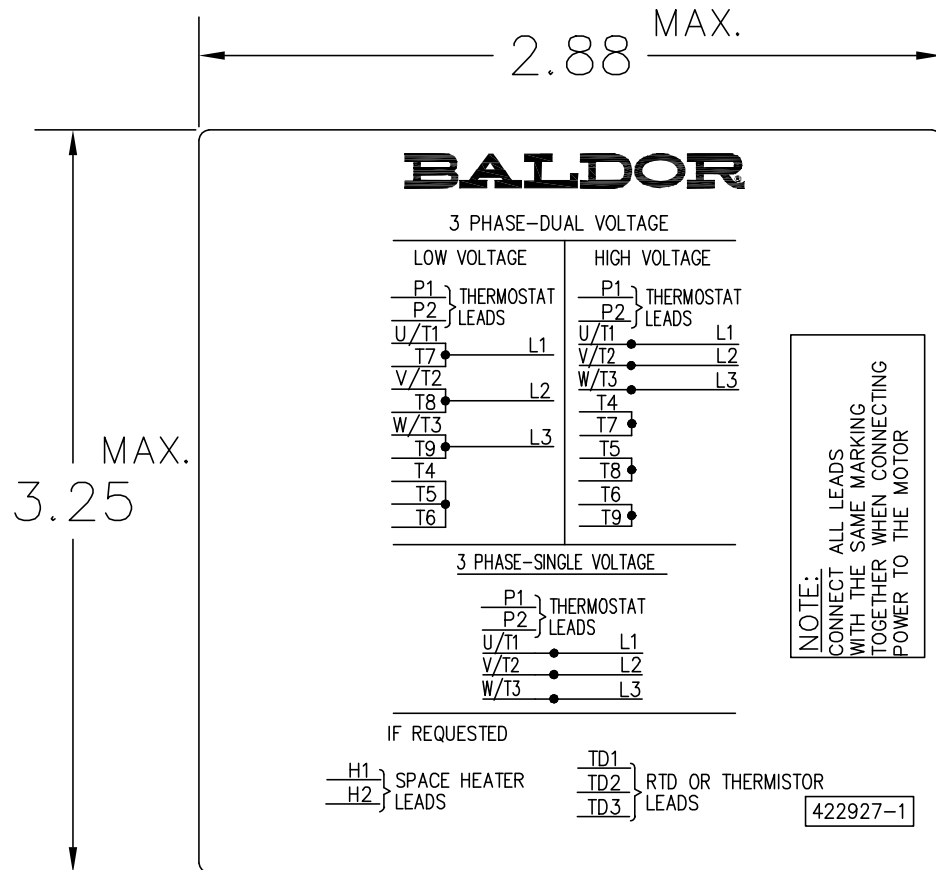
Nameplate

000613006MY

	DUTY	HP	RPM	AMPS	VOLTS	HZ	
	CONT	250	1785	286	460		60
	CONT	250	3565	279	460		120
CAT.NO.	IDBRPM362504R1		SPEC. NO.		P36T1320		
SER.NO			FR	FL 3614	INSUL	H	
PH.	3	MAX SAFE SPEED		3750	AMB.	40	MIN. AMB. -25
DESIGN NO.	L5924A		TYPE		ENCL.	TEAO-BC	
S.F.	1.00		D.E. BRG.	95BC02J30X			
ENCL MOD			O.D.E. BRG.	80BC03J30X			



422927-001



NOTE:
DATA TO BE SIZED
SO THAT IT FITS INTO
MATERIAL DECAL
DIMENSIONS. MAKE
LETTERS & NUMBERS
AS LARGE AS POSSIBLE.

MATERIAL: CERAMATIC DGF-P4
PERMA GRIP ADHESIVE

ALL LETTERS, NUMBERS
AND LINES TO BE BLACK
ON WHITE BACKGROUND.

422927-001

REV. DESC: CHANGE BACKGROUND COLOR FROM GOLD TO WHITE		
REV. LTR: B	VERSION: 02	TDR: 00000788708
FILE: \RGG\00000\203	REVISED: 08:09:29 03/04/2013	
MTL: -	BY: RGGWT	

BALDOR

EXTERNAL CONNECTION LABEL

SH 1 of 1