

**BALDOR • RELIANCE**

---

# Customer information packet

## IDBRPM321504R1

150HP, 1750, 460V, FL3203, TEBC, F3

## Specifications

Enclosure	TEBC
Frame	FL3203Z
Frame Material	Exposed Laminations
Frequency	60.00 Hz
Output @ Frequency	150.000 HP @ 60 HZ
Phase	3
Synchronous Speed @ Frequency	1800 RPM @ 60 HZ
Voltage @ Frequency	460.0 V @ 60 HZ
Agency Approvals	CCSA US
Auxillary Box	No Auxillary Box
Base Indicator	Rigid
Bearing Grease Type	Polyrex EM (-20F +300F)
Current @ Voltage	179.000 A @ 460.0 V
Duty Rating	CONT
Feedback Device	NO FEEDBACK
Frame Prefix	FL
Heater Indicator	No Heater
High Voltage Full Load Amps	179.0 a
Insulation Class	H
IP Rating	NONE
Motor Standards	NEMA
Mounting Arrangement	F3
Overall Length	55.48 IN
Product Family	General Industrial
Pulley End Bearing Type	Ball
Pulley Face Code	Standard
Service Factor	1.00
Shaft Diameter	2.874 IN
Shaft Ground Indicator	Shaft Grounding
Shaft Rotation	Reversible
Speed	1780 rpm
Thermal Device - Bearing	None

## Part detail

Revision	E
Type	AC
Mech. spec.	
Base	
Status	PRD/A
Elec. spec.	L6805A
Layout	619689-001
Eff. date	05-03-2022
CD Diagram	422927-001
Poles	04
Leads	
Proprietary	False
Created date	11-30-2015

**Thermal Device - Winding**

**Normally Closed Thermostat**

---

**Nameplate**

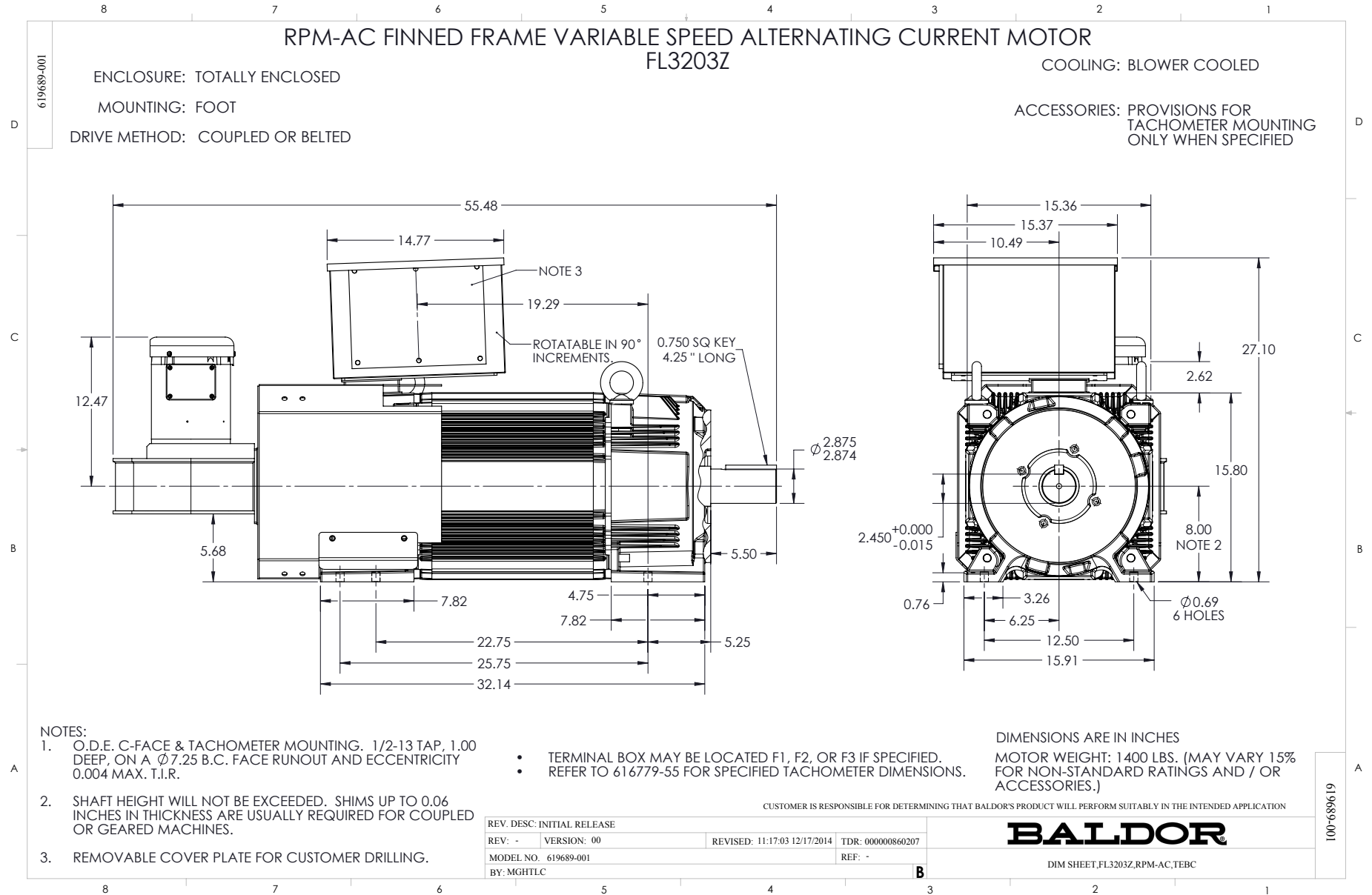
**000613006MY**

	<b>DUTY</b>	<b>HP</b>	<b>RPM</b>	<b>AMPS</b>	<b>VOLTS</b>	<b>HZ</b>	
	CONT	150	1780	179	460		60
	CONT	150	3555	171	460		120
<b>CAT.NO.</b>	IDBRPM321504R1		<b>SPEC. NO.</b>	F32-A000-0008			
<b>SER.NO</b>		<b>FR</b>	FL3203Z	<b>INSUL</b>	H		
<b>PH.</b>	3	<b>MAX SAFE SPEED</b>	4000	<b>AMB.</b>	40	<b>MIN. AMB.</b>	-25
<b>DESIGN NO.</b>	L6805A	<b>TYPE</b>		<b>ENCL.</b>	TEAO-BC		
<b>S.F.</b>	1.00		<b>D.E. BRG.</b>	85BC02J30X			
<b>ENCL MOD</b>		<b>O.D.E. BRG.</b>	65BC03J30X				



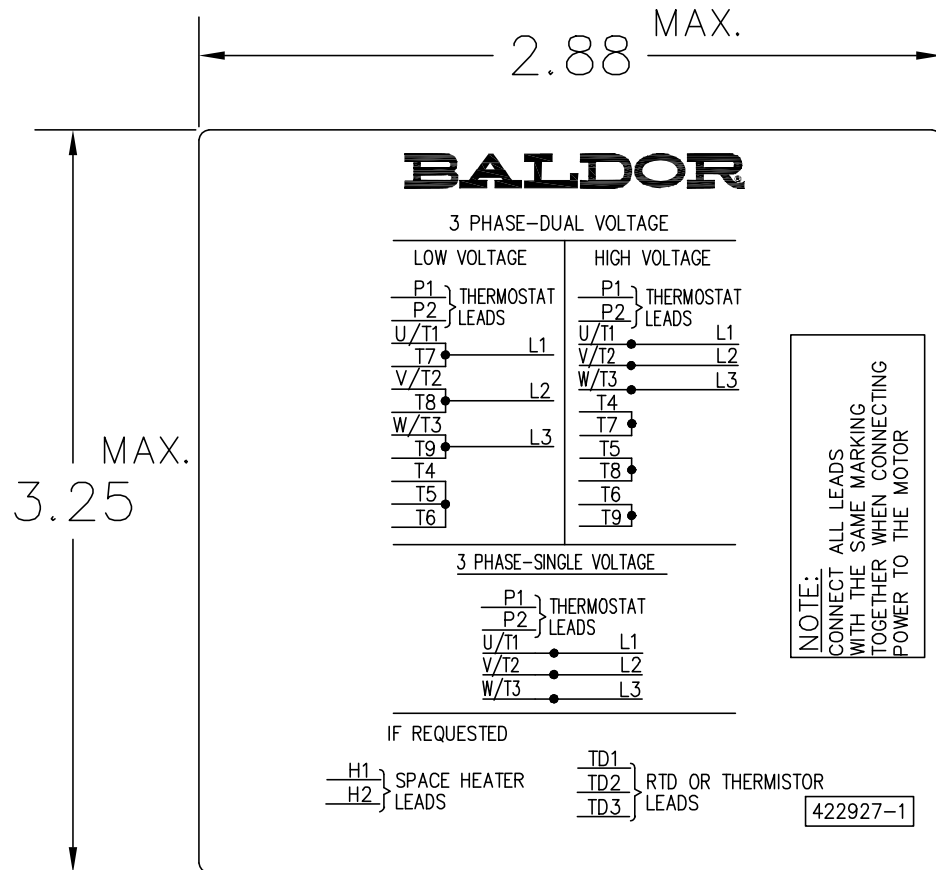








422927-001



NOTE:  
DATA TO BE SIZED  
SO THAT IT FITS INTO  
MATERIAL DECAL  
DIMENSIONS. MAKE  
LETTERS & NUMBERS  
AS LARGE AS POSSIBLE.

MATERIAL: CERAMATIC DGF-P4  
PERMA GRIP ADHESIVE

ALL LETTERS, NUMBERS  
AND LINES TO BE BLACK  
ON WHITE BACKGROUND.

422927-001

REV. DESC: CHANGE BACKGROUND COLOR FROM GOLD TO WHITE		
REV. LTR: B	VERSION: 02	TDR: 00000788708
FILE: \RGG\00000\203	REVISED: 08:09:29 03/04/2013	
MTL: -	BY: RGGWT	

**BALDOR**

EXTERNAL CONNECTION LABEL

SH 1 of 1