

BALDOR • RELIANCE

Customer information packet

HDS65-0206ASKNN

HDS65-0206ASKNN, ABS ENCODER, KEY

Specifications

Bearing Grease Type	Polyrex EM
Dimensional Drawing Numbers	HD65LYA005
Nameplate Amps	4.5

Part detail

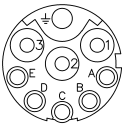
Revision	G
Type	
Mech. spec.	
Base	
Status	PRD/A
Elec. spec.	
Layout	HD65LYA005
Eff. date	02-03-2021
CD Diagram	
Poles	
Leads	
Proprietary	False
Created date	08-10-2017

Nameplate

LB1577T01									
MODEL:	HDS65-0206ASKNN								
PN	0.6	KW	TO	1.8	N.M	IO	4.5	A	
U	230	V	TP	5.4	N.M	IP	15.0	A	
NN/N MAX	3000/5000		RPM	3XPTC130					
FBK	S.ABS		IP	IP54	INS F				
BRK:	VDC/		N.M						
S/N									

HD65LYA005

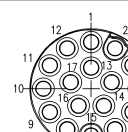
MOTOR & BRAKE & PTC LEADS



PIN	FUNCTION	COLOR
1	U (R)	BLACK
2	V (S)	RED
3	W (T)	BLUE
PE	GROUND (PE)	YELLOW/GREEN
A	PTC	BLACK
B	PTC	BLUE
C	BRAKE 24V (OPTIONAL)	RED
D	BRAKE 0V (OPTIONAL)	BLUE
E	-	-

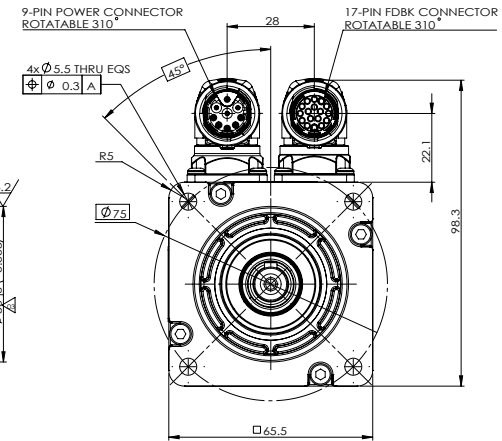
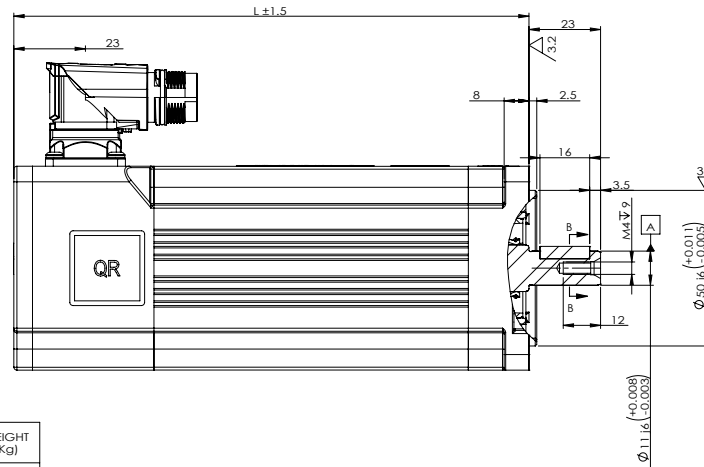
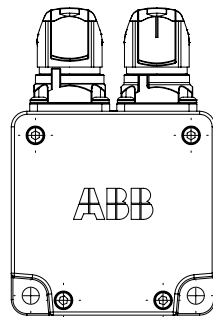
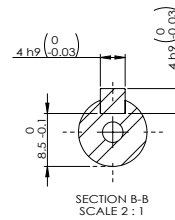
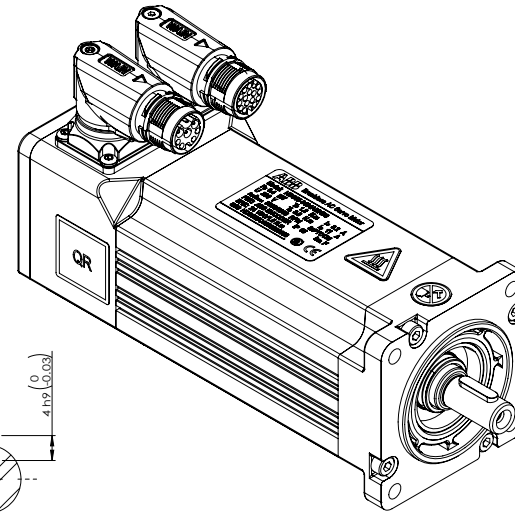
WD1456A27 (INSERTION SIDE)

SMART-ABS ENCODER LEADS



PIN	FUNCTION	COLOR
1	VCC	RED
2	GND	BLACK
3	VB	BROWN
4	GND	BROWN/BLACK
5	SD	BLUE
6	SD	BLUE/BLACK
7-17	NC	-

WD1456A28 (INSERTION SIDE)



MOTOR TYPE	L (MM)	MOMENT OF INERTIA (Kgcm ²)	WEIGHT (Kg)
HDS65-0102AS(S2)KBX	147.5	0.19	1.81
HDS65-0104AS(S2)KBX	165.5	0.31	2.38
HDS65-0206AS(S2)KBX	183.5	0.42	2.95
HDS65-0102AM(M2)KBX	147.5	0.19	1.81
HDS65-0104AM(M2)KBX	165.5	0.31	2.38
HDS65-0206AM(M2)KBX	183.5	0.42	2.95
HDS65-0102AS(S2)KNX	147.5	0.16	1.41
HDS65-0104AS(S2)KNX	165.5	0.28	1.98
HDS65-0206AS(S2)KNX	183.5	0.39	2.55
HDS65-0102AM(M2)KNX	147.5	0.16	1.41
HDS65-0104AM(M2)KNX	165.5	0.28	1.98
HDS65-0206AM(M2)KNX	183.5	0.39	2.55

NOTES:
1. DIMENSIONS ARE IN MM

TOLERANCE UNLESS SPEC.
DIM.=± 0.5 MM
ANG=± 0.5° RAD=0.4 MM

REV. DESC: CHANGE THE CONNECTION STYLE	REVISED: 02-05-05 01/24/2024	TDR: 00001223820
REV: E VERSION: 05		
MODEL NO. HD65LYA005		REF: -
BY: CNC/ONE	Material: -	

BALDOR

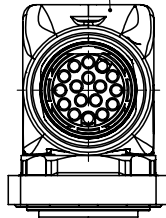
HDS65 LAYOUT, ABS ENCODER, KEY, BRAKE, SEAL

500V X T59QH

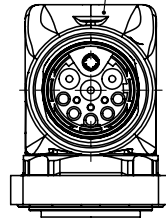
HD65LYA005

CD2167A08

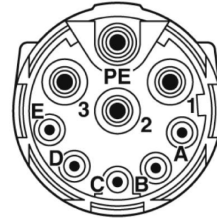
WD1456A07



WD1456A08

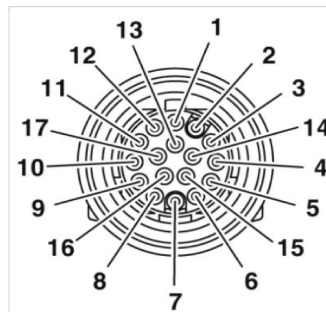


MOTOR & PTC LEADS			
PIN	FUNCTION	COLOR	
1	U (R)	BLACK	
2	V (S)	RED	
3	W (T)	BLUE	
PE	GROUND (PE)	YELLOW/GREEN	
A	PTC	BLACK	
B	PTC	BLUE	
C	BRAKE 24V	RED	
D	BRAKE 0V	BLUE	
E			



WD1456A08
(INSERTION SIDE)

SMART-ABS ENCODER LEADS			
PIN	FUNCTION	COLOR	
1	VCC	RED	
2	GND	BLACK	
3	VB	BROWN	
4	GND	BROWN/BLACK	
5	SD	BLUE	
6	$\overline{\text{SD}}$	BLUE/BLACK	
7-17	NC	-	



WD1456A07
(INSERTION SIDE)

REV. DESC: REVISE PTC CABLE COLOR.

REV: B VERSION: 02 REVISED: 04:11:12 07/06/2017 TDR: 000001034340

CD2167A08

MODEL NO. CD2167A05

REF: -

BY: CNCHLI10 Material: -

BALDOR

CONNECTION DIAGRAM, POWER & SMART-ABS ENCODER, HDS65

CD2167A08