

**BALDOR® • RELIANCE™**

---

# Customer information packet

## HDS65-0206ARKNN

HDS65-0206ARKNN, RESOLVER, KEY

**Specifications**

<b>Bearing Grease Type</b>	Polyrex EM
<b>Dimensional Drawing Numbers</b>	HD65LYA002
<b>Frame Material</b>	Laminated
<b>Nameplate Amps</b>	4.5

**Part detail**

<b>Revision</b>	F
<b>Type</b>	
<b>Mech. spec.</b>	
<b>Base</b>	
<b>Status</b>	PRD/A
<b>Elec. spec.</b>	
<b>Layout</b>	HD65LYA002
<b>Eff. date</b>	04-09-2018
<b>CD Diagram</b>	
<b>Poles</b>	
<b>Leads</b>	
<b>Proprietary</b>	False
<b>Created date</b>	08-10-2017

**Nameplate**

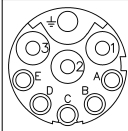
---

<b>LB1577T01</b>									
<b>MODEL:</b>	HDS65-0206ARKNN								
<b>PN</b>	0.6	<b>KW</b>	<b>TO</b>	1.8	<b>N.M</b>	<b>IO</b>	4.5	<b>A</b>	
<b>U</b>	230	<b>V</b>	<b>TP</b>	5.4	<b>N.M</b>	<b>IP</b>	15.0	<b>A</b>	
<b>NN/N MAX</b>	3000/5000		<b>RPM</b>	3XPTC130					
<b>FBK</b>	RES		<b>IP</b>	IP54	<b>INS F</b>				
<b>BRK:</b>		<b>VDC/</b>		<b>N.M</b>					
<b>S/N</b>									

---

HD65LYA002

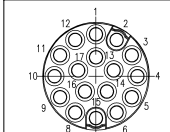
MOTOR & BRAKE & PTC LEADS



PIN	FUNCTION	COLOR
1	U (R)	BLACK
2	V (S)	RED
3	W (T)	BLUE
PE	GROUND (PE)	YELLOW/GREEN
A	PTC	BLACK
B	PTC	BLUE
C	BRAKE 24V (OPTIONAL)	RED
D	BRAKE 0V (OPTIONAL)	BLUE
E	-	-

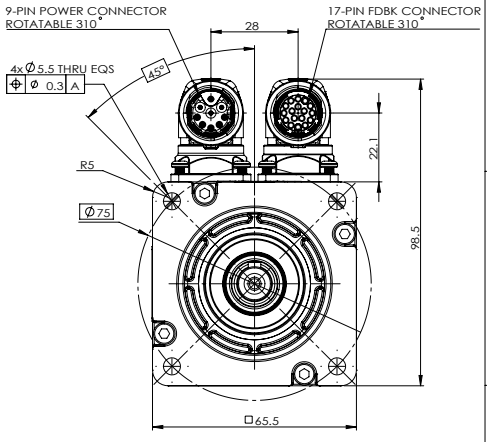
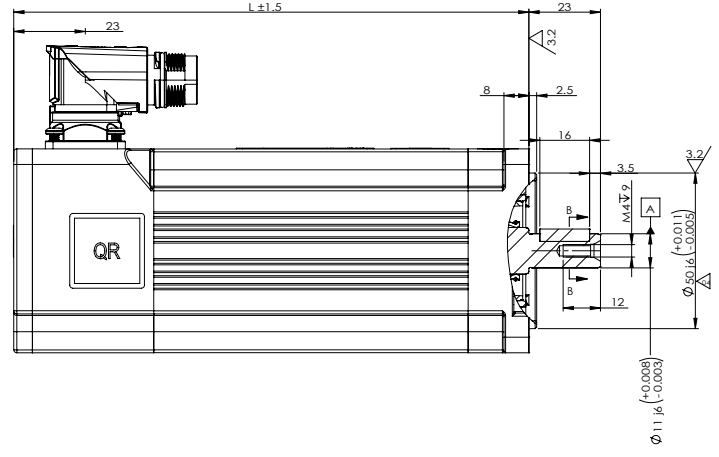
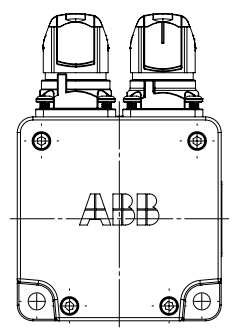
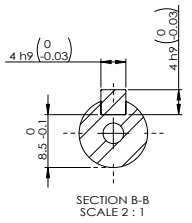
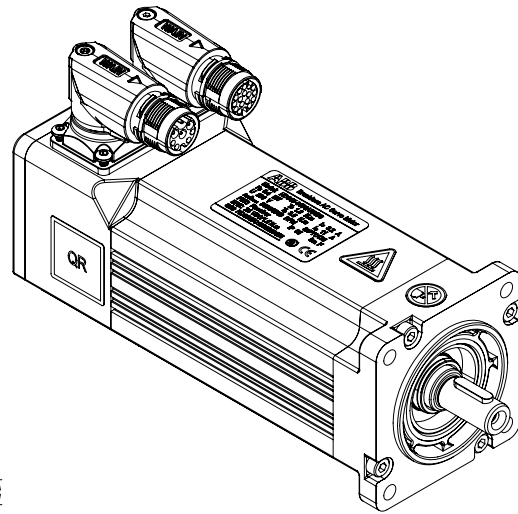
WD1456A06  
WD1456A27  
(INSERTION SIDE)

RESOLVER LEADS



PIN	FUNCTION	COLOR
1	REF HI R1	RED/WHITE
2	REF LO R2	YELLOW/WHITE
3	COS + S1	RED
4	COS - S3	BLACK
5	SINE - S4	BLUE
6	SINE + S2	YELLOW
7-17	-	-

WD1456A07  
WD1456A28  
(INSERTION SIDE)



MOTOR TYPE	L (MM)	MOMENT OF INERTIA (Kgcm <sup>2</sup> )	WEIGHT (Kg)
HDS65-0102ARKBX	147.5	0.21	1.81
HDS65-0104ARKBX	165.5	0.32	2.38
HDS65-0206ARKBX	183.5	0.44	2.95
HDS65-0102ARKNX	147.5	0.18	1.41
HDS65-0104ARKNX	165.5	0.29	1.98
HDS65-0206ARKNX	183.5	0.41	2.55

NOTES:  
1. DIMENSIONS ARE IN MM

TOLERANCE UNLESS SPEC.  
DIM ± 0.5 MM  
ANG ± 0.5° RAD=0.4 MM

REV. DESC: CHANGE THE CONNECTION STYLE			
REV: E	VERSION: 05	REVISED: 01-24-2024	TDR: 900001223820
MODEL NO. HD65LYA002		REF: -	
BY: CNCONE	Material: -		

**BALDOR**

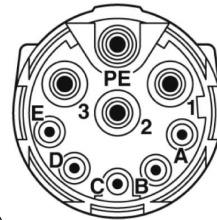
HDS65 LAYOUT, RESOLVER, KEY, BRAKE, SEAL

HD65LYA002

CD2167A05

MOTOR & PTC LEADS

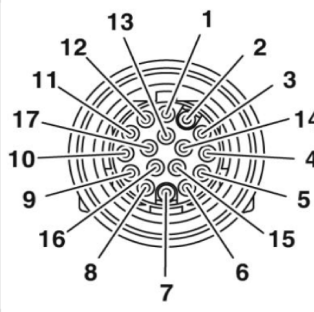
PIN	FUNCTION	COLOR
1	U (R)	BLACK
2	V (S)	RED
3	W (T)	BLUE
PE	GROUND (PE)	YELLOW/GREEN
A	PTC	BLACK
B	PTC	BLUE
C	BRAKE 24V	RED
D	BRAKE 0V	BLUE
E	-	-



WD1456A27  
~~WD1456A08~~  
 (INSERTION SIDE)

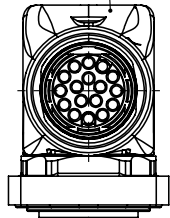
RESOLVER LEADS

PIN	FUNCTION	COLOR
1	REF HI R1	RED/WHITE
2	REF LO R2	YELLOW/WHITE
3	COS + S1	RED
4	COS - S3	BLACK
5	SINE - S4	BLUE
6	SINE + S2	YELLOW
7-17	-	-

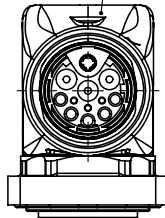


WD1456A28 ~~WD1456A07~~  
 (INSERTION SIDE)

WD1456A28  
~~WD1456A07~~



WD1456A27  
~~WD1456A08~~



REV. DESC: CHANGE DESCRIPTION

REV: C    VERSION: 03    REVISED: 02:08:53 12/30/2024    TDR: 000001247054

CD2167A05

MODEL NO. CD2167A05

REF: -

BY: CNCONIE    Material: -

**BALDOR**

CONNECTION DIAGRAM, POWER & RESOLVER, HDS65

CD2167A05