

**BALDOR® • RELIANCE®**

---

# Customer information packet

## HDS65-0206AGKNN

HDS65-0206A W/ABSOLUTE SINGL-TURN (DSL),

**Specifications**

<b>Bearing Grease Type</b>	Polyrex EM
<b>Dimensional Drawing Numbers</b>	HD65LYA003
<b>Nameplate Amps</b>	4.5

**Part detail**

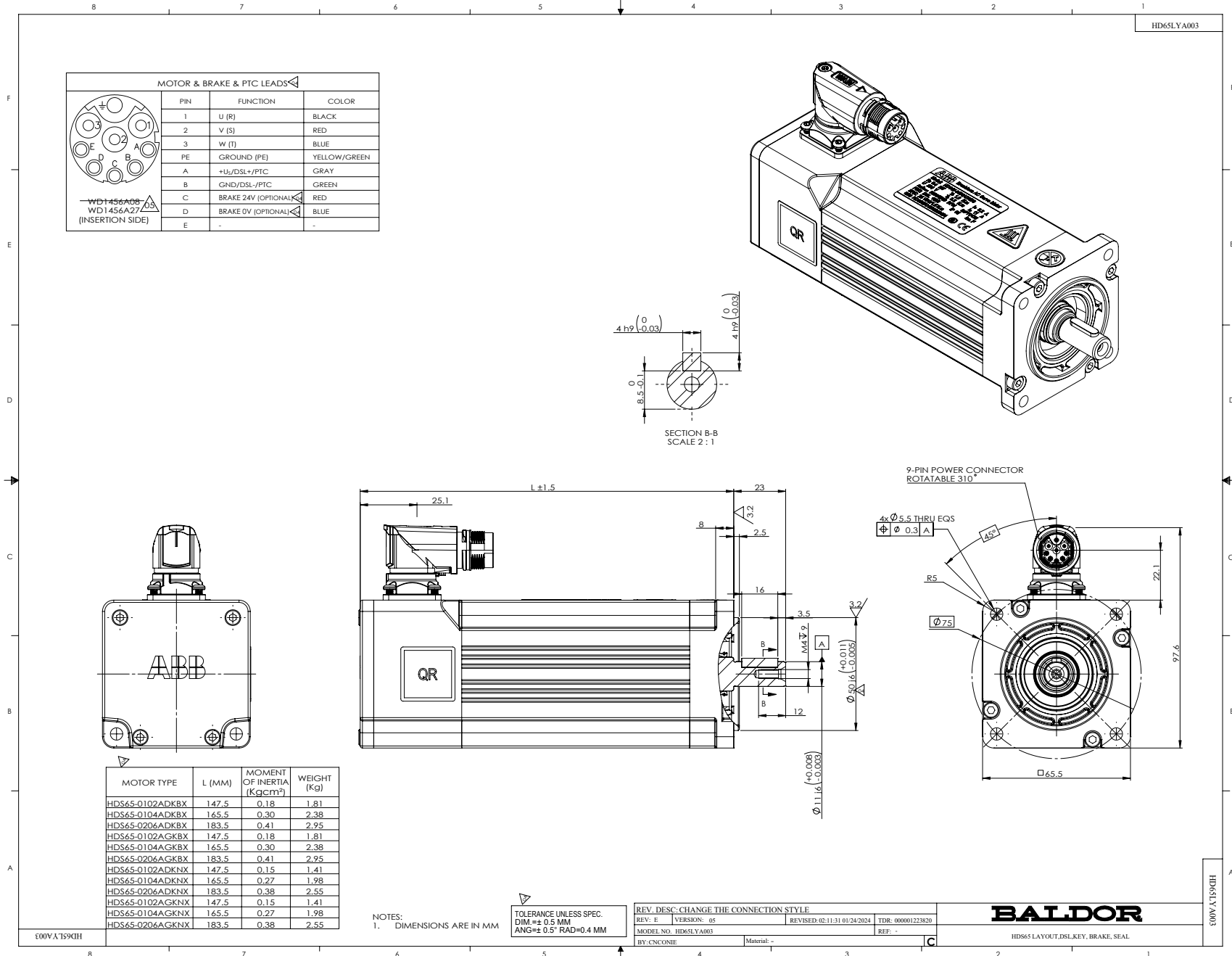
<b>Revision</b>	E
<b>Type</b>	
<b>Mech. spec.</b>	
<b>Base</b>	
<b>Status</b>	PRD/A
<b>Elec. spec.</b>	
<b>Layout</b>	HD65LYA003
<b>Eff. date</b>	04-16-2018
<b>CD Diagram</b>	
<b>Poles</b>	
<b>Leads</b>	
<b>Proprietary</b>	False
<b>Created date</b>	08-16-2017

**Nameplate**

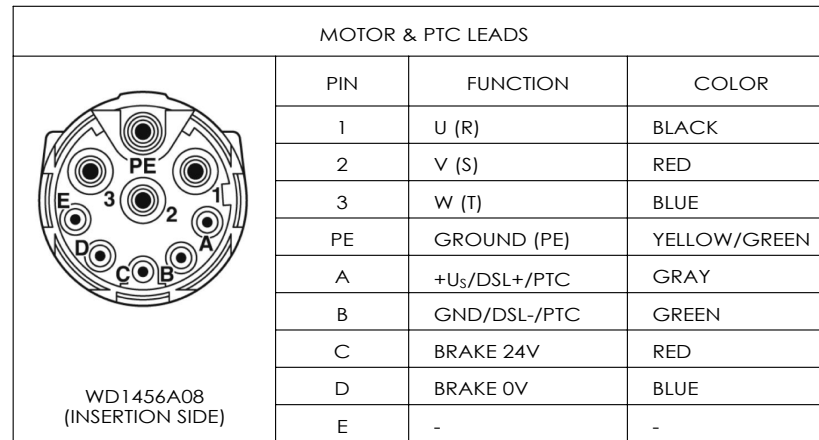
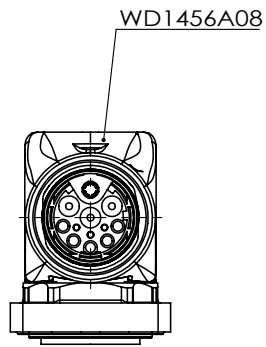
---

<b>LB1577T01</b>									
<b>MODEL:</b>	HDS65-0206AGKNN								
<b>PN</b>	0.6	<b>KW</b>	<b>TO</b>	1.8	<b>N.M</b>	<b>IO</b>	4.5	<b>A</b>	
<b>U</b>	230	<b>V</b>	<b>TP</b>	5.4	<b>N.M</b>	<b>IP</b>	15.0	<b>A</b>	
<b>NN/N MAX</b>	3000/5000		<b>RPM</b>	3XPTC130					
<b>FBK</b>	S.DSL		<b>IP</b>	IP54	<b>INS F</b>				
<b>BRK:</b>	VDC/		<b>N.M</b>						
<b>S/N</b>									

---



CD2167A06



WD1456A08  
(INSERTION SIDE)

REV. DESC: REVISE CONNECTOR DEFINITION			
REV: A	VERSION: 01	REVISED: 11:03:33 05/08/2017	TDR: 000001026068
90A77A00	MODEL NO. CD2167A05		REF: -
	BY: CNCHLI10	Material: -	

**BALDOR**

CONNECTION DIAGRAM,POWER & DSL,HDS65

CD2167A06