

**BALDOR® • RELIANCE™**

---

# Customer information packet

## HDS65-0206AEKNN

HDS65-0206AEKNN, INCR.ENCODER, KEY

**Specifications**

<b>Bearing Grease Type</b>	Polyrex EM
<b>Dimensional Drawing Numbers</b>	HD65LYA004
<b>Frame Material</b>	Laminated
<b>Nameplate Amps</b>	4.5

**Part detail**

<b>Revision</b>	G
<b>Type</b>	
<b>Mech. spec.</b>	
<b>Base</b>	
<b>Status</b>	PRD/A
<b>Elec. spec.</b>	
<b>Layout</b>	HD65LYA004
<b>Eff. date</b>	03-03-2021
<b>CD Diagram</b>	
<b>Poles</b>	
<b>Leads</b>	
<b>Proprietary</b>	False
<b>Created date</b>	08-10-2017

**Nameplate**

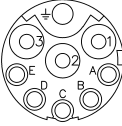
---

<b>LB1577T01</b>									
<b>MODEL:</b>	HDS65-0206AEKNN								
<b>PN</b>	0.6	<b>KW</b>	<b>TO</b>	1.8	<b>N.M</b>	<b>IO</b>	4.5	<b>A</b>	
<b>U</b>	230	<b>V</b>	<b>TP</b>	5.4	<b>N.M</b>	<b>IP</b>	15.0	<b>A</b>	
<b>NN/N MAX</b>	3000/5000		<b>RPM</b>	3XPTC130					
<b>FBK</b>	ENC		<b>IP</b>	IP54		<b>INS F</b>			
<b>BRK:</b>	VDC/		<b>N.M</b>						
<b>S/N</b>									

---

HD65LYA004

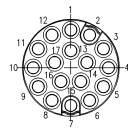
MOTOR & BRAKE & PTC LEADS



PIN	FUNCTION	COLOR
1	U (R)	BLACK
2	V (S)	RED
3	W (T)	BLUE
PE	GROUND (PE)	YELLOW/GREEN
A	PTC	BLACK
B	PTC	BLUE
C	BRAKE 24V (OPTIONAL)	RED
D	BRAKE 0V (OPTIONAL)	BLUE
E	-	-

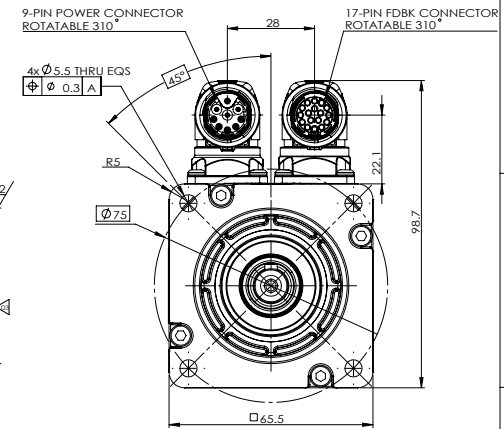
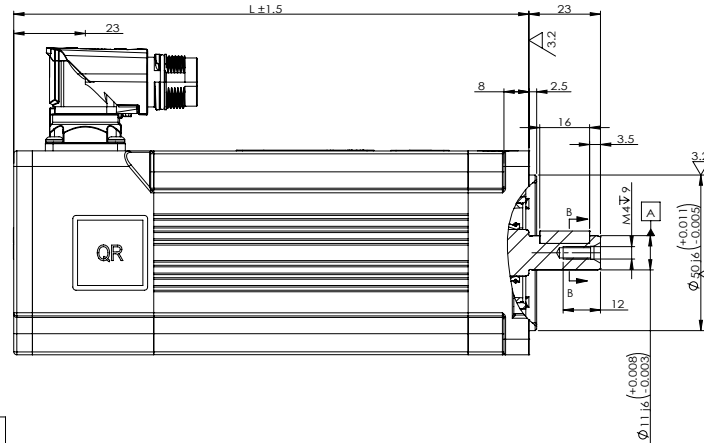
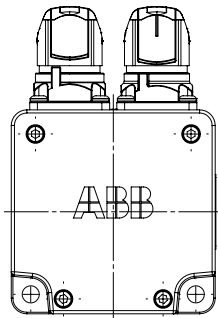
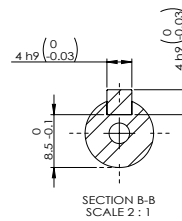
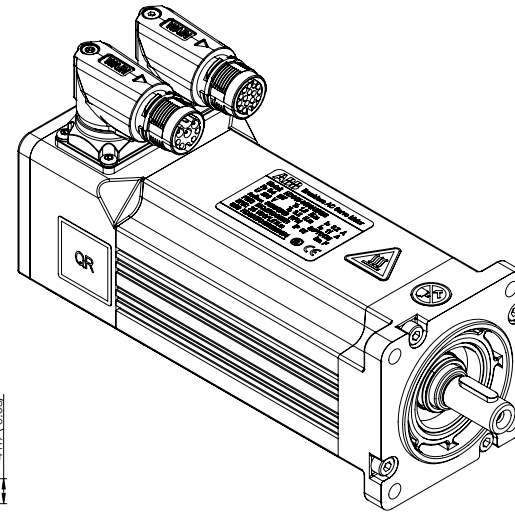
WD1456A08  
WD1456A27  
(INSERTION SIDE)

INCREMENTAL ENCODER LEADS



PIN	FUNCTION	COLOR	PIN	FUNCTION	COLOR
1	DC+5V	RED	10	U	BROWN/BLACK
2	GND	BLACK	11	V	GRAY
3	A	BLUE	12	W	WHITE
4	A-bar	BLUE/BLACK	13	W-bar	WHITE/BLACK
5	B	GREEN	14	Z	YELLOW
6	B-bar	GREEN/BLACK	15	Z-bar	YELLOW/BLACK
7	Z	YELLOW	16	NC	-
8	Z-bar	YELLOW/BLACK	17	NC	-
9	NC	-			

WD1456A07  
WD1456A28  
(INSERTION SIDE)



MOTOR TYPE	L (MM)	MOMENT OF INERTIA (Kgcm <sup>2</sup> )	WEIGHT (Kg)
HDS65-0102AEKBX	147.5	0.19	1.81
HDS65-0104AEKBX	165.5	0.30	2.38
HDS65-0206AEKBX	183.5	0.42	2.95
HDS65-0102AEKNN	147.5	0.15	1.41
HDS65-0104AEKNN	165.5	0.27	1.98
HDS65-0206AEKNN	183.5	0.39	2.55

NOTES:  
1. DIMENSIONS ARE IN MM

TOLERANCE UNLESS SPEC.  
DIM ± 0.5 MM  
ANG ± 0.5° RAD=0.4 MM

REV. DESC: CHANGE THE CONNECTION STYLE  
REV: D | VERSION: 04 | REVISED: 02-31-35 01/24/2024 | TDR: 00001223820  
MODEL NO. HD65LYA004 | REF: -  
BY: CNCONE | Material: -

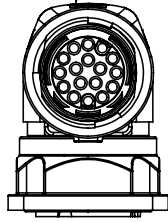
**BALDOR**

HDS65 LAYOUT, INC. ENCODER, KEY, BRAKE, SEAL

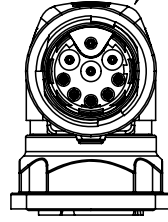
HD65LYA004

CD2167A07

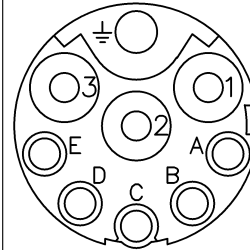
WD1456A07  
WD1456A28



WD1456A08  
WD1456A27

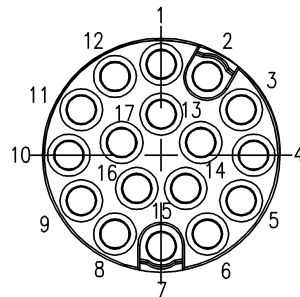


MOTOR & PTC LEADS		
PIN	FUNCTION	COLOR
1	U (R)	BLACK
2	V (S)	RED
3	W (T)	BLUE
PE	GROUND (PE)	YELLOW/GREEN
A	PTC	BLACK
B	PTC	BLUE
C	BRAKE 24V	RED
D	BRAKE 0V	BLUE
E	-	-



WD1456A27  
(INSERTION SIDE)

INCREMENTAL ENCODER LEADS					
PIN	FUNCTION	COLOR	PIN	FUNCTION	COLOR
1	DC+5V	RED	10	U	BROWN
2	GND	BLACK	11	$\bar{U}$	BROWN/BLACK
3	A	BLUE	12	V	GRAY
4	$\bar{A}$	BLUE/BLACK	13	$\bar{V}$	GRAY/BLACK
5	B	GREEN	14	W	WHITE
6	$\bar{B}$	GREEN/BLACK	15	$\bar{W}$	WHITE/BLACK
7	Z	YELLOW	16	NC	-
8	$\bar{Z}$	YELLOW/BLACK	17	NC	-
9	NC	-			



WD1456A28  
(INSERTION SIDE)

REV. DESC: CHANGE THE DRAWING

REV: C    VERSION: 03    REVISED: 01:27:31 01/24/2024    TDR: 000001223820

CD2167A07

MODEL NO. WD1456A28

REF: -

BY: CNCONIE    Material: -

**BALDOR**

CONNECTION DIAGRAM, POWER & INCREMENTAL ENCODER, HDS65

CD2167A07