

ABB BALDOR RELIANCE III

Customer information packet HDS65-0104ARKNN

HDS65-0104ARKNN, RESOLVER, KEY

Specifications

Bearing Grease Type	Polyrex EM
Dimensional Drawing Numbers	HD65LYA002
Frame Material	Laminated
Nameplate Amps	3.2

Part Detail

Revision	E
Type	
Mech. spec.	
Base	
Status	PRD/A
Elec. spec.	
Layout	HD65LYA002
Eff. date	04-09-2018
CD Diagram	
Poles	
Leads	
Proprietary	False
Created date	08-15-2017

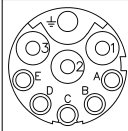
Nameplate

LB1577T01

MODEL:	HDS65-0104ARKNN								
PN	0.4	KW	TO	1.2	N.M	IO	3.2	A	
U	230	V	TP	3.6	N.M	IP	11.0	A	
NN/N MAX	3000/5000		RPM	3XPTC130					
FBK	RES		IP	IP54	INS F				
BRK:	VDC/					N.M			
S/N									

HD65LYA002

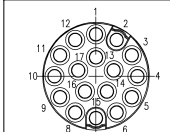
MOTOR & BRAKE & PTC LEADS



PIN	FUNCTION	COLOR
1	U (R)	BLACK
2	V (S)	RED
3	W (T)	BLUE
PE	GROUND (PE)	YELLOW/GREEN
A	PTC	BLACK
B	PTC	BLUE
C	BRAKE 24V (OPTIONAL)	RED
D	BRAKE 0V (OPTIONAL)	BLUE
E	-	-

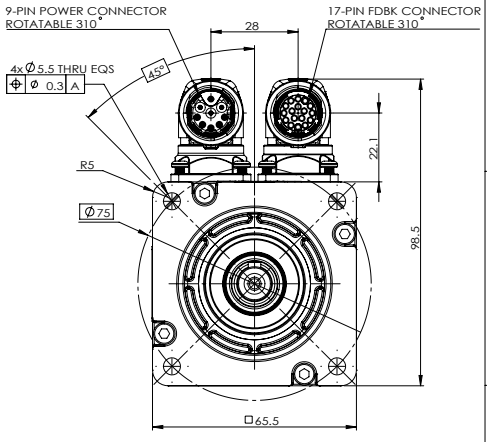
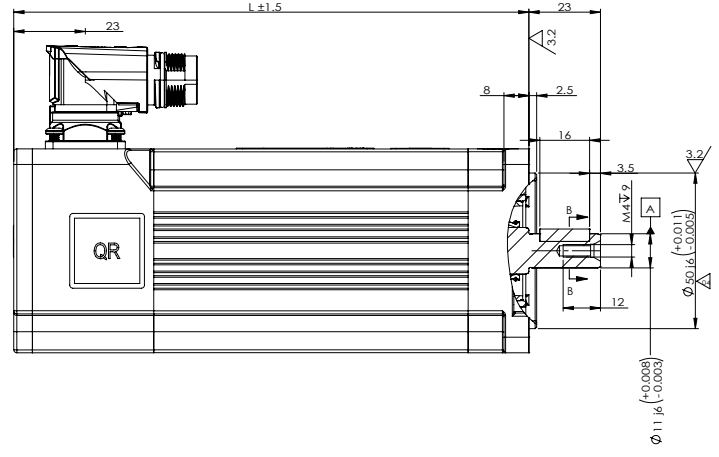
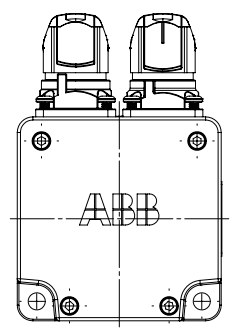
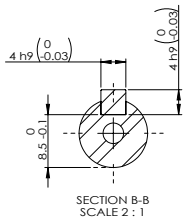
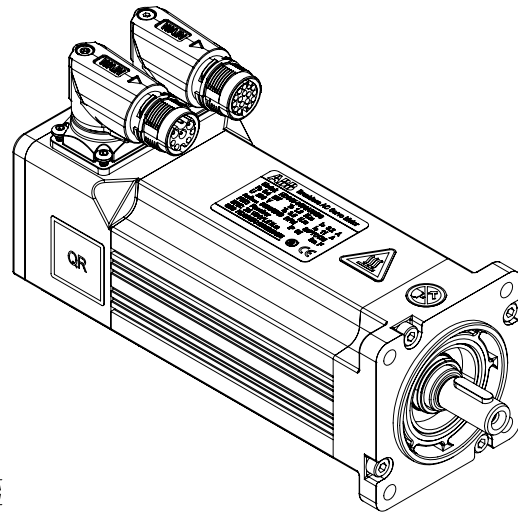
WD1456A06
WD1456A27
(INSERTION SIDE)

RESOLVER LEADS



PIN	FUNCTION	COLOR
1	REF HI R1	RED/WHITE
2	REF LO R2	YELLOW/WHITE
3	COS + S1	RED
4	COS - S3	BLACK
5	SINE - S4	BLUE
6	SINE + S2	YELLOW
7-17	-	-

WD1456A07
WD1456A28
(INSERTION SIDE)



MOTOR TYPE	L (MM)	MOMENT OF INERTIA (Kgcm ²)	WEIGHT (Kg)
HDS65-0102ARKBX	147.5	0.21	1.81
HDS65-0104ARKBX	165.5	0.32	2.38
HDS65-0206ARKBX	183.5	0.44	2.95
HDS65-0102ARKNX	147.5	0.18	1.41
HDS65-0104ARKNX	165.5	0.29	1.98
HDS65-0206ARKNX	183.5	0.41	2.55

NOTES:
1. DIMENSIONS ARE IN MM

TOLERANCE UNLESS SPEC.
DIM ±0.5 MM
ANG ±0.5° RAD=0.4 MM

REV. DESC: CHANGE THE CONNECTION STYLE	REVISED: 01-48-44 01/24/2024	TDR: 900001223820
REV: E VERSION: 05		REF: -
MODEL NO. HD65LYA002		
BY: CNCONIE	Material: -	

BALDOR

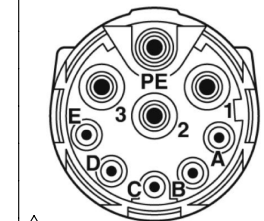
HDS65 LAYOUT,RESOLVER,KEY,BRAKE,SEAL

HD65LYA002

CD2167A05

MOTOR & PTC LEADS

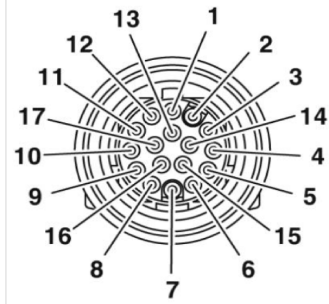
PIN	FUNCTION	COLOR
1	U (R)	BLACK
2	V (S)	RED
3	W (T)	BLUE
PE	GROUND (PE)	YELLOW/GREEN
A	PTC	BLACK ⁰²
B	PTC	BLUE
C	BRAKE 24V	RED
D	BRAKE 0V	BLUE
E	-	-



⁰³ WD1456A27
~~WD1456A08~~
(INSERTION SIDE)

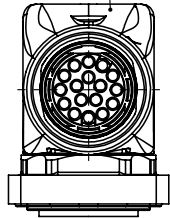
RESOLVER LEADS

PIN	FUNCTION	COLOR
1	REF HI R1	RED/WHITE
2	REF LO R2	YELLOW/WHITE
3	COS + S1	RED
4	COS - S3	BLACK
5	SINE - S4	BLUE
6	SINE + S2	YELLOW
7-17	-	-

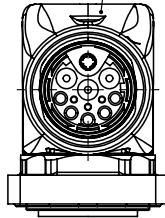


⁰³ WD1456A28 ~~WD1456A07~~
(INSERTION SIDE)

WD1456A28 ⁰³
~~WD1456A07~~



WD1456A27 ⁰³
~~WD1456A08~~



REV. DESC: CHANGE DESCRIPTION

REV: C VERSION: 03 REVISED: 02:08:53 12/30/2024 TDR: 000001247054

CD2167A05

MODEL NO. CD2167A05

REF: -

BY: CNCONIE Material: -

BALDOR

CONNECTION DIAGRAM, POWER & RESOLVER, HDS65

CD2167A05