

BALDOR • RELIANCE

Customer information packet

HDS65-0104AGKNN

HDS65-0104A W/ABSOLUTE SINGL-TURN (DSL),

Specifications

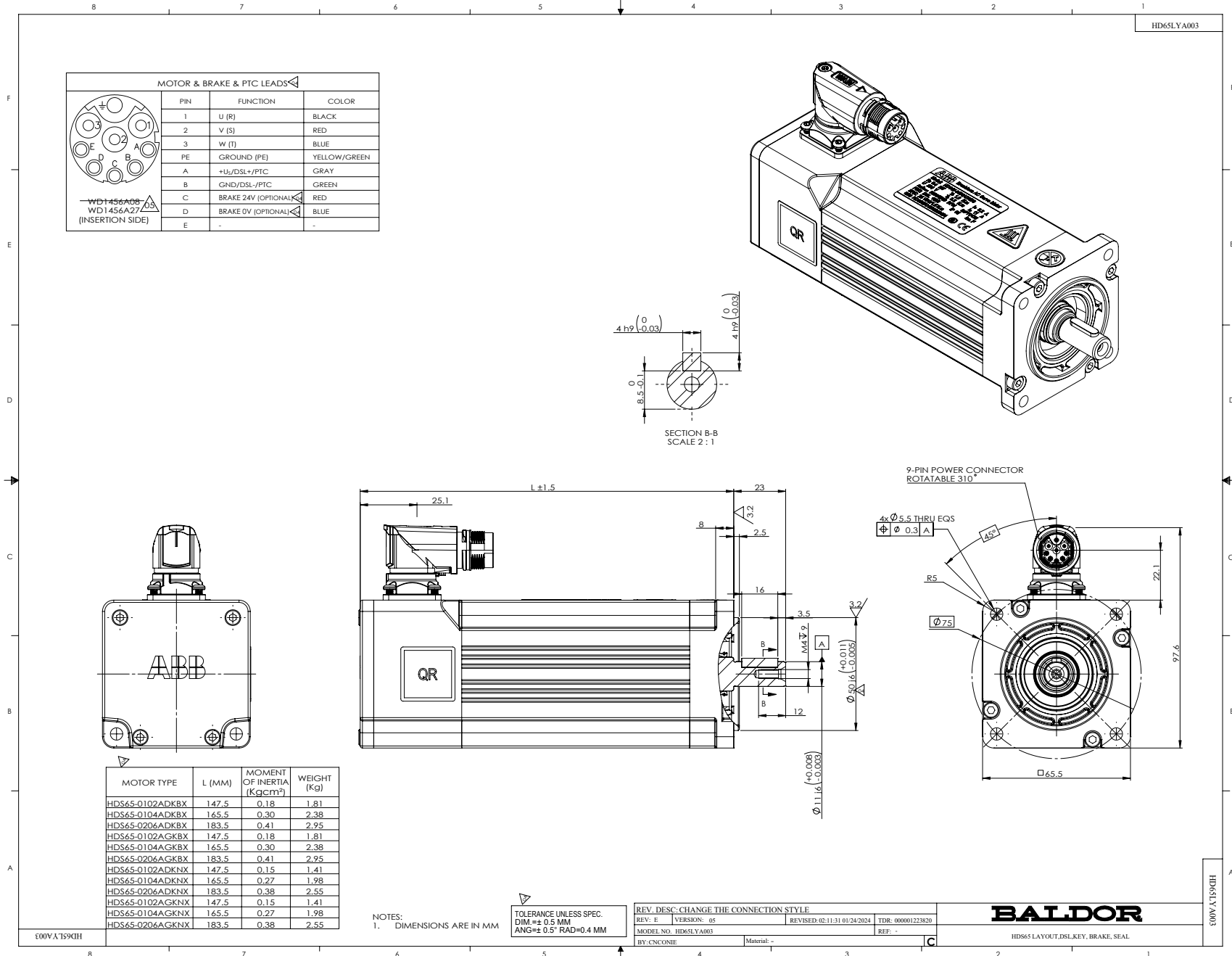
Bearing Grease Type	Polyrex EM
Dimensional Drawing Numbers	HD65LYA003
Nameplate Amps	3.2

Part detail

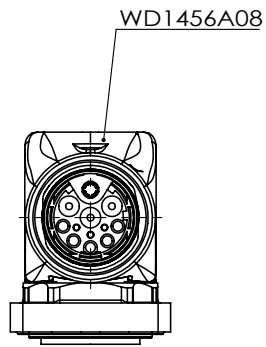
Revision	E
Type	
Mech. spec.	
Base	
Status	PRD/A
Elec. spec.	
Layout	HD65LYA003
Eff. date	04-16-2018
CD Diagram	
Poles	
Leads	
Proprietary	False
Created date	08-15-2017

Nameplate

LB1577T01									
MODEL:	HDS65-0104AGKNN								
PN	0.4	KW	TO	1.2	N.M	IO	3.2	A	
U	230	V	TP	3.6	N.M	IP	11.0	A	
NN/N MAX	3000/5000		RPM	3XPTC130					
FBK	S.DSL		IP	IP54	INS F				
BRK:	VDC/		N.M						
S/N									



CD2167A06



MOTOR & PTC LEADS			
	PIN	FUNCTION	COLOR
<p>WD1456A08 (INSERTION SIDE)</p>	1	U (R)	BLACK
	2	V (S)	RED
	3	W (T)	BLUE
	PE	GROUND (PE)	YELLOW/GREEN
	A	+U _s /DSL+/PTC	GRAY
	B	GND/DSL-/PTC	GREEN
	C	BRAKE 24V	RED
	D	BRAKE 0V	BLUE
	E	-	-

REV. DESC: REVISE CONNECTOR DEFINITION			
REV: A	VERSION: 01	REVISED: 11:03:33 05/08/2017	TDR: 000001026068
90A77A00	MODEL NO. CD2167A05		REF: -
	BY: CNCHLI10	Material: -	

BALDOR

CONNECTION DIAGRAM,POWER & DSL,HDS65

CD2167A06