

BALDOR • RELIANCE

Customer information packet

HDS65-0104AEKNN

HDS65-0104A W/INC ENCODER(2500PPR), KEYW

Specifications

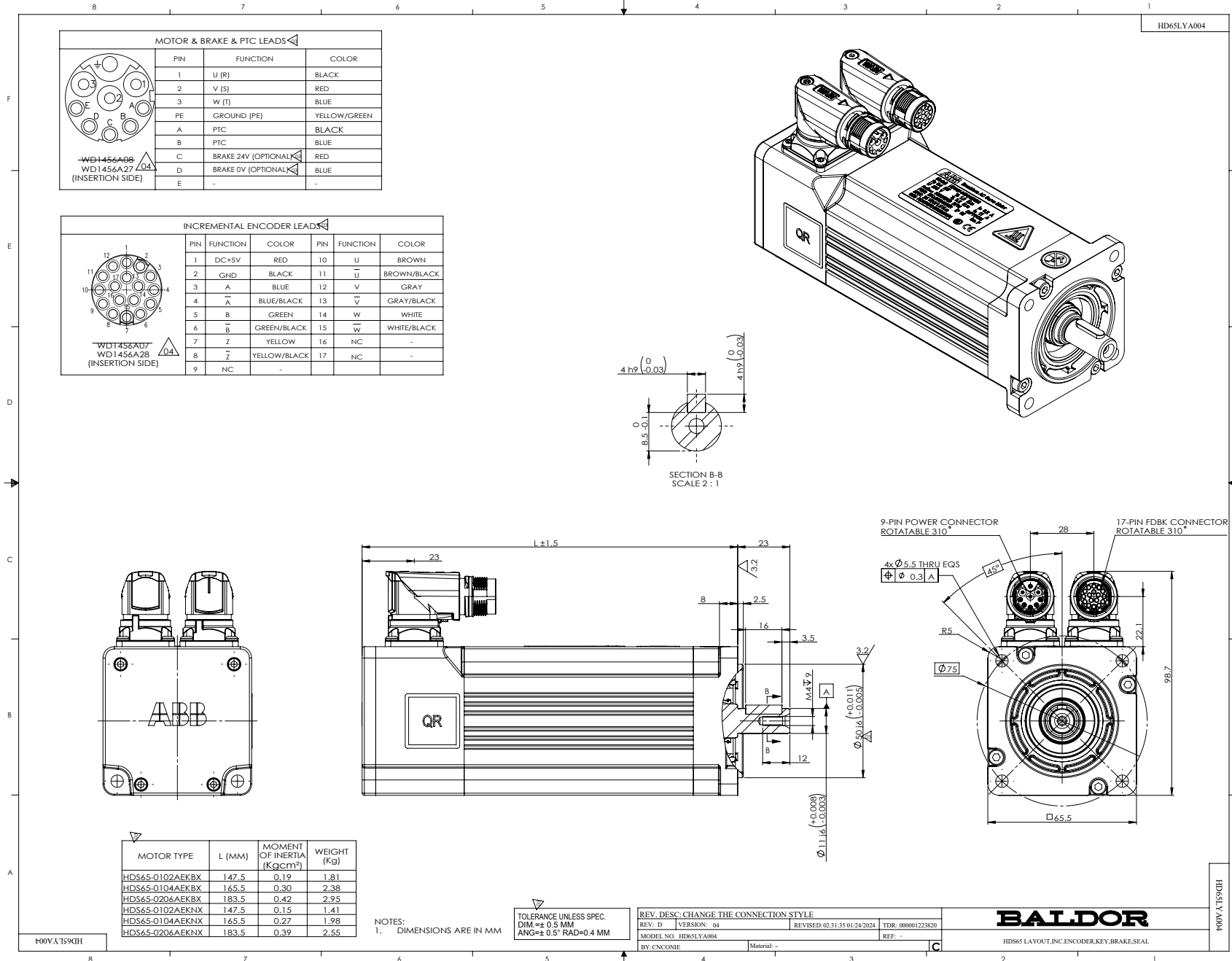
Bearing Grease Type	Polyrex EM
Dimensional Drawing Numbers	HD65LYA004
Nameplate Amps	3.2

Part detail

Revision	E
Type	
Mech. spec.	
Base	
Status	PRD/A
Elec. spec.	
Layout	HD65LYA004
Eff. date	04-16-2018
CD Diagram	
Poles	
Leads	
Proprietary	False
Created date	08-16-2017

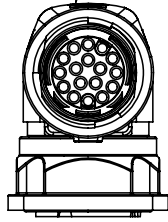
Nameplate

LB1577T01									
MODEL:	HDS65-0104AEKNN								
PN	0.4	KW	TO	1.2	N.M	IO	3.2	A	
U	230	V	TP	3.6	N.M	IP	11.0	A	
NN/N MAX	3000/5000		RPM		3XPTC130				
FBK	ENC		IP	IP54	INS F				
BRK:		VDC/		N.M					
S/N									

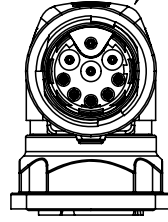


CD2167A07

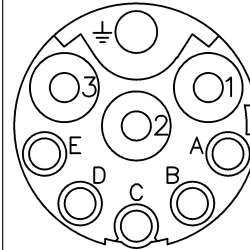
WD1456A07
WD1456A28 03



WD1456A08
WD1456A27 03

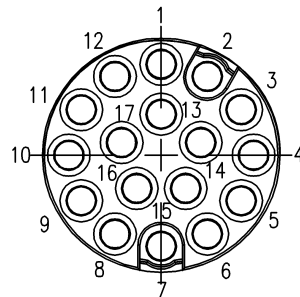


MOTOR & PTC LEADS		
PIN	FUNCTION	COLOR
1	U (R)	BLACK
2	V (S)	RED
3	W (T)	BLUE
PE	GROUND (PE)	YELLOW/GREEN
A	PTC	BLACK 02
B	PTC	BLUE
C	BRAKE 24V	RED
D	BRAKE 0V	BLUE
E	-	-



WD1456A27
(INSERTION SIDE) 03

INCREMENTAL ENCODER LEADS					
PIN	FUNCTION	COLOR	PIN	FUNCTION	COLOR
1	DC+5V	RED	10	U	BROWN
2	GND	BLACK	11	\bar{U}	BROWN/BLACK
3	A	BLUE	12	V	GRAY
4	\bar{A}	BLUE/BLACK	13	\bar{V}	GRAY/BLACK
5	B	GREEN	14	W	WHITE
6	\bar{B}	GREEN/BLACK	15	\bar{W}	WHITE/BLACK
7	Z	YELLOW	16	NC	-
8	\bar{Z}	YELLOW/BLACK	17	NC	-
9	NC	-			



WD1456A28
(INSERTION SIDE) 03

REV. DESC: CHANGE THE DRAWING

REV: C VERSION: 03 REVISED: 01:27:31 01/24/2024 TDR: 000001223820

CD2167A07

MODEL NO. WD1456A28

REF: -

BY: CNCONIE Material: -

BALDOR

CONNECTION DIAGRAM, POWER & INCREMENTAL ENCODER, HDS65

CD2167A07