

ABB BALDOR RELIANCE III

Customer information packet HDS65-0102AGKNN

HDS65-0102A W/ABSOLUTE SINGL-TURN (DSL),

Specifications

Bearing Grease Type	Polyrex EM
Dimensional Drawing Numbers	HD65LYA003
Nameplate Amps	1.7

Part Detail

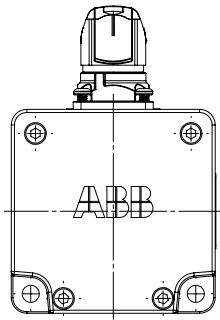
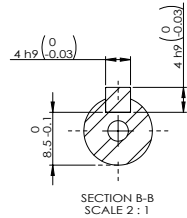
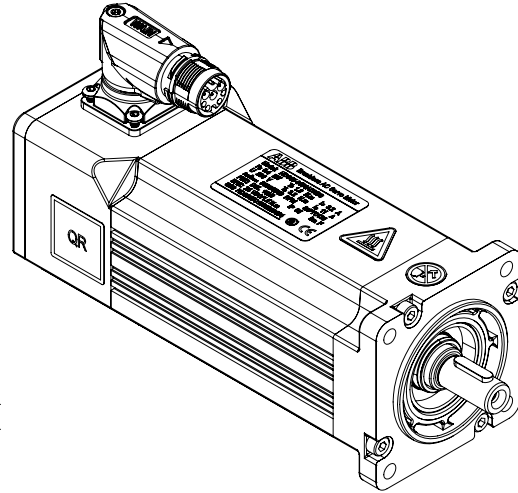
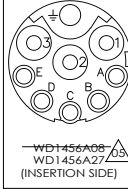
Revision	E
Type	
Mech. spec.	
Base	
Status	PRD/A
Elec. spec.	
Layout	HD65LYA003
Eff. date	04-16-2018
CD Diagram	
Poles	
Leads	
Proprietary	False
Created date	08-15-2017

Nameplate

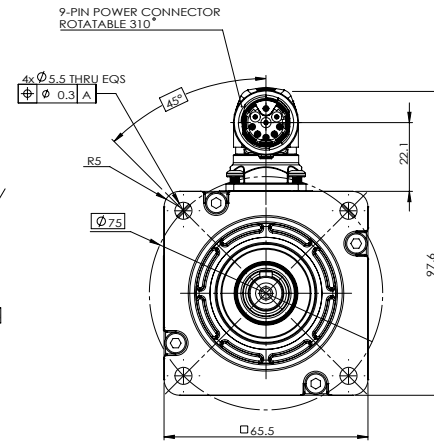
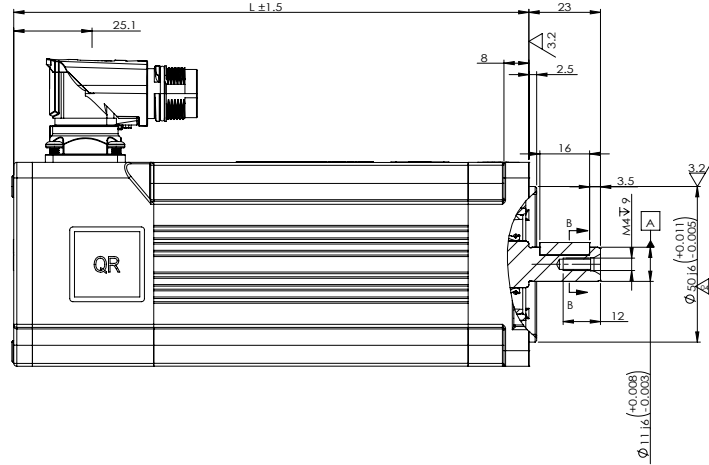
LB1577T01									
MODEL:	HDS65-0102AGKNN								
PN	0.2	KW	TO	0.6	N.M	IO	1.7	A	
U	230	V	TP	1.8	N.M	IP	6.0	A	
NN/N MAX	3000/5000		RPM	3XPTC130					
FBK	S.DSL		IP	IP54		INS F			
BRK:	VDC/				N.M				
S/N									

HD65LYA003

MOTOR & BRAKE & PTC LEADS		
PIN	FUNCTION	COLOR
1	U (R)	BLACK
2	V (S)	RED
3	W (T)	BLUE
PE	GROUND (PE)	YELLOW/GREEN
A	+U ₁ /DSL+/PTC	GRAY
B	GND/DSL-/PTC	GREEN
C	BRAKE 24V (OPTIONAL)	RED
D	BRAKE 0V (OPTIONAL)	BLUE
E	-	-



MOTOR TYPE	L (MM)	MOMENT OF INERTIA (Kgcm ²)	WEIGHT (Kg)
HDS65-0102ADK8X	147.5	0.18	1.81
HDS65-0104ADK8X	165.5	0.30	2.38
HDS65-0206ADK8X	183.5	0.41	2.95
HDS65-0102AGK8X	147.5	0.18	1.81
HDS65-0104AGK8X	165.5	0.30	2.38
HDS65-0206AGK8X	183.5	0.41	2.95
HDS65-0102ADKNX	147.5	0.15	1.41
HDS65-0104ADKNX	165.5	0.27	1.98
HDS65-0206ADKNX	183.5	0.38	2.55
HDS65-0102AGKNX	147.5	0.15	1.41
HDS65-0104AGKNX	165.5	0.27	1.98
HDS65-0206AGKNX	183.5	0.38	2.55



NOTES:
1. DIMENSIONS ARE IN MM

TOLERANCE UNLESS SPEC.
DIM = ± 0.5 MM
ANG = ± 0.5° RAD = 0.4 MM

REV. E	VERSION: 05	REVISED: 02-11-31 01/24/2024	TDR: 900001223820
MODEL NO. HD65LYA003			REF: -
BY: CNC/CONIE	Material: -		

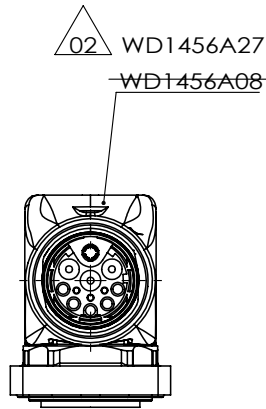
BALDOR

HDS65 LAYOUT_DSL_KEY, BRAKE, SEAL

HD65LYA003

500V A T59GH

CD2167A06



MOTOR & PTC LEADS		
PIN	FUNCTION	COLOR
1	U (R)	BLACK
2	V (S)	RED
3	W (T)	BLUE
PE	GROUND (PE)	YELLOW/GREEN
A	+U _s /DSL+/PTC	GRAY
B	GND/DSL-/PTC	GREEN
C	BRAKE 24V	RED
D	BRAKE 0V	BLUE
E	-	-

02 WD1456A27
-WD1456A08-
(INSERTION SIDE)

REV. DESC: CHANGE DESCRIPTION

REV: B VERSION: 02 REVISED: 03:55:13 12/23/2024 TDR: 000001247054

90A71DC

MODEL NO. CD2167A05

REF: -

BY: CNCONIE

Material: -

BALDOR

CONNECTION DIAGRAM,POWER & DSL,HDS65

CD2167A06