

**BALDOR® • RELIANCE®**

---

# Customer information packet

## HDS180-3555BEKNN

HDS180-3555BEKNN, INC.ENC, KEY

**Specifications**

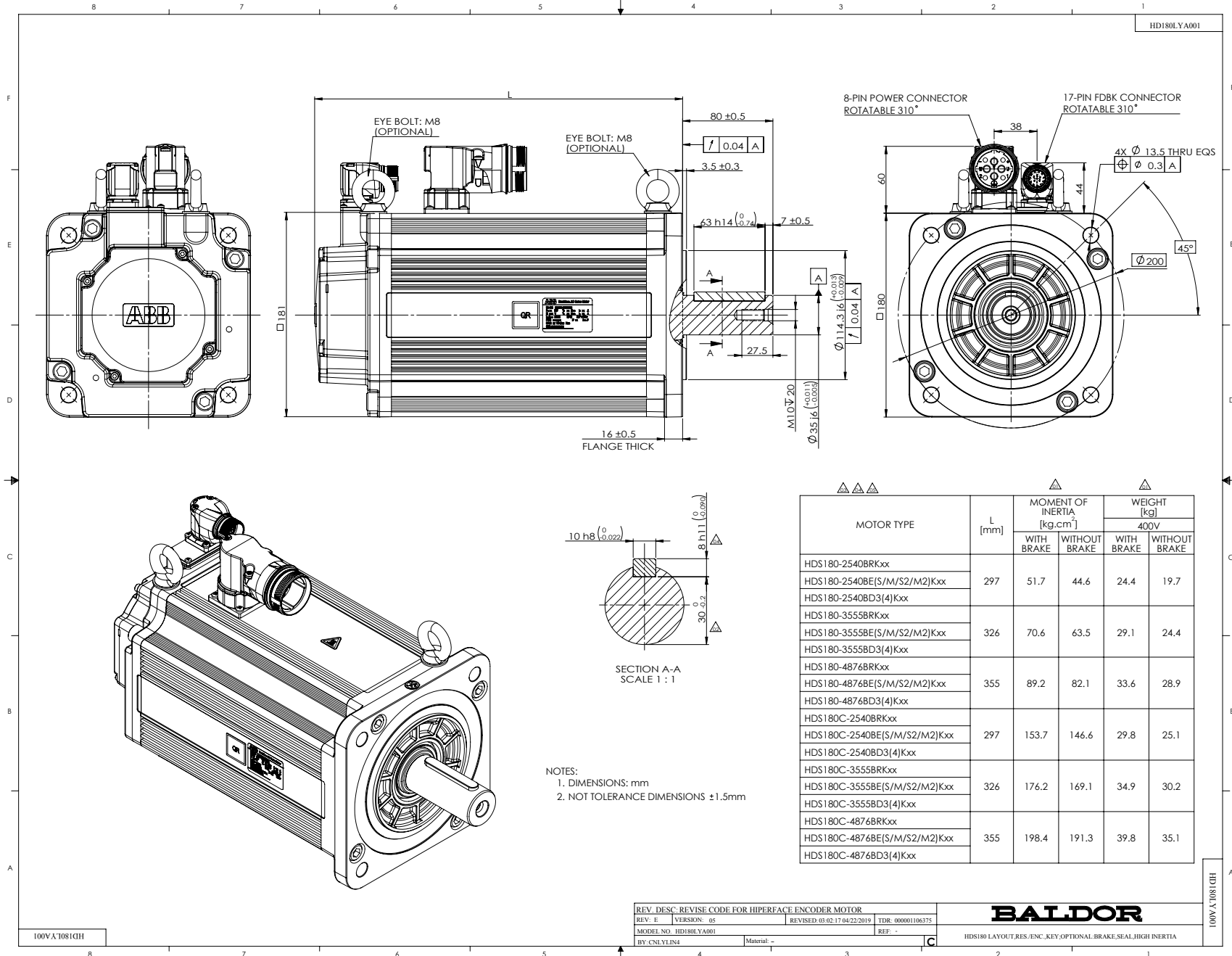
<b>Bearing Grease Type</b>	Polyrex EM
<b>Dimensional Drawing Numbers</b>	HD180LYA001
<b>Nameplate Amps</b>	21.5

**Part detail**

<b>Revision</b>	B
<b>Type</b>	
<b>Mech. spec.</b>	
<b>Base</b>	
<b>Status</b>	PRD/A
<b>Elec. spec.</b>	
<b>Layout</b>	HD180LYA001
<b>Eff. date</b>	05-13-2019
<b>CD Diagram</b>	
<b>Poles</b>	
<b>Leads</b>	
<b>Proprietary</b>	False
<b>Created date</b>	02-27-2018

**Nameplate****LB1577T01**

<b>MODEL:</b>	HDS180-3555BEKNN									
<b>PN</b>	5.5	<b>KW</b>	<b>TO</b>	35.0	<b>N.M</b>	<b>IO</b>	21.5	<b>A</b>		
<b>U</b>	400	<b>V</b>	<b>TP</b>	105.0	<b>N.M</b>	<b>IP</b>	70.4	<b>A</b>		
<b>NN/N MAX</b>	1500/3500		<b>RPM</b>	3XPTC130						
<b>FBK</b>	ENC		<b>IP</b>	IP54		<b>INS F</b>				
<b>BRK:</b>	VDC/				<b>N.M</b>					
<b>S/N</b>										



MOTOR TYPE	L [mm]	MOMENT OF INERTIA [kg.cm <sup>2</sup> ]		WEIGHT [kg]	
		WITH BRAKE	WITHOUT BRAKE	WITH BRAKE	WITHOUT BRAKE
HDS180-2540BRKxx	297	51.7	44.6	24.4	19.7
HDS180-2540BE(S/M/S2/M2)Kxx					
HDS180-2540BD3(4)Kxx					
HDS180-3555BRKxx	326	70.6	63.5	29.1	24.4
HDS180-3555BE(S/M/S2/M2)Kxx					
HDS180-3555BD3(4)Kxx					
HDS180-4876BRKxx	355	89.2	82.1	33.6	28.9
HDS180-4876BE(S/M/S2/M2)Kxx					
HDS180-4876BD3(4)Kxx					
HDS180C-2540BRKxx	297	153.7	146.6	29.8	25.1
HDS180C-2540BE(S/M/S2/M2)Kxx					
HDS180C-2540BD3(4)Kxx					
HDS180C-3555BRKxx	326	176.2	169.1	34.9	30.2
HDS180C-3555BE(S/M/S2/M2)Kxx					
HDS180C-3555BD3(4)Kxx					
HDS180C-4876BRKxx	355	198.4	191.3	39.8	35.1
HDS180C-4876BE(S/M/S2/M2)Kxx					
HDS180C-4876BD3(4)Kxx					

NOTES:  
 1. DIMENSIONS: mm  
 2. NOT TOLERANCE DIMENSIONS ±1.5mm

REV. DESC. REVISE CODE FOR HIPERFACE ENCODER MOTOR			
REV. E	VERSION: 05	REVISED: 03-02-17 04:22/2019	TDR: 00001106375
MODEL NO. HD180LA001		REF. -	
BY: CNLVLIN4	Material: -		

**BALDOR**

HDS180 LAYOUT.RES./ENC./KEY/OPTIONAL.BRAKE/SEAL/HIGH INERTIA

