

**BALDOR® • RELIANCE®**

---

# Customer information packet

## HDS130-1829CSKNN

HDS130-1829CSKNN, SMART-ABS ENCODER, KEY

**Specifications**

|                                    |             |
|------------------------------------|-------------|
| <b>Bearing Grease Type</b>         | Polyrex EM  |
| <b>Dimensional Drawing Numbers</b> | HD130LYA001 |
| <b>Nameplate Amps</b>              | 13.0        |

**Part detail**

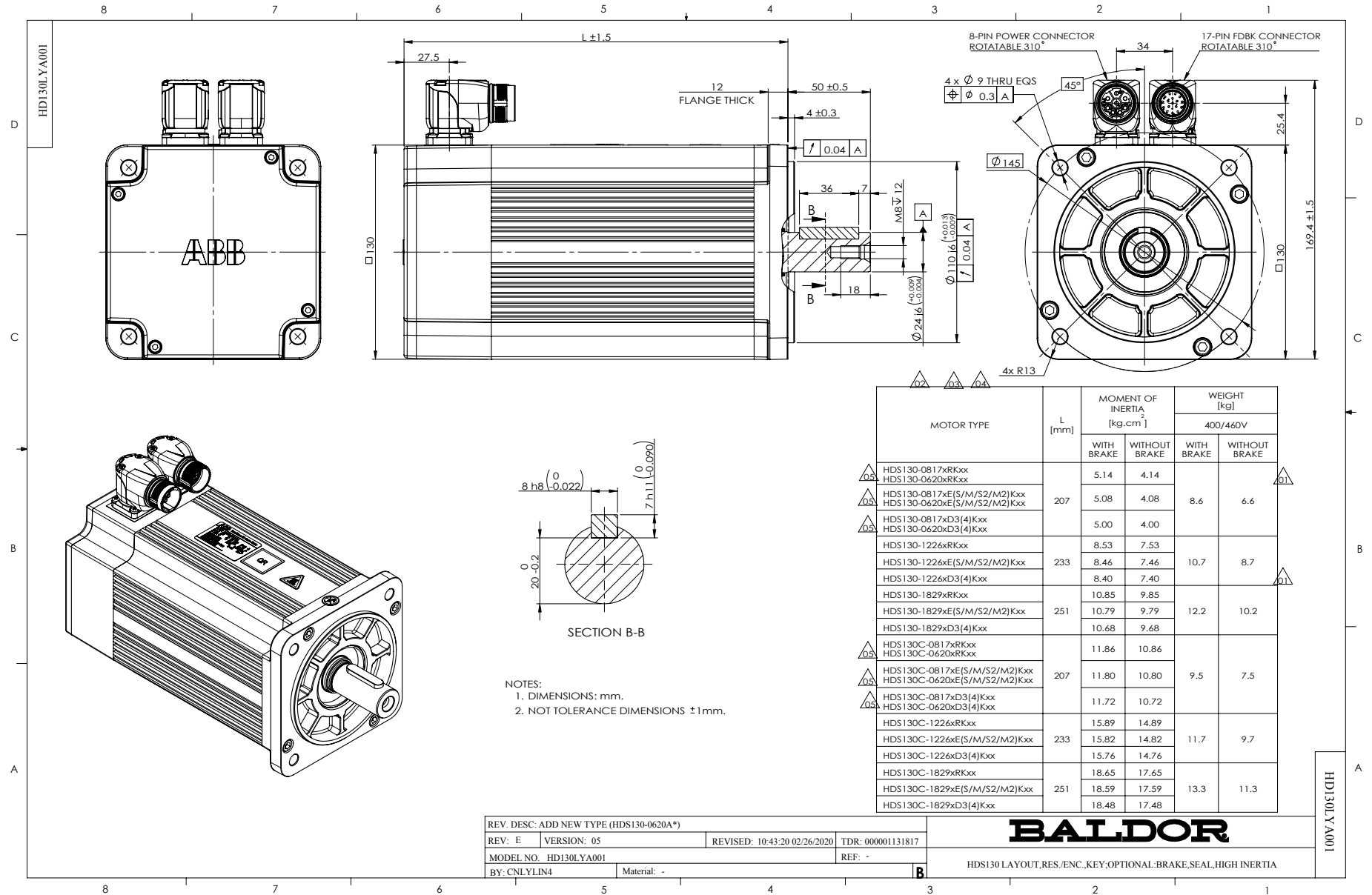
|                     |             |
|---------------------|-------------|
| <b>Revision</b>     | F           |
| <b>Type</b>         |             |
| <b>Mech. spec.</b>  |             |
| <b>Base</b>         |             |
| <b>Status</b>       | PRD/A       |
| <b>Elec. spec.</b>  |             |
| <b>Layout</b>       | HD130LYA001 |
| <b>Eff. date</b>    | 04-09-2018  |
| <b>CD Diagram</b>   |             |
| <b>Poles</b>        |             |
| <b>Leads</b>        |             |
| <b>Proprietary</b>  | False       |
| <b>Created date</b> | 08-15-2017  |

**Nameplate**

---

| <b>LB1577T01</b> |                  |           |            |          |              |           |      |          |  |
|------------------|------------------|-----------|------------|----------|--------------|-----------|------|----------|--|
| <b>MODEL:</b>    | HDS130-1829CSKNN |           |            |          |              |           |      |          |  |
| <b>PN</b>        | 2.9              | <b>KW</b> | <b>TO</b>  | 18.0     | <b>N.M</b>   | <b>IO</b> | 13.0 | <b>A</b> |  |
| <b>U</b>         | 460              | <b>V</b>  | <b>TP</b>  | 54.0     | <b>N.M</b>   | <b>IP</b> | 42.0 | <b>A</b> |  |
| <b>NN/N MAX</b>  | 1500/4000        |           | <b>RPM</b> | 3XPTC130 |              |           |      |          |  |
| <b>FBK</b>       | S.ABS            |           | <b>IP</b>  | IP54     | <b>INS F</b> |           |      |          |  |
| <b>BRK:</b>      | VDC/             |           | <b>N.M</b> |          |              |           |      |          |  |
| <b>S/N</b>       |                  |           |            |          |              |           |      |          |  |

---



NOTES:  
 1. DIMENSIONS: mm.  
 2. NOT TOLERANCE DIMENSIONS  $\pm 1$ mm.

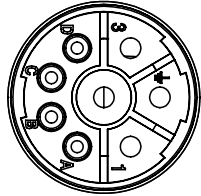
| MOTOR TYPE   | L [mm] | MOMENT OF INERTIA [kg.cm <sup>2</sup> ] |               | WEIGHT [kg] |               |
|--|--------|---|---------------|-------------|---------------|
|  |        | WITH BRAKE                              | WITHOUT BRAKE | WITH BRAKE  | WITHOUT BRAKE |
| HDS130-0817xRKxx<br>HDS130-0620xRKxx                         | 207    | 5.14                                    | 4.14          |             |               |
| HDS130-0817xE(S/M/S2/M2)Kxx<br>HDS130-0620xE(S/M/S2/M2)Kxx   |        | 5.08                                    | 4.08          | 8.6         | 6.6           |
| HDS130-0817xD3(4)Kxx<br>HDS130-0620xD3(4)Kxx                 | 251    | 5.00                                    | 4.00          |             |               |
| HDS130-1226xRKxx   |        | 8.53                                    | 7.53          |             |               |
| HDS130-1226xE(S/M/S2/M2)Kxx<br>HDS130-1226xD3(4)Kxx          | 233    | 8.46                                    | 7.46          | 10.7        | 8.7           |
| HDS130-1829xRKxx<br>HDS130-1829xE(S/M/S2/M2)Kxx              |        | 10.85                                   | 9.85          |             |               |
| HDS130-1829xD3(4)Kxx   | 251    | 10.79                                   | 9.79          | 12.2        | 10.2          |
| HDS130C-0817xRKxx<br>HDS130C-0620xRKxx                       |        | 10.68                                   | 9.68          |             |               |
| HDS130C-0817xE(S/M/S2/M2)Kxx<br>HDS130C-0620xE(S/M/S2/M2)Kxx | 207    | 11.86                                   | 10.86         |             |               |
| HDS130C-0817xD3(4)Kxx<br>HDS130C-0620xD3(4)Kxx               |        | 11.80                                   | 10.80         | 9.5         | 7.5           |
| HDS130C-1226xRKxx  | 233    | 11.72                                   | 10.72         |             |               |
| HDS130C-1226xE(S/M/S2/M2)Kxx                                 |        | 15.89                                   | 14.89         |             |               |
| HDS130C-1226xD3(4)Kxx  |        | 15.82                                   | 14.82         | 11.7        | 9.7           |
| HDS130C-1829xRKxx  | 251    | 15.76                                   | 14.76         |             |               |
| HDS130C-1829xE(S/M/S2/M2)Kxx                                 |        | 18.65                                   | 17.65         |             |               |
| HDS130C-1829xD3(4)Kxx  |        | 18.59                                   | 17.59         | 13.3        | 11.3          |
| HDS130C-1829xD3(4)Kxx  | 251    | 18.48                                   | 17.48         |             |               |

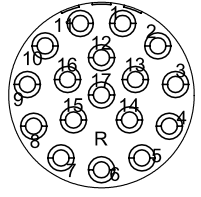
|   |             |                              |                   |  |
|---|-------------|------------------------------|-------------------|--|
| REV. DESC: ADD NEW TYPE (HDS130-0620A*) |             |                              | TDR: 000001131817 |  |
| REV: E                                  | VERSION: 05 | REVISED: 10.43.20 02/26/2020 |                   |  |
| MODEL NO. HD130LYA001                   |             | REF: -                       |                   |  |
| BY: CNLYLIN4                            | Material: - |                              |                   |  |

**BALDOR**

HDS130 LAYOUT, RES./ENC./KEY/OPTIONAL: BRAKE, SEAL, HIGH INERTIA

CD2167A04

| MOTOR & BRAKE LEADS   |       |             |              |
|---|-------|-------------|--------------|
|  <p>WD1456A26<br/>(INSERTION SIDE)</p> | PIN   | FUNCTION    | COLOR        |
|   | 1     | U (R)       | BLACK        |
|   | 2     | GROUND (PE) | YELLOW/GREEN |
|   | 3     | W (T)       | BLUE         |
|   | 4     | V (S)       | RED          |
|   | A     | PTC         | BLUE BLACK   |
|   | B     | PTC         | BLUE         |
|   | C     | BRAKE       | RED          |
| D   | BRAKE | BLUE        |              |

| SMART-ABS ENCODER LEADS  |     |                        |             |
|--|-----|------------------------|-------------|
|  <p>WD1456A21<br/>(INSECTION SIDE)</p> | PIN | FUNCTION               | COLOR       |
|  | 1   | VCC                    | RED         |
|  | 2   | GND                    | BLACK       |
|  | 3   | VB                     | BROWN       |
|  | 4   | GND                    | BROWN/BLACK |
|  | 5   | SD                     | BLUE        |
|  | 6   | $\overline{\text{SD}}$ | BLUE/BLACK  |
|  | 7   | CASE GND               | GRAY        |
| 8-17   |     |                        |             |

|                               |                     |                              |                   |
|-------------------------------|---------------------|------------------------------|-------------------|
| REV. DESC: ENGINEERING CHANGE |                     |                              |                   |
| REV: E                        | VERSION: 05         | REVISED: 04:28:49 03/04/2024 | TDR: 000001227267 |
| CD2167A04                     | MODEL NO. CD2167A04 |                              | REF: -            |
|                               | BY: CNCONIE         | Material: -                  |                   |

**BALDOR**

CONNECTION DIAGRAM, POWER & SMART-ABS ENCODER

CD2167A04