

**BALDOR • RELIANCE**

---

# Customer information packet

## HDS130-1829CGKNN

HDS130-1829C W/ABSOLUTE SINGL-TURN (DSL)

**Specifications**

<b>Bearing Grease Type</b>	Polyrex EM
<b>Dimensional Drawing Numbers</b>	HD130LYA002
<b>Nameplate Amps</b>	13

**Part detail**

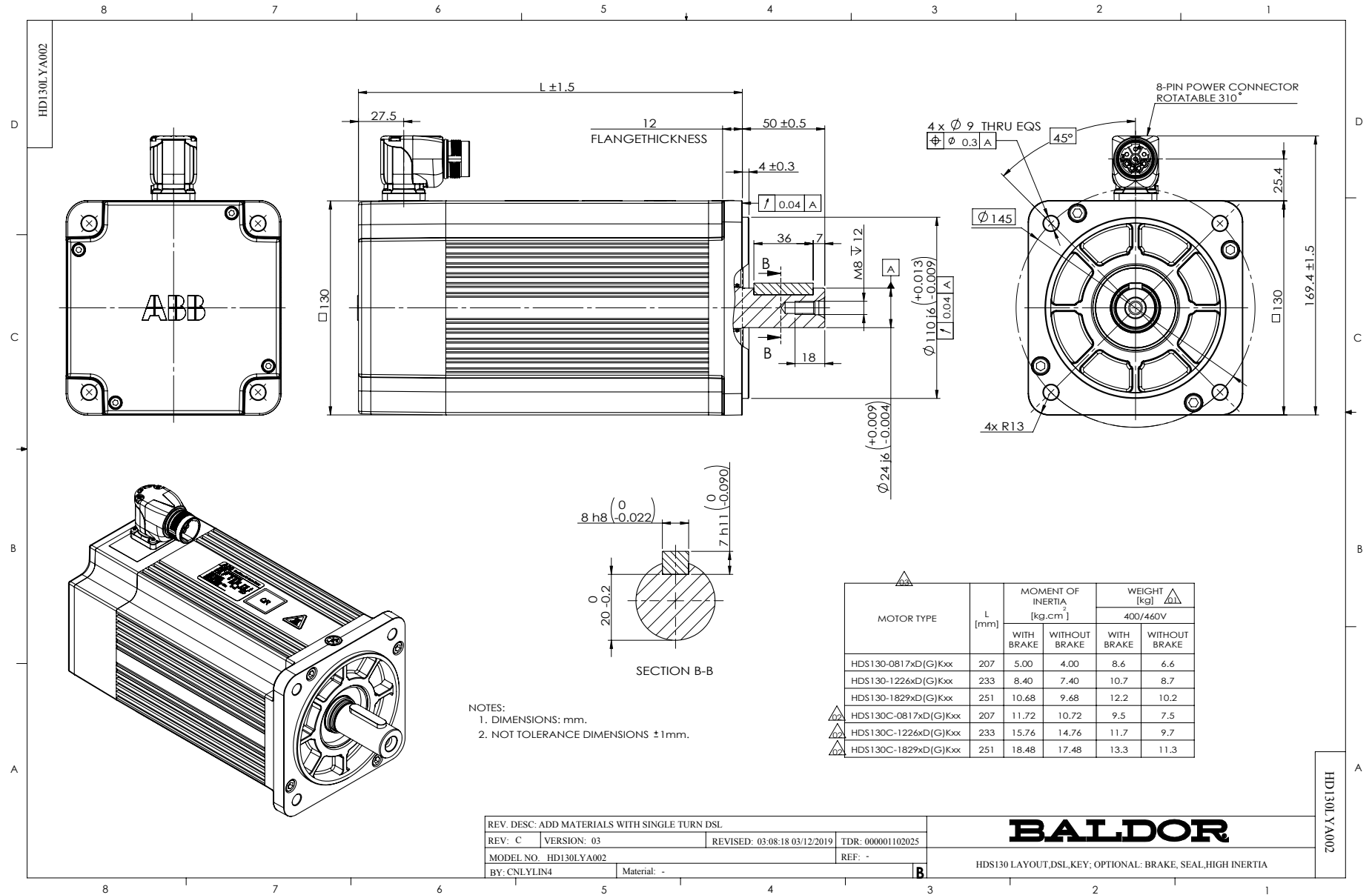
<b>Revision</b>	G
<b>Type</b>	
<b>Mech. spec.</b>	
<b>Base</b>	
<b>Status</b>	PRD/A
<b>Elec. spec.</b>	
<b>Layout</b>	HD130LYA002
<b>Eff. date</b>	11-13-2018
<b>CD Diagram</b>	
<b>Poles</b>	
<b>Leads</b>	
<b>Proprietary</b>	False
<b>Created date</b>	08-15-2017

**Nameplate**

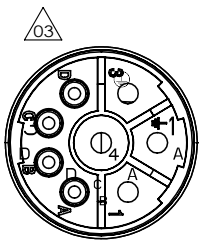
---

<b>LB1577T01</b>									
<b>MODEL:</b>	HDS130-1829CGKNN								
<b>PN</b>	2.9	<b>KW</b>	<b>TO</b>	18.0	<b>N.M</b>	<b>IO</b>	13	<b>A</b>	
<b>U</b>	460	<b>V</b>	<b>TP</b>	54.0	<b>N.M</b>	<b>IP</b>	42.0	<b>A</b>	
<b>NN/N MAX</b>	1500/4000		<b>RPM</b>	3XPTC130					
<b>FBK</b>	S.DSL		<b>IP</b>	IP54	<b>INS F</b>				
<b>BRK:</b>	VDC/		<b>N.M</b>						
<b>S/N</b>									

---



CD2167A02

MOTOR & BRAKE & DSL ENCODER & PTC LEADS			
	PIN	FUNCTION	COLOR
 <p>WD1456A26 (PLUG SIDE)</p>	1	V (S) U (R)	RED BLACK <span style="float: right;">△02</span>
	2	GROUND (PE)	YELLOW/GREEN
	3	U (R) W (T)	BLACK BLUE <span style="float: right;">△02</span>
	4	W (T) V (S)	BLUE RED
	A	+U <sub>s</sub> /DSL+/PTC	GRAY
	B	BRAKE GND/DSL-/PTC	RED GREEN <span style="float: right;">△02</span>
	C	BRAKE	BLUE RED
	D	GND/DSL-/PTC BRAKE	GREEN BLUE <span style="float: right;">△02</span>

REV. DESC: ENGINEERING CHANGE			
REV: C	VERSION: 03	REVISED: 03:56:22 03/04/2024	TDR: 000001227267
CD2167A02	MODEL NO. CD2167A02		REF: -
	BY: CNCONIE	Material: -	

**BALDOR**

CONNECTION DIAGRAM, POWER & DSL

CD2167A02