

BALDOR • RELIANCE

Customer information packet

HDS130-1829BSKNN

HDS130-1829BSKNN, SMART-ABS ENCODER, KEY

Specifications

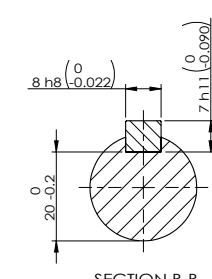
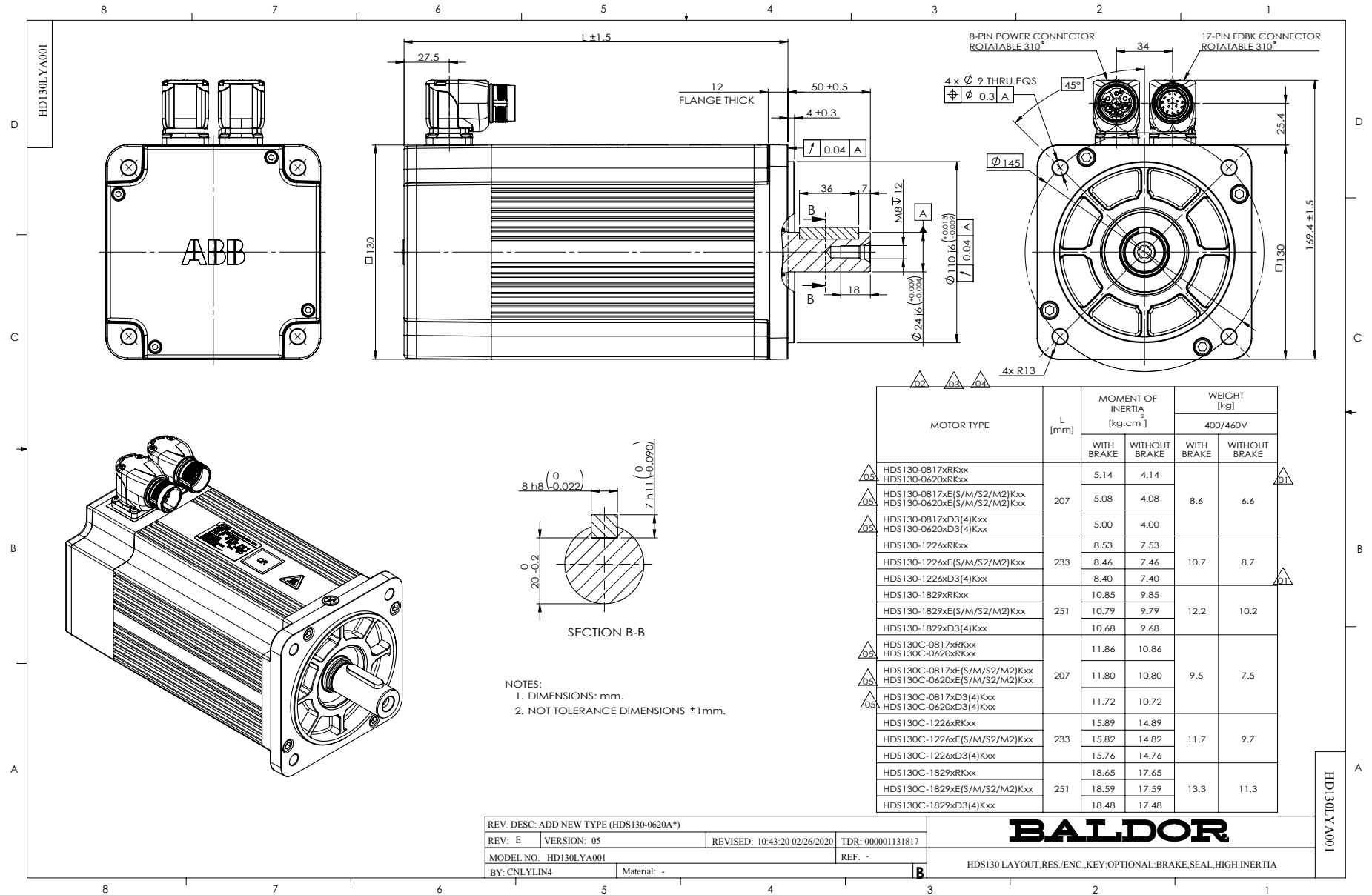
Bearing Grease Type	Polyrex EM
Dimensional Drawing Numbers	HD130LYA001
Nameplate Amps	14.5

Part detail

Revision	F
Type	
Mech. spec.	
Base	
Status	PRD/A
Elec. spec.	
Layout	HD130LYA001
Eff. date	04-09-2018
CD Diagram	
Poles	
Leads	
Proprietary	False
Created date	08-15-2017

Nameplate**LB1577T01**

MODEL:	HDS130-1829BSKNN								
PN	2.9	KW	TO	18.0	N.M	IO	14.5	A	
U	400	V	TP	54.0	N.M	IP	48.0	A	
NN/N MAX	1500/4000		RPM	3XPTC130					
FBK	S.ABS		IP	IP54	INS F				
BRK:	VDC/		N.M						
S/N									



NOTES:
 1. DIMENSIONS: mm.
 2. NOT TOLERANCE DIMENSIONS ± 1 mm.

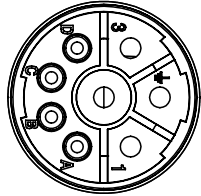
MOTOR TYPE	L [mm]	MOMENT OF INERTIA [kg.cm ²]		WEIGHT [kg]	
		WITH BRAKE	WITHOUT BRAKE	WITH BRAKE	WITHOUT BRAKE
HDS130-0817xRKxx HDS130-0620xRKxx	207	5.14	4.14		
HDS130-0817xE(S/M/S2/M2)Kxx HDS130-0620xE(S/M/S2/M2)Kxx		5.08	4.08	8.6	6.6
HDS130-0817xD3(4)Kxx HDS130-0620xD3(4)Kxx	251	5.00	4.00		
HDS130-1226xRKxx HDS130-1226xE(S/M/S2/M2)Kxx HDS130-1226xD3(4)Kxx		8.53	7.53	10.7	8.7
HDS130-1829xRKxx HDS130-1829xE(S/M/S2/M2)Kxx HDS130-1829xD3(4)Kxx	251	10.85	9.85		
HDS130C-0817xRKxx HDS130C-0620xRKxx		10.79	9.79	12.2	10.2
HDS130C-0817xE(S/M/S2/M2)Kxx HDS130C-0620xE(S/M/S2/M2)Kxx	207	10.68	9.68		
HDS130C-0817xD3(4)Kxx HDS130C-0620xD3(4)Kxx		11.86	10.86	9.5	7.5
HDS130C-1226xRKxx HDS130C-1226xE(S/M/S2/M2)Kxx HDS130C-1226xD3(4)Kxx	233	11.72	10.72		
HDS130C-1829xRKxx HDS130C-1829xE(S/M/S2/M2)Kxx HDS130C-1829xD3(4)Kxx		15.89	14.89	11.7	9.7
	251	15.82	14.82		
		15.76	14.76	13.3	11.3
	251	18.65	17.65		
		18.59	17.59		
	251	18.48	17.48		

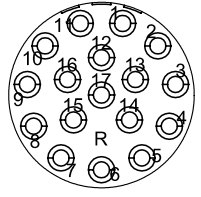
REV. DESC: ADD NEW TYPE (HDS130-0620A*)
 REV: E VERSION: 05 REVISED: 10.43.20 02/26/2020 TDR: 000001131817
 MODEL NO. HD130LYA001 REF: -
 BY: CNLYLIN4 Material: -

BALDOR

HDS130 LAYOUT, RES./ENC./KEY/OPTIONAL: BRAKE, SEAL, HIGH INERTIA

CD2167A04

MOTOR & BRAKE LEADS			
 <p>WD1456A26 (INSERTION SIDE)</p>	PIN	FUNCTION	COLOR
	1	U (R)	BLACK
	2	GROUND (PE)	YELLOW/GREEN
	3	W (T)	BLUE
	4	V (S)	RED
	A	PTC	BLUE BLACK
	B	PTC	BLUE
	C	BRAKE	RED
	D	BRAKE	BLUE

SMART-ABS ENCODER LEADS			
 <p>WD1456A21 (INSECTION SIDE)</p>	PIN	FUNCTION	COLOR
	1	VCC	RED
	2	GND	BLACK
	3	VB	BROWN
	4	GND	BROWN/BLACK
	5	SD	BLUE
	6	$\overline{\text{SD}}$	BLUE/BLACK
	7	CASE GND	GRAY
	8~17		

REV. DESC: ENGINEERING CHANGE			
REV: E	VERSION: 05	REVISED: 04:28:49 03/04/2024	TDR: 000001227267
CD2167A04	MODEL NO. CD2167A04		REF: -
	BY: CNCONIE	Material: -	

BALDOR

CONNECTION DIAGRAM, POWER & SMART-ABS ENCODER

CD2167A04