

**BALDOR • RELIANCE**

---

# Customer information packet

## HDS130-1829BRKNN

HDS130-1829BRKNN, RESOLVER, KEY

**Specifications**

<b>Bearing Grease Type</b>	Polyrex EM
<b>Dimensional Drawing Numbers</b>	HD130LYA001
<b>Nameplate Amps</b>	14.5

**Part detail**

<b>Revision</b>	F
<b>Type</b>	
<b>Mech. spec.</b>	
<b>Base</b>	
<b>Status</b>	PRD/A
<b>Elec. spec.</b>	
<b>Layout</b>	HD130LYA001
<b>Eff. date</b>	04-09-2018
<b>CD Diagram</b>	
<b>Poles</b>	
<b>Leads</b>	
<b>Proprietary</b>	False
<b>Created date</b>	08-15-2017

**Nameplate**

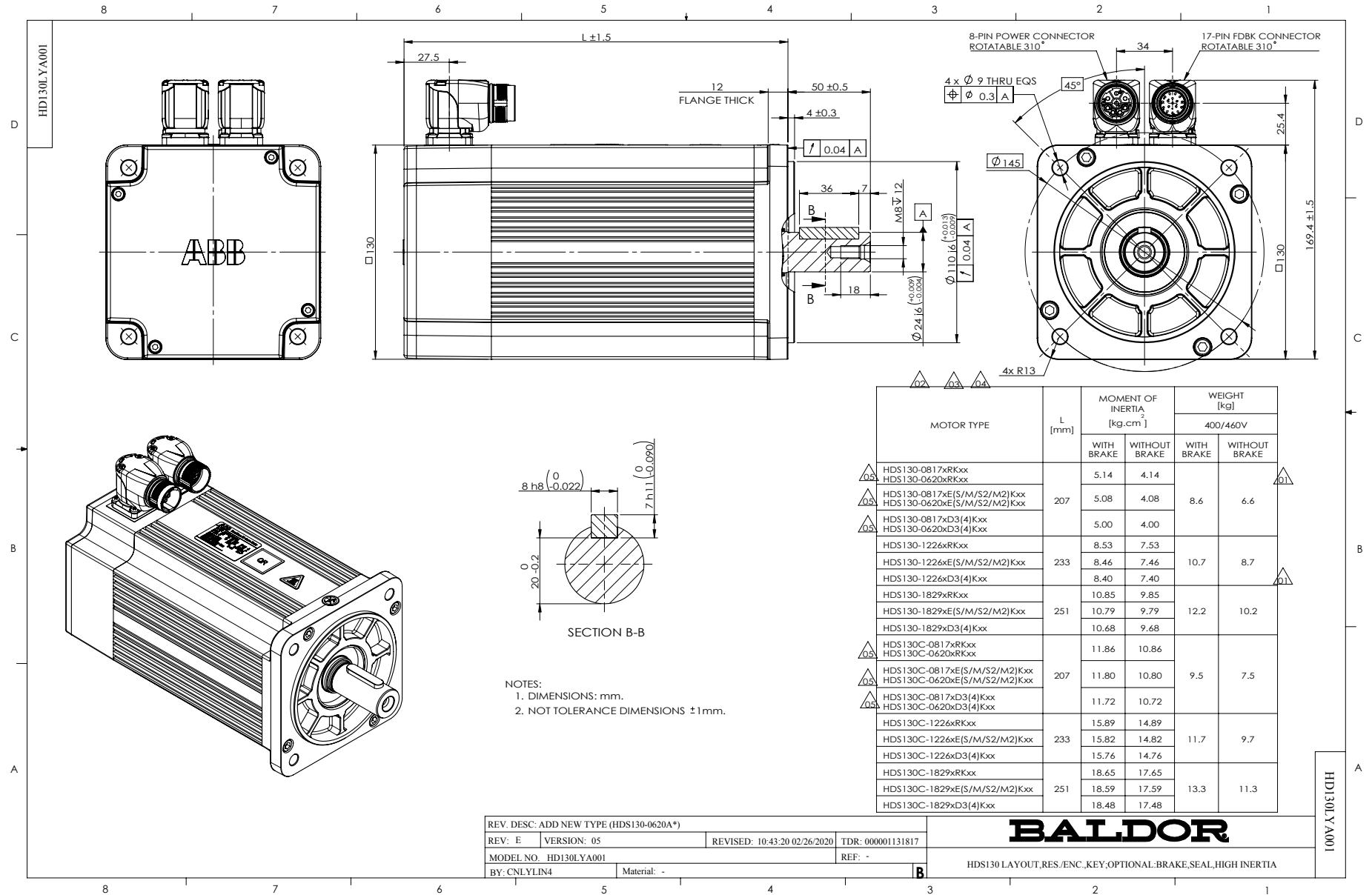
---

**LB1577T01**

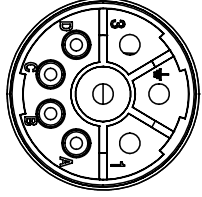
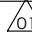
---

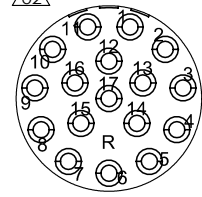
<b>MODEL:</b>	HDS130-1829BRKNN								
<b>PN</b>	2.9	<b>KW</b>	<b>TO</b>	18.0	<b>N.M</b>	<b>IO</b>	14.5	<b>A</b>	
<b>U</b>	400	<b>V</b>	<b>TP</b>	54.0	<b>N.M</b>	<b>IP</b>	48.0	<b>A</b>	
<b>NN/N MAX</b>	1500/4000		<b>RPM</b>	3XPTC130					
<b>FBK</b>	RES		<b>IP</b>	IP54	<b>INS F</b>				
<b>BRK:</b>		<b>VDC/</b>		<b>N.M</b>					
<b>S/N</b>									

---



CD2167A09

MOTOR & BRAKE & PTC LEADS			
 WD1456A26 (PLUG SIDE)	PIN	FUNCTION	COLOR
	1	U (R)	BLACK
	2	GROUND (PE)	YELLOW/GREEN
	3	W (T)	BLUE
	4	V (S)	RED
	A	PTC 	BLUE BLACK
	B	PTC	BLUE
	C	BRAKE	RED
	D	BRAKE	BLUE

RESOLVER LEADS			
 WD1456A21 (PLUG SIDE)	PIN	FUNCTION	COLOR
	1	R1 (REF+)	RED/WHITE
	2	R2 (REF-)	YELLOW/WHITE
	3	S1 (COS+)	RED
	4	S3 (COS-)	BLACK
	5	S4 (SIN-)	BLUE
	6	S2 (SIN+)	YELLOW
	7~17	-	-

REV. DESC: ENGINEERING CHANGE			
REV: B	VERSION: 02	REVISED: 04:41:51 03/04/2024	TDR: 000001227267
60A71DC CD2167A09	MODEL NO. CD2167A09		REF: -
	BY: CNCONIE	Material: -	

**BALDOR**

CONNECTION DIAGRAM, POWER & RESOLVER

CD2167A09