

**BALDOR • RELIANCE**

---

# Customer information packet

## HDS130-1829BEKNN

HDS130-1829BEKNN, INCR.ENCODER, KEY

**Specifications**

<b>Bearing Grease Type</b>	Polyrex EM
<b>Dimensional Drawing Numbers</b>	HD130LYA001
<b>Nameplate Amps</b>	14.5

**Part detail**

<b>Revision</b>	F
<b>Type</b>	
<b>Mech. spec.</b>	
<b>Base</b>	
<b>Status</b>	PRD/A
<b>Elec. spec.</b>	
<b>Layout</b>	HD130LYA001
<b>Eff. date</b>	04-09-2018
<b>CD Diagram</b>	
<b>Poles</b>	
<b>Leads</b>	
<b>Proprietary</b>	False
<b>Created date</b>	08-15-2017

**Nameplate**

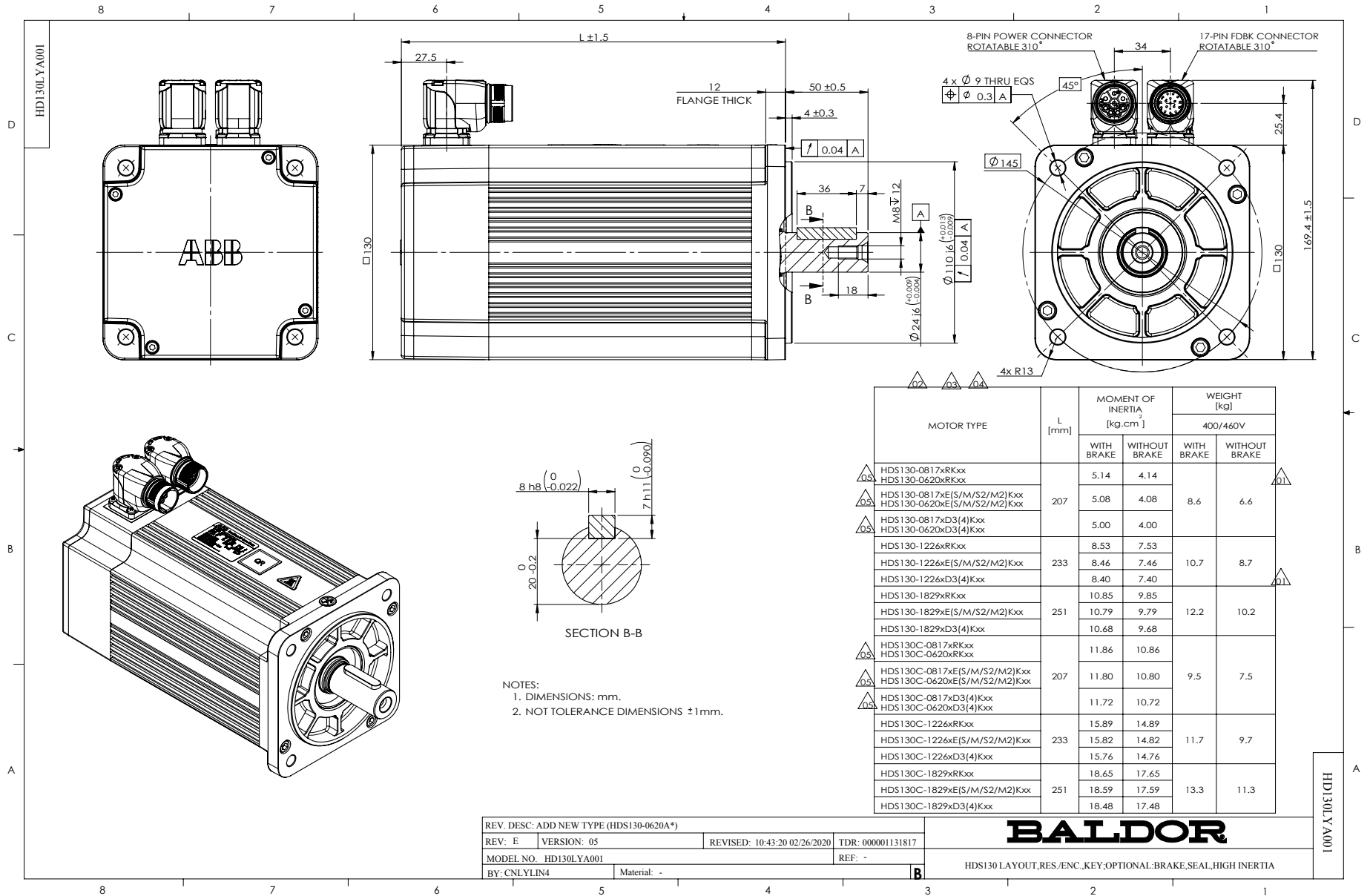
---

**LB1577T01**

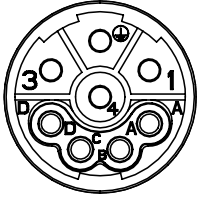
---

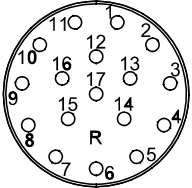
<b>MODEL:</b>	HDS130-1829BEKNN								
<b>PN</b>	2.9	<b>KW</b>	<b>TO</b>	18.0	<b>N.M</b>	<b>IO</b>	14.5	<b>A</b>	
<b>U</b>	400	<b>V</b>	<b>TP</b>	54.0	<b>N.M</b>	<b>IP</b>	48.0	<b>A</b>	
<b>NN/N MAX</b>	1500/4000		<b>RPM</b>	3XPTC130					
<b>FBK</b>	ENC		<b>IP</b>	IP54		<b>INS F</b>			
<b>BRK:</b>	VDC/		N.M						
<b>S/N</b>									

---



CD2167A03

MOTOR & BRAKE & PTC LEADS			
 <p>WD1456A04 (PLUG SIDE)</p>	PIN	FUNCTION	COLOR
	1	U (R)	BLACK
	2	GROUND (PE)	YELLOW/GREEN
	3	W (T)	BLUE
	4	V (S)	RED
	A	PTC	BLUE BLACK
	B	PTC	BLUE
	C	BRAKE	RED
	D	BRAKE	BLUE

INCREMENTAL ENCODER LEADS						
 <p>WD1456A06 (PLUG SIDE)</p>	PIN	FUNCTION	COLOR	PIN	FUNCTION	COLOR
	1	DC+5V	RED	10	U	BROWN
	2	GND	BLACK	11	$\bar{U}$	BROWN/BLACK
	3	A	BLUE	12	V	GRAY
	4	$\bar{A}$	BLUE/BLACK	13	$\bar{V}$	GRAY/BLACK
	5	B	GREEN	14	W	WHITE
	6	$\bar{B}$	GREEN/BLACK	15	$\bar{W}$	WHITE/BLACK
	7	Z	YELLOW	16	-	-
	8	$\bar{Z}$	YELLOW/BLACK	17		
	9	-	-			

REV. DESC: CORRECTED PTC THERMISTER LEAD COLOR

REV: C    VERSION: 03    REVISED: 08:59:39 06/23/2017    TDR: 000001025915

CD2167A03

MODEL NO. CD2167A03

REF: -

BY: CNSESU2

Material: -

**BALDOR**

CONNECTION DIAGRAM, POWER & INC. ENCODER

CD2167A03