

BALDOR® • RELIANCE®

Customer information packet

HDS130-1226CSKNN

HDS130-1226CSKNN, SMART-ABS ENCODER, KEY

Specifications

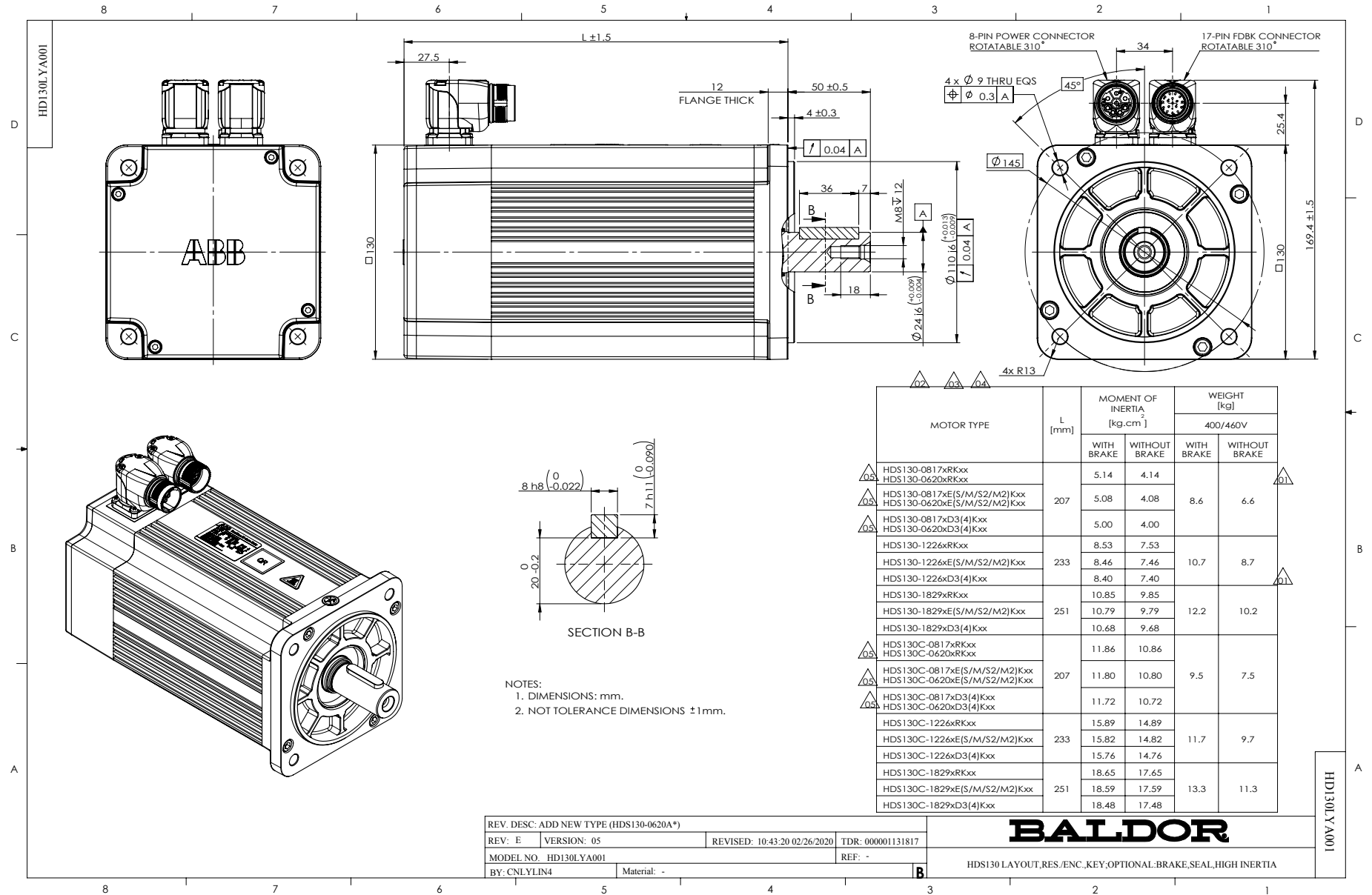
Bearing Grease Type	Polyrex EM
Dimensional Drawing Numbers	HD130LYA001
Nameplate Amps	8.0

Part detail

Revision	F
Type	
Mech. spec.	
Base	
Status	PRD/A
Elec. spec.	
Layout	HD130LYA001
Eff. date	04-09-2018
CD Diagram	
Poles	
Leads	
Proprietary	False
Created date	08-15-2017

Nameplate

LB1577T01									
MODEL:	HDS130-1226CSKNN								
PN	2.6	KW	TO	12.0	N.M	IO	8.0	A	
U	460	V	TP	36.0	N.M	IP	26.0	A	
NN/N MAX	2000/4000		RPM	3XPTC130					
FBK	S.ABS		IP	IP54	INS F				
BRK:	VDC/		N.M						
S/N									



MOTOR TYPE	L [mm]	MOMENT OF INERTIA [kg.cm ²]		WEIGHT [kg]	
		WITH BRAKE	WITHOUT BRAKE	WITH BRAKE	WITHOUT BRAKE
HDS130-0817xRKxx HDS130-0620xRKxx	207	5.14	4.14		
HDS130-0817xE(S/M/S2/M2)Kxx HDS130-0620xE(S/M/S2/M2)Kxx		5.08	4.08	8.6	6.6
HDS130-0817xD3(4)Kxx HDS130-0620xD3(4)Kxx	251	5.00	4.00		
HDS130-1226xRKxx		8.53	7.53		
HDS130-1226xE(S/M/S2/M2)Kxx HDS130-1226xD3(4)Kxx	233	8.46	7.46	10.7	8.7
HDS130-1829xRKxx		10.85	9.85		
HDS130-1829xE(S/M/S2/M2)Kxx HDS130-1829xD3(4)Kxx	251	10.79	9.79	12.2	10.2
HDS130C-0817xRKxx HDS130C-0620xRKxx		11.86	10.86		
HDS130C-0817xE(S/M/S2/M2)Kxx HDS130C-0620xE(S/M/S2/M2)Kxx	207	11.80	10.80	9.5	7.5
HDS130C-0817xD3(4)Kxx HDS130C-0620xD3(4)Kxx		11.72	10.72		
HDS130C-1226xRKxx	233	15.89	14.89		
HDS130C-1226xE(S/M/S2/M2)Kxx HDS130C-1226xD3(4)Kxx		15.82	14.82	11.7	9.7
HDS130C-1829xRKxx		18.65	17.65		
HDS130C-1829xE(S/M/S2/M2)Kxx HDS130C-1829xD3(4)Kxx	251	18.59	17.59	13.3	11.3
		18.48	17.48		

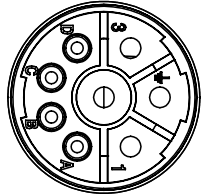
NOTES:
 1. DIMENSIONS: mm.
 2. NOT TOLERANCE DIMENSIONS ±1mm.

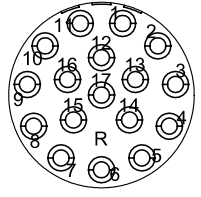
REV. DESC: ADD NEW TYPE (HDS130-0620A*)			TDR: 000001131817	
REV: E	VERSION: 05	REVISED: 10.43.20 02/26/2020		
MODEL NO. HD130LYA001		REF: -		
BY: CNLYLIN4	Material: -			

BALDOR

HDS130 LAYOUT, RES./ENC./KEY/OPTIONAL: BRAKE, SEAL, HIGH INERTIA

CD2167A04

MOTOR & BRAKE LEADS			
 <p>WD1456A26 (INSERTION SIDE)</p>	PIN	FUNCTION	COLOR
	1	U (R)	BLACK
	2	GROUND (PE)	YELLOW/GREEN
	3	W (T)	BLUE
	4	V (S)	RED
	A	PTC	BLUE BLACK
	B	PTC	BLUE
	C	BRAKE	RED
D	BRAKE	BLUE	

SMART-ABS ENCODER LEADS			
 <p>WD1456A21 (INSECTION SIDE)</p>	PIN	FUNCTION	COLOR
	1	VCC	RED
	2	GND	BLACK
	3	VB	BROWN
	4	GND	BROWN/BLACK
	5	SD	BLUE
	6	\overline{SD}	BLUE/BLACK
	7	CASE GND	GRAY
8-17			

REV. DESC: ENGINEERING CHANGE			
REV: E	VERSION: 05	REVISED: 04:28:49 03/04/2024	TDR: 000001227267
CD2167A04	MODEL NO. CD2167A04		REF: -
	BY: CNCONIE	Material: -	

BALDOR

CONNECTION DIAGRAM, POWER & SMART-ABS ENCODER

CD2167A04