

BALDOR • RELIANCE

Customer information packet

HDS130-1226BSKNN

HDS130-1226BSKNN, SMART-ABS ENCODER, KEY

Specifications

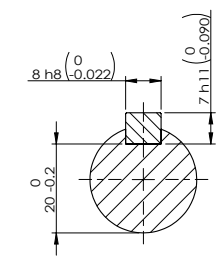
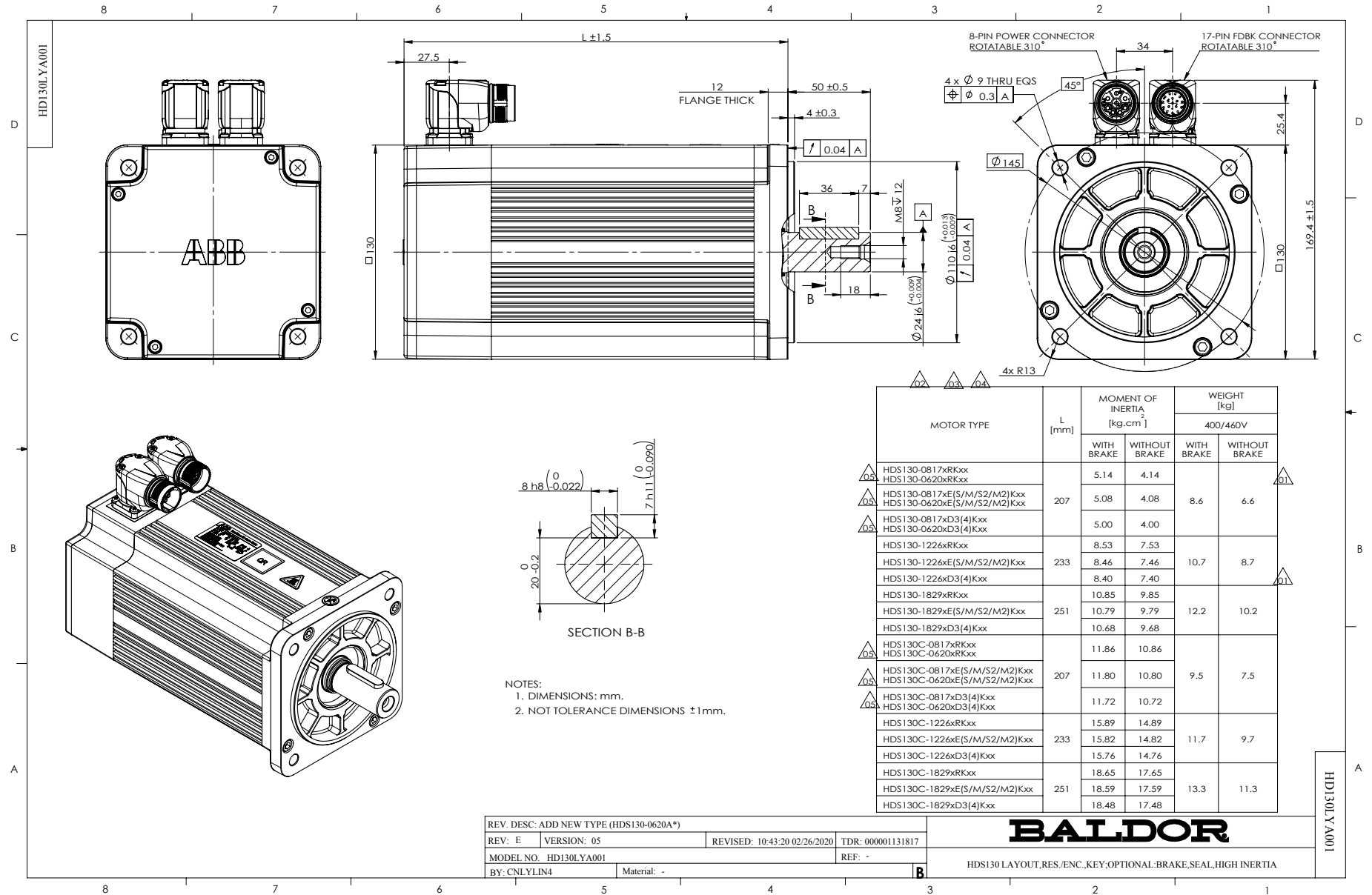
Bearing Grease Type	Polyrex EM
Dimensional Drawing Numbers	HD130LYA001
Nameplate Amps	9.2

Part detail

Revision	G
Type	
Mech. spec.	
Base	
Status	PRD/A
Elec. spec.	
Layout	HD130LYA001
Eff. date	08-16-2018
CD Diagram	
Poles	
Leads	
Proprietary	False
Created date	08-09-2017

Nameplate

LB1577T01									
MODEL:	HDS130-1226BSKNN								
PN	2.6	KW	TO	12.0	N.M	IO	9.2	A	
U	400	V	TP	36.0	N.M	IP	30.0	A	
NN/N MAX	2000/4000		RPM	3XPTC130					
FBK	ENC		IP	IP54	INS F				
BRK:	VDC/		N.M						
S/N									



NOTES:
 1. DIMENSIONS: mm.
 2. NOT TOLERANCE DIMENSIONS ± 1mm.

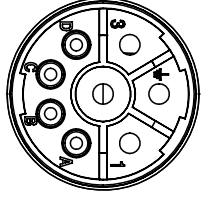
MOTOR TYPE	L [mm]	MOMENT OF INERTIA [kg·cm ²]		WEIGHT [kg]	
		WITH BRAKE	WITHOUT BRAKE	WITH BRAKE	WITHOUT BRAKE
HDS130-0817xRKxx HDS130-0620xRKxx	207	5.14	4.14		
HDS130-0817xE(S/M/S2/M2)Kxx HDS130-0620xE(S/M/S2/M2)Kxx		5.08	4.08	8.6	6.6
HDS130-0817xD3(4)Kxx HDS130-0620xD3(4)Kxx	251	5.00	4.00		
HDS130-1226xRKxx HDS130-1226xE(S/M/S2/M2)Kxx HDS130-1226xD3(4)Kxx		8.53	7.53	10.7	8.7
HDS130-1829xRKxx HDS130-1829xE(S/M/S2/M2)Kxx HDS130-1829xD3(4)Kxx	251	10.85	9.85		
HDS130C-0817xRKxx HDS130C-0620xRKxx		10.79	9.79	12.2	10.2
HDS130C-0817xE(S/M/S2/M2)Kxx HDS130C-0620xE(S/M/S2/M2)Kxx	207	10.68	9.68		
HDS130C-0817xD3(4)Kxx HDS130C-0620xD3(4)Kxx		11.86	10.86	9.5	7.5
HDS130C-1226xRKxx HDS130C-1226xE(S/M/S2/M2)Kxx HDS130C-1226xD3(4)Kxx	233	11.72	10.72		
HDS130C-1829xRKxx HDS130C-1829xE(S/M/S2/M2)Kxx HDS130C-1829xD3(4)Kxx		15.89	14.89	11.7	9.7
	251	15.82	14.82		
		15.76	14.76	13.3	11.3
	251	18.65	17.65		
		18.59	17.59		
	251	18.48	17.48		

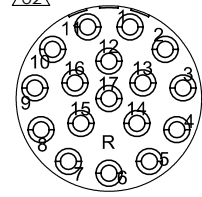
REV. DESC: ADD NEW TYPE (HDS130-0620A*)			TDR: 000001131817	
REV: E	VERSION: 05	REVISED: 10:43:20 02/26/2020		
MODEL NO. HD130LYA001		REF: -		
BY: CNLYLIN4	Material: -			

BALDOR

HDS130 LAYOUT, RES./ENC./KEY/OPTIONAL: BRAKE, SEAL, HIGH INERTIA

CD2167A09

MOTOR & BRAKE & PTC LEADS			
 WD1456A26 (PLUG SIDE)	PIN	FUNCTION	COLOR
	1	U (R)	BLACK
	2	GROUND (PE)	YELLOW/GREEN
	3	W (T)	BLUE
	4	V (S)	RED
	A	PTC	BLUE BLACK
	B	PTC	BLUE
	C	BRAKE	RED
	D	BRAKE	BLUE

RESOLVER LEADS			
 WD1456A21 (PLUG SIDE)	PIN	FUNCTION	COLOR
	1	R1 (REF+)	RED/WHITE
	2	R2 (REF-)	YELLOW/WHITE
	3	S1 (COS+)	RED
	4	S3 (COS-)	BLACK
	5	S4 (SIN-)	BLUE
	6	S2 (SIN+)	YELLOW
	7~17	-	-

REV. DESC: ENGINEERING CHANGE			
REV: B	VERSION: 02	REVISED: 04:41:51 03/04/2024	TDR: 000001227267
60V71DC CD2167A09	MODEL NO. CD2167A09		REF: -
	BY: CNCONIE	Material: -	

BALDOR

CONNECTION DIAGRAM, POWER & RESOLVER

CD2167A09