

ABB BALDOR RELIANCE III

Customer information packet

HDS130-1226BRKNN

HDS130-1226BRKNN, RESOLVER, KEY

Specifications

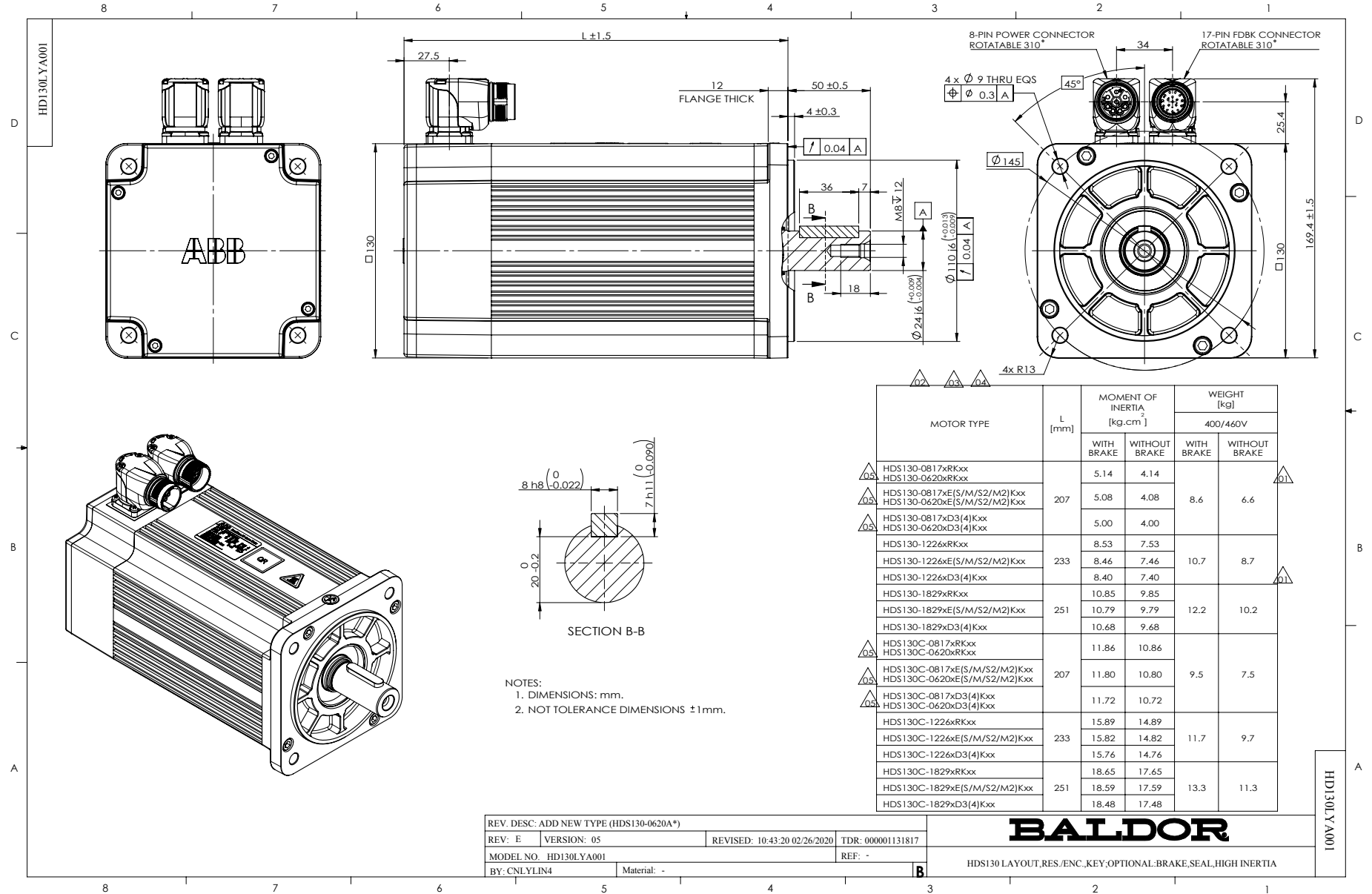
Bearing Grease Type	Polyrex EM
Dimensional Drawing Numbers	HD130LYA001
Nameplate Amps	9.2

Part Detail

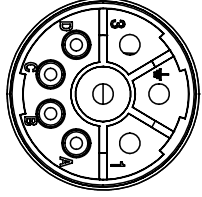
Revision	G
Type	
Mech. spec.	
Base	
Status	PRD/A
Elec. spec.	
Layout	HD130LYA001
Eff. date	02-03-2021
CD Diagram	
Poles	
Leads	
Proprietary	False
Created date	08-15-2017

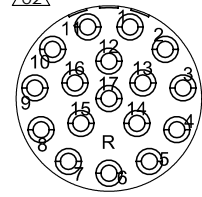
Nameplate

LB1577T01									
MODEL:	HDS130-1226BRKNN								
PN	2.6	KW	TO	12.0	N.M	IO	9.2	A	
U	400	V	TP	36.0	N.M	IP	30.0	A	
NN/N MAX	2000/4000		RPM	3XPTC130					
FBK	RES	IP	IP54	INS F					
BRK:	VDC/		N.M						
S/N									



CD2167A09

MOTOR & BRAKE & PTC LEADS			
 WD1456A26 (PLUG SIDE)	PIN	FUNCTION	COLOR
	1	U (R)	BLACK
	2	GROUND (PE)	YELLOW/GREEN
	3	W (T)	BLUE
	4	V (S)	RED
	A	PTC	BLUE BLACK
	B	PTC	BLUE
	C	BRAKE	RED
	D	BRAKE	BLUE

RESOLVER LEADS			
 WD1456A21 (PLUG SIDE)	PIN	FUNCTION	COLOR
	1	R1 (REF+)	RED/WHITE
	2	R2 (REF-)	YELLOW/WHITE
	3	S1 (COS+)	RED
	4	S3 (COS-)	BLACK
	5	S4 (SIN-)	BLUE
	6	S2 (SIN+)	YELLOW
	7~17	-	-

REV. DESC: ENGINEERING CHANGE			
REV: B	VERSION: 02	REVISED: 04:41:51 03/04/2024	TDR: 000001227267
60A7A09	MODEL NO. CD2167A09		REF: -
	BY: CNCONIE	Material: -	

BALDOR

CONNECTION DIAGRAM, POWER & RESOLVER

CD2167A09