

ABB BALDOR RELIANCE III

Customer information packet HDS130-1226BGKNN

HDS130-1226BGKNN, DSL ENCODER SINGLE TURN

Specifications

| | |
|------------------------------------|-------------|
| Bearing Grease Type | Polyrex EM |
| Dimensional Drawing Numbers | HD130LYA001 |
| Nameplate Amps | 9.2 |

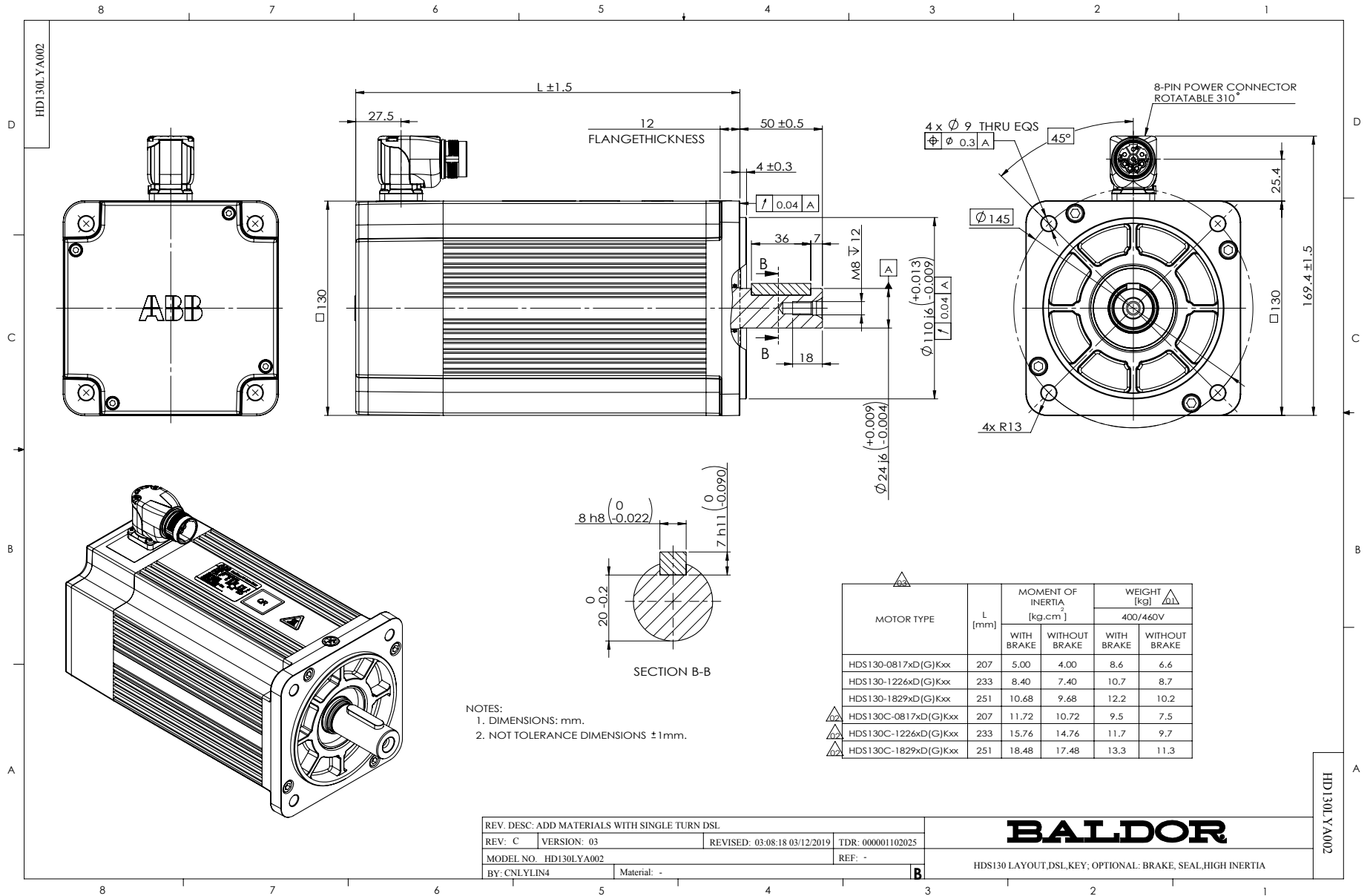
Part Detail

| | |
|---------------------|-------------|
| Revision | H |
| Type | |
| Mech. spec. | |
| Base | |
| Status | PRD/A |
| Elec. spec. | |
| Layout | HD130LYA002 |
| Eff. date | 01-21-2019 |
| CD Diagram | |
| Poles | |
| Leads | |
| Proprietary | False |
| Created date | 08-09-2017 |

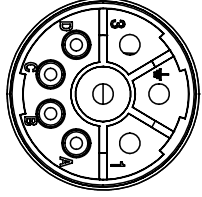
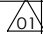
Nameplate

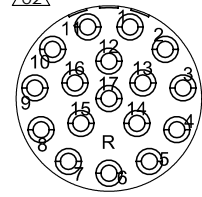
LB1577T01

| | | | | | | | | | | |
|-----------------|------------------|-----------|------------|-----------------|--------------|-----------|------|----------|--|--|
| MODEL: | HDS130-1226BGKNN | | | | | | | | | |
| PN | 2.6 | KW | TO | 12.0 | N.M | IO | 9.2 | A | | |
| U | 400 | V | TP | 36.0 | N.M | IP | 30.0 | A | | |
| NN/N MAX | 2000/4000 | | RPM | 3XPTC130 | | | | | | |
| FBK | S.DSL | | IP | IP54 | INS F | | | | | |
| BRK: | VDC/ | | N.M | | | | | | | |
| S/N | | | | | | | | | | |



CD2167A09

| MOTOR & BRAKE & PTC LEADS | | | |
|---|-----|---|--------------|
|  WD1456A26 (PLUG SIDE) | PIN | FUNCTION | COLOR |
| | 1 | U (R) | BLACK |
| | 2 | GROUND (PE) | YELLOW/GREEN |
| | 3 | W (T) | BLUE |
| | 4 | V (S) | RED |
| | A | PTC  | BLUE BLACK |
| | B | PTC | BLUE |
| | C | BRAKE | RED |
| | D | BRAKE | BLUE |

| RESOLVER LEADS | | | |
|--|------|-----------|--------------|
|  WD1456A21 (PLUG SIDE) | PIN | FUNCTION | COLOR |
| | 1 | R1 (REF+) | RED/WHITE |
| | 2 | R2 (REF-) | YELLOW/WHITE |
| | 3 | S1 (COS+) | RED |
| | 4 | S3 (COS-) | BLACK |
| | 5 | S4 (SIN-) | BLUE |
| | 6 | S2 (SIN+) | YELLOW |
| | 7~17 | - | - |

| | | | |
|-------------------------------|---------------------|------------------------------|-------------------|
| REV. DESC: ENGINEERING CHANGE | | | |
| REV: B | VERSION: 02 | REVISED: 04:41:51 03/04/2024 | TDR: 000001227267 |
| 60A71DC | MODEL NO. CD2167A09 | | REF: - |
| | BY: CNCONIE | Material: - | |

BALDOR

CONNECTION DIAGRAM, POWER & RESOLVER

CD2167A09