

**BALDOR® • RELIANCE®**

---

# Customer information packet

## HDS130-0817CSKNN

HDS130-0817CSKNN, SMART-ABS ENCODER, KEY

**Specifications**

<b>Bearing Grease Type</b>	Polyrex EM
<b>Dimensional Drawing Numbers</b>	HD130LYA001
<b>Nameplate Amps</b>	6.2

**Part detail**

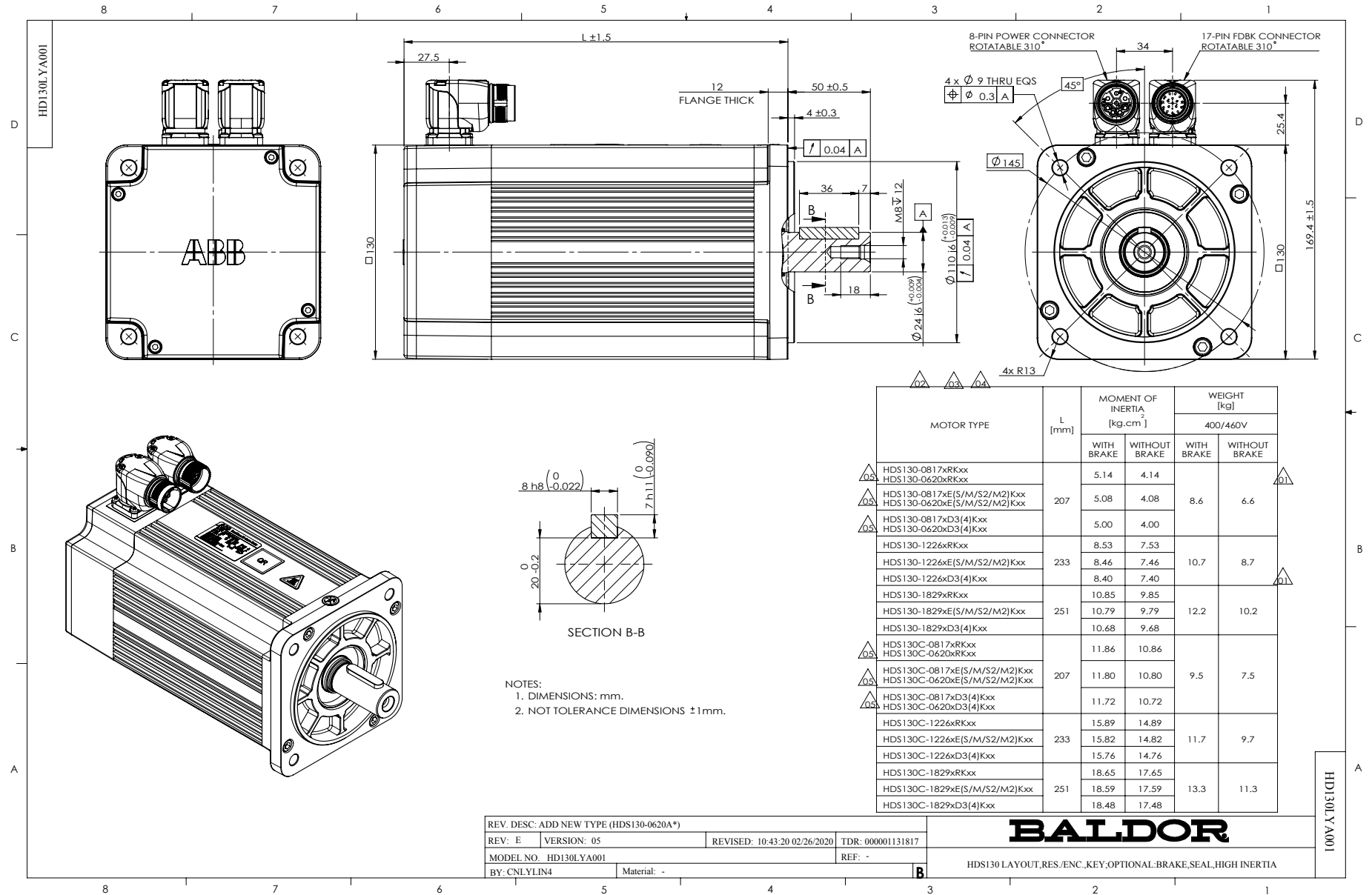
<b>Revision</b>	F
<b>Type</b>	
<b>Mech. spec.</b>	
<b>Base</b>	
<b>Status</b>	PRD/A
<b>Elec. spec.</b>	
<b>Layout</b>	HD130LYA001
<b>Eff. date</b>	04-09-2018
<b>CD Diagram</b>	
<b>Poles</b>	
<b>Leads</b>	
<b>Proprietary</b>	False
<b>Created date</b>	08-15-2017

**Nameplate**

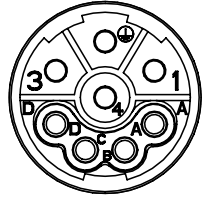
---

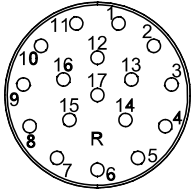
<b>LB1577T01</b>									
<b>MODEL:</b>	HDS130-0817CSKNN								
<b>PN</b>	1.7	<b>KW</b>	<b>TO</b>	8.0	<b>N.M</b>	<b>IO</b>	6.2	<b>A</b>	
<b>U</b>	460	<b>V</b>	<b>TP</b>	24.0	<b>N.M</b>	<b>IP</b>	23.0	<b>A</b>	
<b>NN/N MAX</b>	2000/4000		<b>RPM</b>	3XPTC130					
<b>FBK</b>	S.ABS		<b>IP</b>	IP54	<b>INS F</b>				
<b>BRK:</b>	VDC/		<b>N.M</b>						
<b>S/N</b>									

---



CD2167A04

MOTOR & BRAKE LEADS <sup>02</sup>			
 <p>WD1456A06 (INSERTION SIDE)</p>	PIN	FUNCTION	COLOR
	1	U (R)	BLACK
	2	GROUND (PE)	YELLOW/GREEN
	3	W (T)	BLUE
	4	V (S)	RED
	A	PTC <sup>03</sup>	BLUE BLACK
	B	PTC	BLUE
	C	BRAKE	RED
	D	BRAKE	BLUE

SMART-ABS ENCODER LEA			
 <p>WD1456A04 (INSECTION SIDE)</p>	PIN	FUNCTION	COLOR
	1	VCC <sup>02</sup>	RED
	2	GND	BLACK
	3	VB	BROWN
	4	GND	BROWN/BLACK
	5	SD	BLUE
	6	$\overline{\text{SD}}$	BLUE/BLACK
	7	CASE GND <sup>04</sup>	GRAY
	8-17		

REV. DESC: ADDITION ENCODER CASE GND PIN DEFINITION

REV: D    VERSION: 04    REVISED: 09:33:52 08/10/2017    TDR: 000001038809

CD2167A04

MODEL NO. CD2167A04

REF: -

BY: CNSESU2

Material: -

**BALDOR**

CONNECTION DIAGRAM, POWER & SMART-ABS ENCODER

CD2167A04