

BALDOR® • RELIANCE®

Customer information packet

HDS130-0817BGKNN

HDS130-0817B W/ABSOLUTE SINGL-TURN (DSL)

Specifications

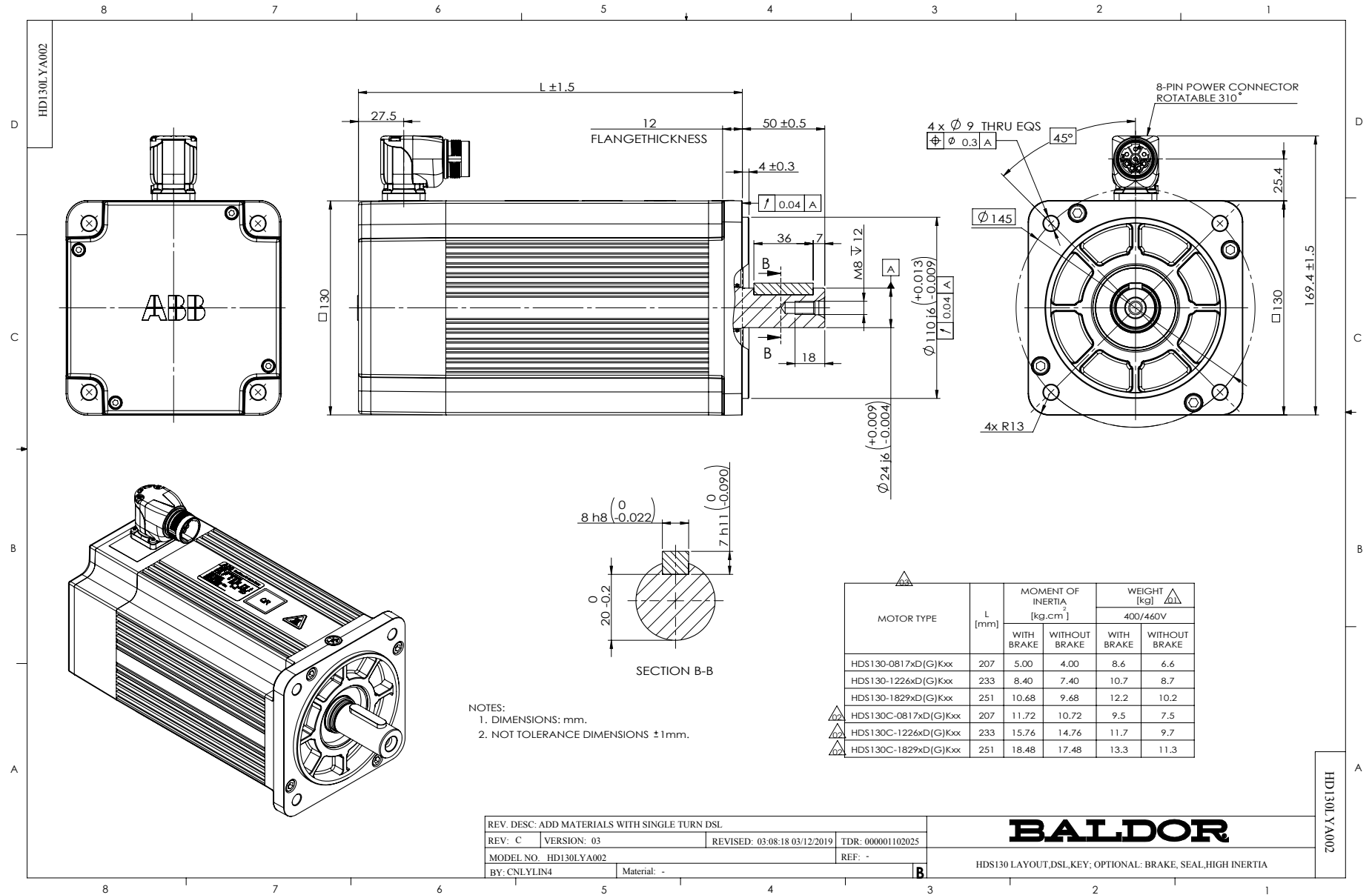
Bearing Grease Type	Polyrex EM
Dimensional Drawing Numbers	HD130LYA002
Nameplate Amps	8

Part detail

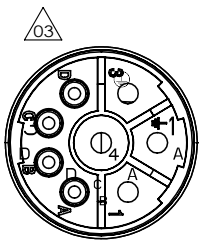
Revision	G
Type	
Mech. spec.	
Base	
Status	PRD/A
Elec. spec.	
Layout	HD130LYA002
Eff. date	11-13-2018
CD Diagram	
Poles	
Leads	
Proprietary	False
Created date	08-15-2017

Nameplate

LB1577T01									
MODEL:	HDS130-0817BGKNN								
PN	1.7	KW	TO	8.0	N.M	IO	8	A	
U	400	V	TP	24.0	N.M	IP	27.0	A	
NN/N MAX	2000/4000		RPM	3XPTC130					
FBK	S.DSL		IP	IP54	INS F				
BRK:	VDC/		N.M						
S/N									



CD2167A02

MOTOR & BRAKE & DSL ENCODER & PTC LEADS			
	PIN	FUNCTION	COLOR
 <p>WD1456A26 (PLUG SIDE)</p>	1	V(S) U (R)	RED BLACK △02
	2	GROUND (PE)	YELLOW/GREEN
	3	U(R) W (T)	BLACK BLUE △02
	4	W(T) V (S)	BLUE RED
	A	+U _s /DSL+/PTC	GRAY
	B	BRAKE GND/DSL-/PTC	RED GREEN △02
	C	BRAKE	BLUE RED
	D	GND/DSL-/PTC BRAKE	GREEN BLUE △02

REV. DESC: ENGINEERING CHANGE

REV: C VERSION: 03 REVISED: 03:56:22 03/04/2024 TDR: 000001227267

CD2167A02

MODEL NO. CD2167A02

REF: -

BY: CNCONIE Material: -

BALDOR

CONNECTION DIAGRAM, POWER & DSL

CD2167A02