

BALDOR • RELIANCE

Customer information packet

HBEM4102T

54M 6P TEFC HOR 286T

Class - None

Division - Not Applicable

Specifications

Enclosure	TEFC
Frame	286T
Frame Material	Iron
Frequency	60.00 Hz
Haz Area Class and Group	None
Haz Area Division	Not Applicable
Motor Letter Type	Three Phase
Output @ Frequency	20.000 HP @ 60 HZ
Phase	3
Synchronous Speed @ Frequency	1200 RPM @ 60 HZ
Voltage @ Frequency	460.0 V @ 60 HZ 230.0 V @ 60 HZ
Agency Approvals	CURUSEEV NEMA PREMIUM WEEE
Ambient Temperature	40 °C
Auxillary Box	No Auxillary Box
Auxillary Box Lead Termination	None
Base Indicator	Rigid
Bearing Grease Type	Polyrex EM (-20F +300F)
Blower	None
Current @ Voltage	54.000 A @ 230.0 V 56.000 A @ 208.0 V 27.000 A @ 460.0 V
Design Code	A
Drip Cover	No Drip Cover
Duty Rating	CONT
Efficiency @ 100% Load	91.7 %
Electrically Isolated Bearing	Electrically Isolated Bearings
Feedback Device	NO FEEDBACK
Front Shaft Indicator	None
Heater Indicator	No Heater

Part detail

Revision	E
Type	AC
Mech. spec.	10T007
Base	
Status	PRD/A
Elec. spec.	10WGY730
Layout	10LYT007
Eff. date	08-03-2023
CD Diagram	CD0180
Poles	06
Leads	9#10
Proprietary	False
Created date	01-05-2022

High Voltage Full Load Amps	27.0 a
Insulation Class	H
Inverter Code	Inverter Ready
KVA Code	H
Lifting Lugs	Standard Lifting Lugs
Locked Bearing Indicator	Locked Bearing
Max Speed	1800 rpm
Motor Lead Quantity/Wire Size	9 @ 10 AWG
Motor Lead Termination	Flying Leads
Motor Standards	NEMA
Motor Type	1054M
Mounting Arrangement	F1
Number of Poles	6
Overall Length	27.63 IN
Power Factor	77
Product Family	General Purpose
Pulley End Bearing Type	Sealed Bearing
Pulley Face Code	Standard
Pulley Shaft Indicator	Standard
Rodent Screen	None
RoHS Status	ROHS COMPLIANT
Service Factor	1.15
Shaft Diameter	1.875 IN
Shaft Ground Indicator	No Shaft Grounding
Shaft Rotation	Reversible
Shaft Slinger Indicator	Shaft Slinger
Speed	1180 rpm
Speed Code	Single Speed
Starting Method	Direct on line
Thermal Device - Bearing	None
Thermal Device - Winding	None
Vibration Sensor Indicator	No Vibration Sensor
Winding Thermal 1	None
Winding Thermal 2	None

AC Induction Motor Performance Data

Record # 53030

Typical performance - not guaranteed values

Winding: 10WGY730-R018		Type: 1054M	Enclosure: TEFC		
Nameplate Data			460 V, 60 Hz: High Voltage Connection		
Rated Output (HP)	20	Full Load Torque	90.1 LB-FT		
Volts	230/460	Start Configuration	direct on line		
Full Load Amps	54/27	Breakdown Torque	276 LB-FT		
R.P.M.	1180	Pull-up Torque	115 LB-FT		
Hz	60 Phase	3	Locked-rotor Torque	166 LB-FT	
NEMA Design Code	A	KVA Code	H	Starting Current	165 A
Service Factor (S.F.)	1.15	No-load Current	13.1 A		
NEMA Nom. Eff.	91.7	Power Factor	77	Line-line Res. @ 25°C	0.425 Ω
Rating - Duty	40C	AMB-CONT	Temp. Rise @ Rated Load	65°C	
S.F. Amps			Temp. Rise @ S.F. Load	79°C	
			Locked-rotor Power Factor	32	
			Rotor inertia	6.61 LB-FT ²	

Load Characteristics 460 V, 60 Hz, 20 HP

% of Rated Load	25	50	75	100	125	150	S.F.
Power Factor	39	60	71	77	79	80	78
Efficiency	86.6	91.1	91.9	91.7	90.9	89.8	91.2
Speed	1194.6	1189.5	1184.1	1178.3	1171.4	1163.8	1174
Line amperes	14.3	17.5	21.9	26.9	32.7	39.3	30.4

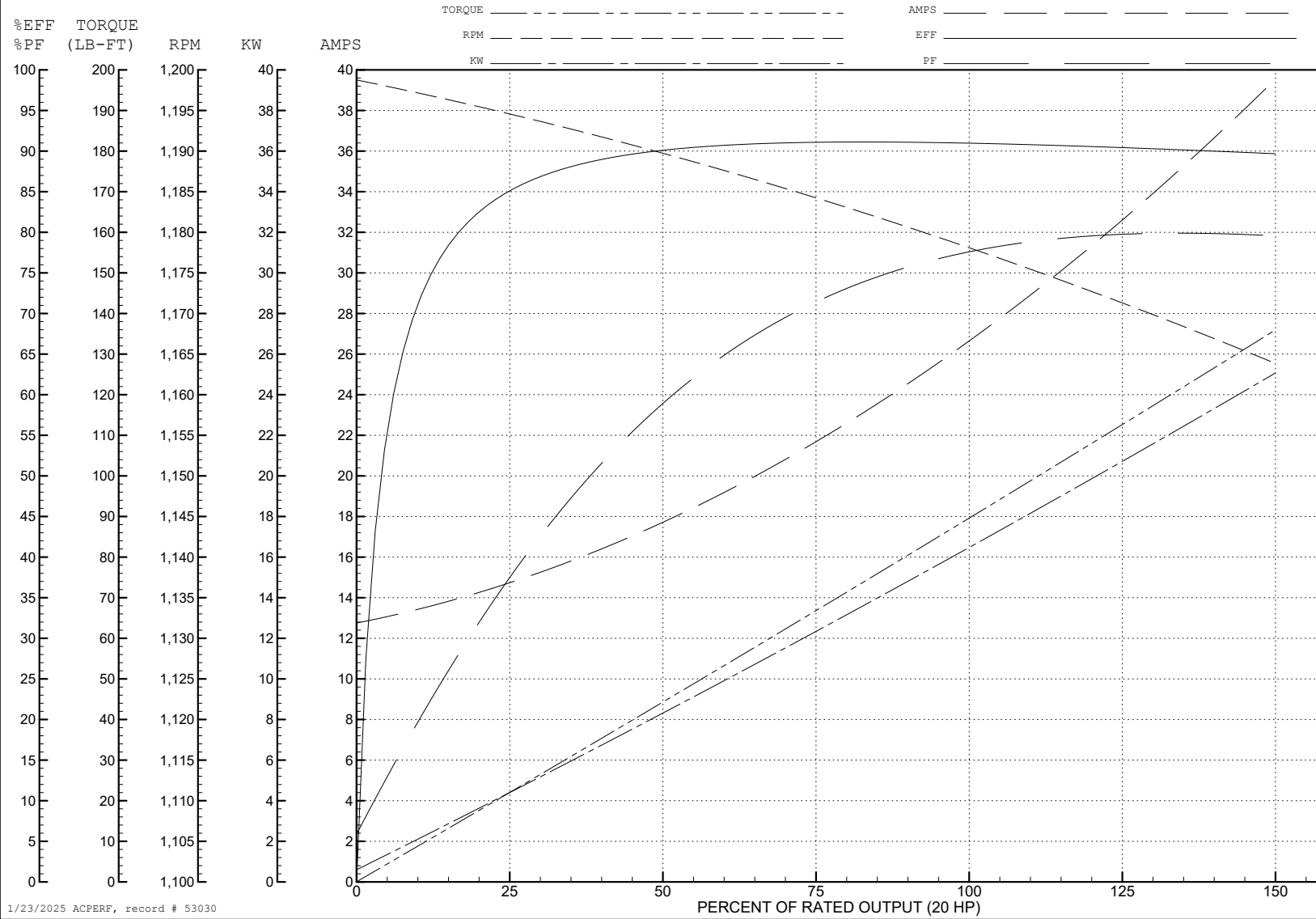
ABB Motors and Mechanical Inc.

WINDING # 10WGY730

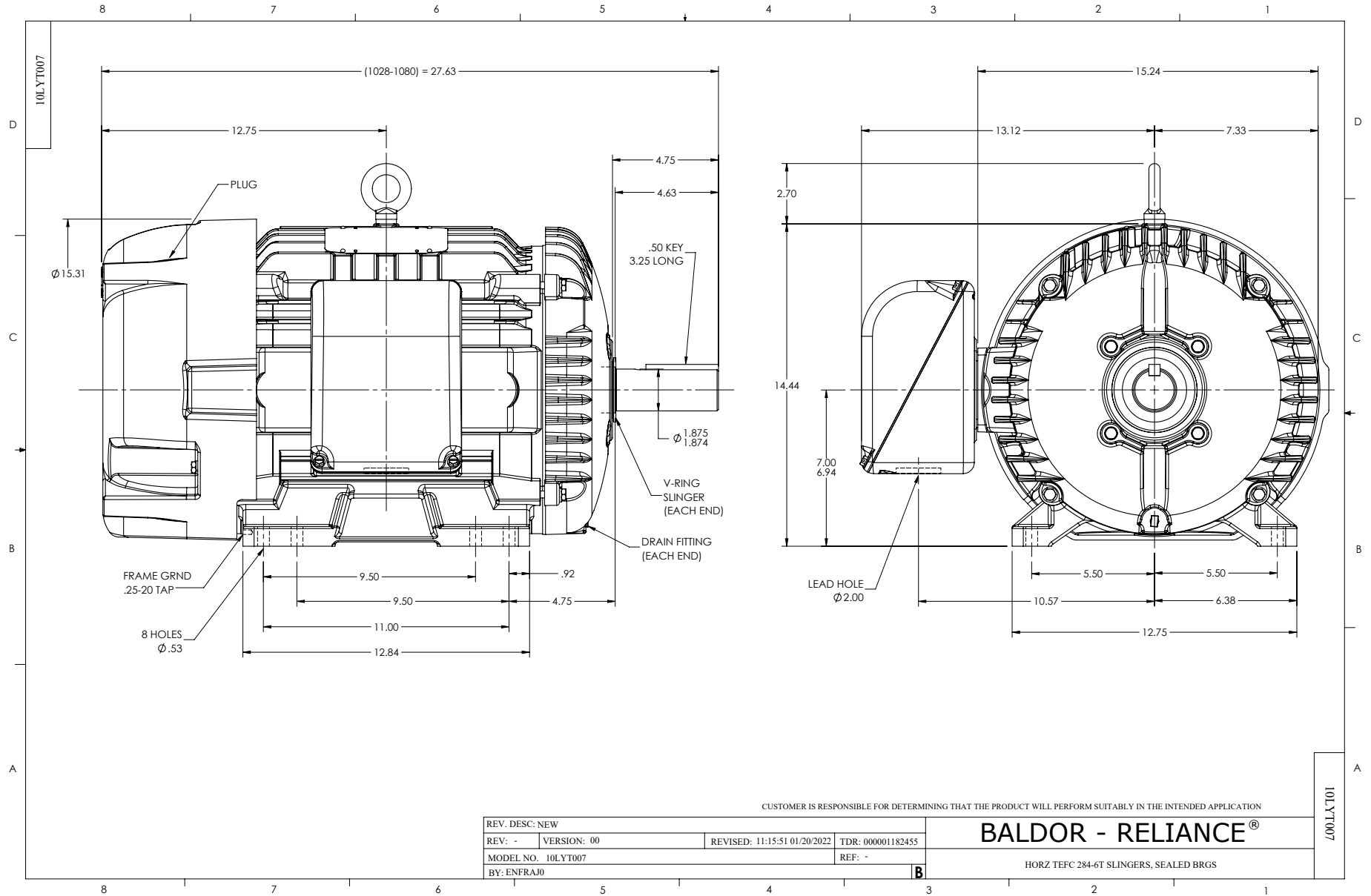
Typical performance - not guaranteed values.

20 HP 3 PH 60 HZ 1180 RPM 460 V 1054M

TORQUES (LB-FT): PO=276 PU=115 LR=166 LRA=165



1/23/2025 ACPERF, record # 53030



CUSTOMER IS RESPONSIBLE FOR DETERMINING THAT THE PRODUCT WILL PERFORM SUITABLY IN THE INTENDED APPLICATION

REV. DESC: NEW	VERSION: 00	REVISED: 11:15:51 01/20/2022	TDR: 000001182455
MODEL NO. 10LYT007	BY: ENFRAJ0	REF: -	

BALDOR - RELIANCE®

HORZ TEFC 284-6T SLINGERS, SEALED BRGS

CD0180



LOW VOLTAGE
(2D)



HIGH VOLTAGE
(1D)



NOTES:

1. INTERCHANGE ANY TWO LINE LEADS TO REVERSE ROTATION.
2. OPTIONAL THERMOSTATS ARE PROVIDED WHEN SPECIFIED.
3. ACTUAL NUMBER OF INTERNAL PARALLEL CIRCUITS MAY BE A MULTIPLE OF THOSE SHOWN ABOVE.
4. LEAD COLORS ARE OPTIONAL. LEADS MUST ALWAYS BE NUMBERED AS SHOWN.

CD0180

REV. DESC: ADD CLASS CONN00000007		
REV. LTR: D	VERSION: 01	TDR: 000001099922
FILE: \AAA\00005\148	REVISED: 10: 25: 29 02/19/2019	BY: ENBRIRO
MTL: -		

BALDOR - RELIANCE®

3PH, DV, 9 LEADS, DELTA CONNECTION

SH 1 of 1