

**BALDOR • RELIANCE**

---

# Customer information packet

## HBEM2334T

60M 4P TEFC HOR 256T

Class - None

Division - Not Applicable

## Specifications

Enclosure	TEFC
Frame	256T
Frame Material	Iron
Frequency	60.00 Hz
Haz Area Class and Group	None
Haz Area Division	Not Applicable
Motor Letter Type	Three Phase
Output @ Frequency	20.000 HP @ 60 HZ
Phase	3
Synchronous Speed @ Frequency	1800 RPM @ 60 HZ
Voltage @ Frequency	460.0 V @ 60 HZ 230.0 V @ 60 HZ
Agency Approvals	CURUSEEV NEMA PREMIUM WEEE
Ambient Temperature	40 °C
Auxiliary Box	NO AUXILLARY BOX
Auxiliary Box Lead Termination	None
Base Indicator	Rigid
Bearing Grease Type	Polyrex EM (-20F +300F)
Blower	None
Current @ Voltage	48.000 A @ 230.0 V 52.000 A @ 208.0 V 24.000 A @ 460.0 V
Design Code	A
Drip Cover	No Drip Cover
Duty Rating	CONT
Efficiency @ 100% Load	93.0 %
Electrically Isolated Bearing	Electrically Isolated Bearings
Feedback Device	NO FEEDBACK
Front Shaft Indicator	None
Heater Indicator	No Heater

## Part detail

Revision	G
Type	AC
Mech. spec.	09T116
Base	
Status	PRD/A
Elec. spec.	09WGT459
Layout	09LYT116
Eff. date	03-21-2025
CD Diagram	CD0180
Poles	04
Leads	9#16
Proprietary	False
Created date	01-05-2022

High Voltage Full Load Amps	24.0 a
Insulation Class	H
Inverter Code	Inverter Ready
KVA Code	J
Lifting Lugs	Standard Lifting Lugs
Locked Bearing Indicator	Locked Bearing
Max Speed	2700 rpm
Motor Lead Quantity/Wire Size	9 @ 10 AWG
Motor Lead Termination	Flying Leads
Motor Standards	NEMA
Motor Type	0960M
Mounting Arrangement	F1
Number of Poles	4
Overall Length	23.36 IN
Power Factor	83
Product Family	General Purpose
Pulley End Bearing Type	Sealed Bearing
Pulley Face Code	Standard
Pulley Shaft Indicator	Standard
Rodent Screen	None
RoHS Status	ROHS COMPLIANT
Service Factor	1.15
Shaft Diameter	1.625 IN
Shaft Ground Indicator	No Shaft Grounding
Shaft Rotation	Reversible
Shaft Slinger Indicator	Shaft Slinger
Speed	1770 rpm
Speed Code	Single Speed
Starting Method	Direct on line
Thermal Device - Bearing	None
Thermal Device - Winding	None
Vibration Sensor Indicator	No Vibration Sensor
Winding Thermal 1	None
Winding Thermal 2	None

**Nameplate**

**NP4312A05A01L**

<b>CAT #</b>	HBEM2334T		<b>SER</b>			<b>CC</b>	010A	<b>WGT</b>	322	<b>LBS</b>				
<b>SPEC</b>	09T116T459G1		<b>RATING</b>	40C AMB-CONT										
<b>HZ</b>	<b>VOLTS</b>		<b>AMPS</b>	<b>RPM</b>	<b>HP</b>	<b>SF</b>	<b>NEMA NOM EFF</b>							
60	230/460		48/24			1770	20HP	1.15	93					
<b>PH</b>	3	<b>CL</b>	H	<b>CODE</b>	J	<b>DES</b>	A	<b>ENCL</b>	TEFC	<b>IP</b>	54	<b>PF</b>	83	%
<b>DE BRG</b>	6309		<b>ODE BRG</b>	6208			<b>FRAME</b>	256T						
<b>INV TYPE:</b>	<b>VPWM</b>	<b>SL HZ</b>	1	<b>CHP</b>	60	<b>TO</b>	90	1.5:1						
<b>WK2</b>	2.62	<b>LB FT2</b>	<b>MAX RPM</b>	2700	<b>CT</b>	6	<b>TO</b>	60	10:1					
	20.8/10.4		<b>VT</b>	3	<b>TO</b>	60	20:1							
SFA 54.4/27.2														

**YR**

**AC Induction Motor Performance Data**

Record # 68093

Typical performance - not guaranteed values

Winding: 09WGT459-R013		Type: 0960M	Enclosure: TEFC	
<b>Nameplate Data</b>			<b>460 V, 60 Hz: High Voltage Connection</b>	
Rated Output (HP)	20	Full Load Torque	59.27 LB-FT	
Volts	230/460	Start Configuration	direct on line	
Full Load Amps	48/24	Breakdown Torque	232 LB-FT	
R.P.M.	1770	Pull-up Torque	126 LB-FT	
Hz	60 Phase	3	Locked-rotor Torque	141 LB-FT
NEMA Design Code	A KVA Code	J	Starting Current	198 A
Service Factor (S.F.)	1.15	No-load Current	10.4 A	
NEMA Nom. Eff.	93 Power Factor	83	Line-line Res. @ 25°C	0.33814 Ω
Rating - Duty	40C AMB-CONT	Temp. Rise @ Rated Load	58°C	
S.F. Amps		Temp. Rise @ S.F. Load	70°C	
		Locked-rotor Power Factor	26.5	

**Load Characteristics 460 V, 60 Hz, 20 HP**

% of Rated Load	25	50	75	100	125	150	S.F.
Power Factor	45	67	78	83	86	87	85
Efficiency	89.2	93	93.7	93.6	93.1	92.4	93.3
Speed	1793.2	1786.4	1779.1	1771.9	1763.7	1755.3	1767
Line amperes	11.8	15	19.2	24	29.3	34.9	27.2

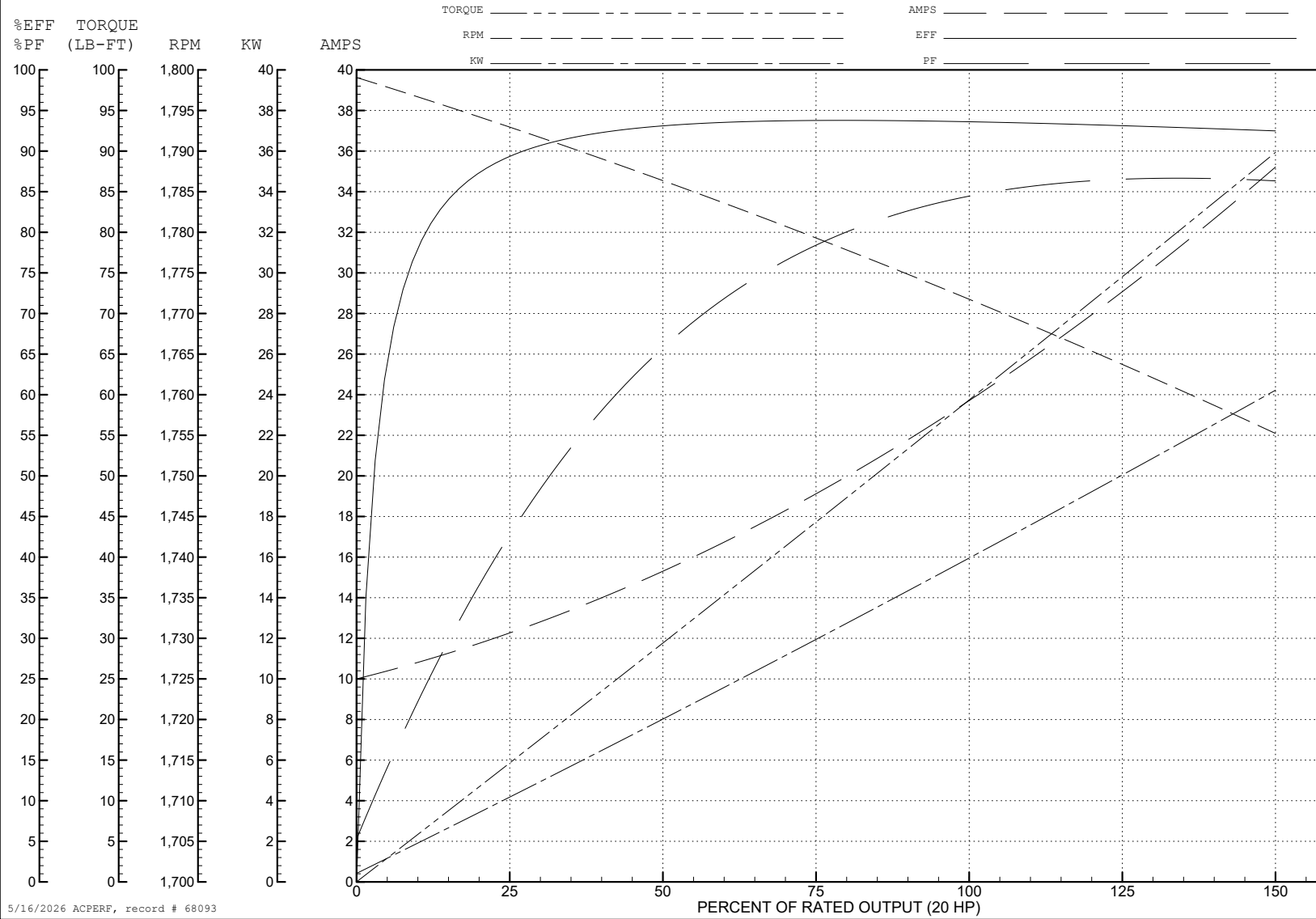
ABB Motors and Mechanical Inc.

WINDING # 09WGT459

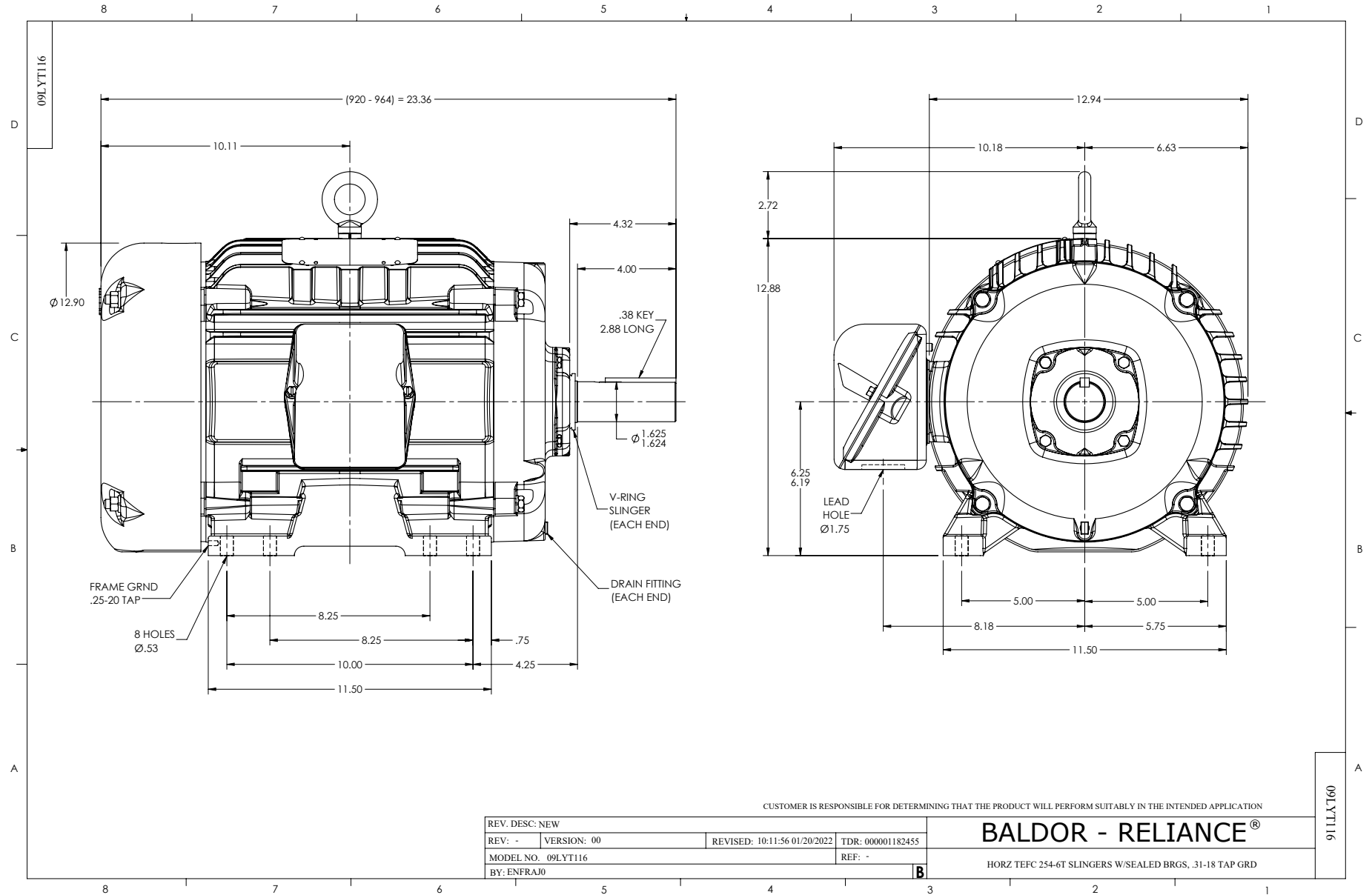
20 HP 3 PH 60 HZ 1770 RPM 460 V 0960M

Typical performance - not guaranteed values.

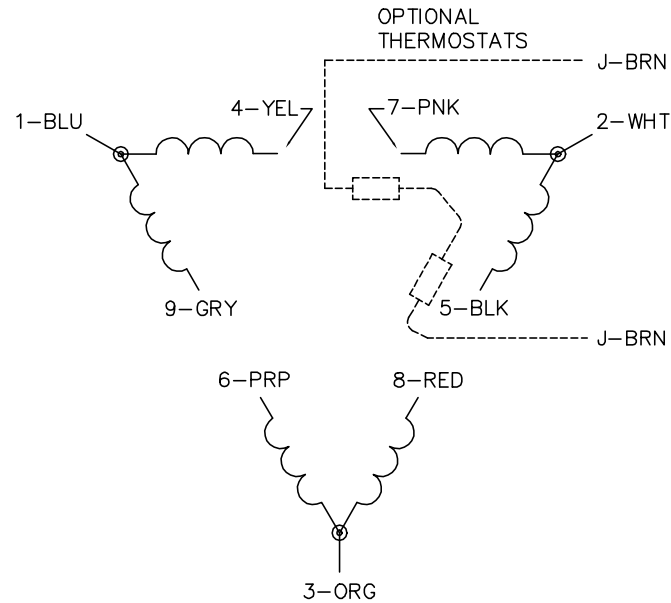
TORQUES (LB-FT): PO=232 PU=126 LR=141 LRA=198



5/16/2026 ACPERF, record # 68093



CD0180



LOW VOLTAGE  
(2D)



HIGH VOLTAGE  
(1D)



NOTES:

1. INTERCHANGE ANY TWO LINE LEADS TO REVERSE ROTATION.
2. OPTIONAL THERMOSTATS ARE PROVIDED WHEN SPECIFIED.
3. ACTUAL NUMBER OF INTERNAL PARALLEL CIRCUITS MAY BE A MULTIPLE OF THOSE SHOWN ABOVE.
4. LEAD COLORS ARE OPTIONAL. LEADS MUST ALWAYS BE NUMBERED AS SHOWN.

CD0180

REV. DESC: ADD CLASS CONN00000007		
REV. LTR: D	VERSION: 01	TDR: 000001099922
FILE: \AAA\00005\148	REVISED: 10: 25: 29 02/19/2019	BY: ENBRIRO
MTL: -	© □	

**BALDOR - RELIANCE®**

3PH, DV, 9 LEADS, DELTA CONNECTION

SH 1 of 1