

**BALDOR® • RELIANCE®**

---

# Customer information packet

## HBAO3587T

2 AOHP, -RPM, 3PH, 60HZ, 145T, 0532M, TEAO, F1

Class - None

Division - Not Applicable

## Specifications

Enclosure	TEAO
Frame	145T
Frame Material	Iron
Frequency	60.00 Hz
Haz Area Class and Group	None
Haz Area Division	Not Applicable
Motor Letter Type	Three Phase
Output @ Frequency	2.000 HP @ 60 HZ
Phase	3
Synchronous Speed @ Frequency	1800 RPM @ 60 HZ
Voltage @ Frequency	460.0 V @ 60 HZ 230.0 V @ 60 HZ
Agency Approvals	CSA CURUSEEV NEMA PREMIUM UR WEEE
Ambient Temperature	40 °C
Auxillary Box	No Auxillary Box
Auxillary Box Lead Termination	None
Base Indicator	Rigid
Bearing Grease Type	Polyrex EM (-20F +300F)
Blower	None
Current @ Voltage	5.700 A @ 208.0 V 5.400 A @ 230.0 V 2.700 A @ 460.0 V
Design Code	B
Drip Cover	No Drip Cover
Duty Rating	CONT
Efficiency @ 100% Load	86.5 %
Electrically Isolated Bearing	Electrically Isolated Bearings
Feedback Device	NO FEEDBACK

## Part detail

Revision	J
Type	AC
Mech. spec.	05H189
Base	
Status	PRD/A
Elec. spec.	05WGW649
Layout	05LYH189
Eff. date	10-09-2023
CD Diagram	CD0005
Poles	04
Leads	9#18
Proprietary	False
Created date	09-21-2021

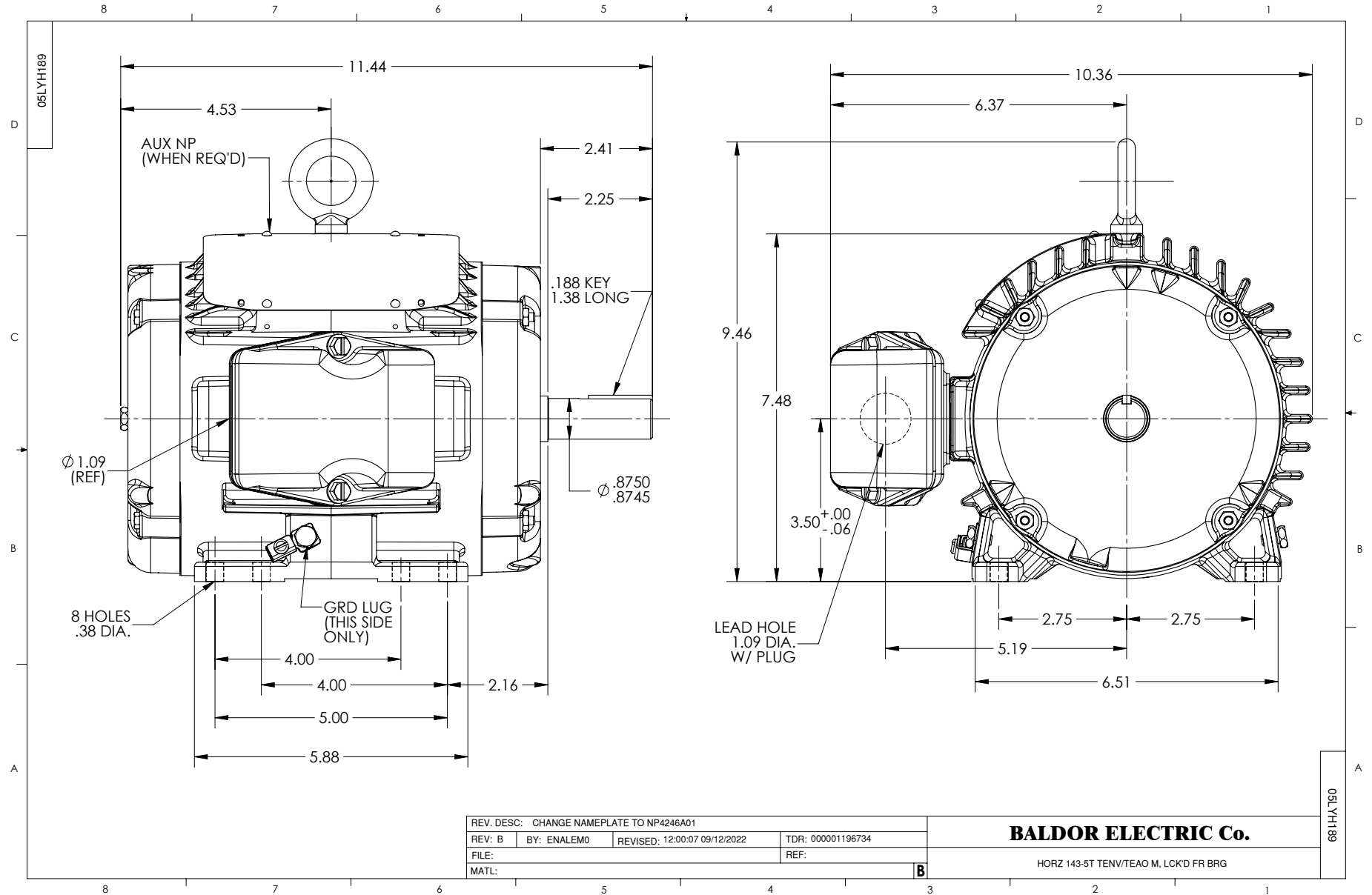
Front Shaft Indicator	None
Heater Indicator	No Heater
High Voltage Full Load Amps	2.7 a
Insulation Class	F
Inverter Code	Inverter Ready
KVA Code	J
Lifting Lugs	Standard Lifting Lugs
Locked Bearing Indicator	Locked Bearing
Max Speed	2700 rpm
Motor Lead Quantity/Wire Size	9 @ 18 AWG
Motor Lead Termination	Flying Leads
Motor Standards	NEMA
Motor Type	0532M
Mounting Arrangement	F1
Number of Poles	4
Overall Length	11.44 IN
Power Factor	82
Product Family	General Purpose
Pulley End Bearing Type	Sealed Bearing
Pulley Face Code	Standard
Pulley Shaft Indicator	Standard
Rodent Screen	None
RoHS Status	ROHS COMPLIANT
Service Factor	1.15
Shaft Diameter	0.875 IN
Shaft Ground Indicator	No Shaft Grounding
Shaft Rotation	Reversible
Shaft Slinger Indicator	No Slinger
Speed	1725 rpm
Speed Code	Single Speed
Starting Method	Direct on line
Thermal Device - Bearing	None
Thermal Device - Winding	None
Vibration Sensor Indicator	No Vibration Sensor

Winding Thermal 1	None
Winding Thermal 2	None

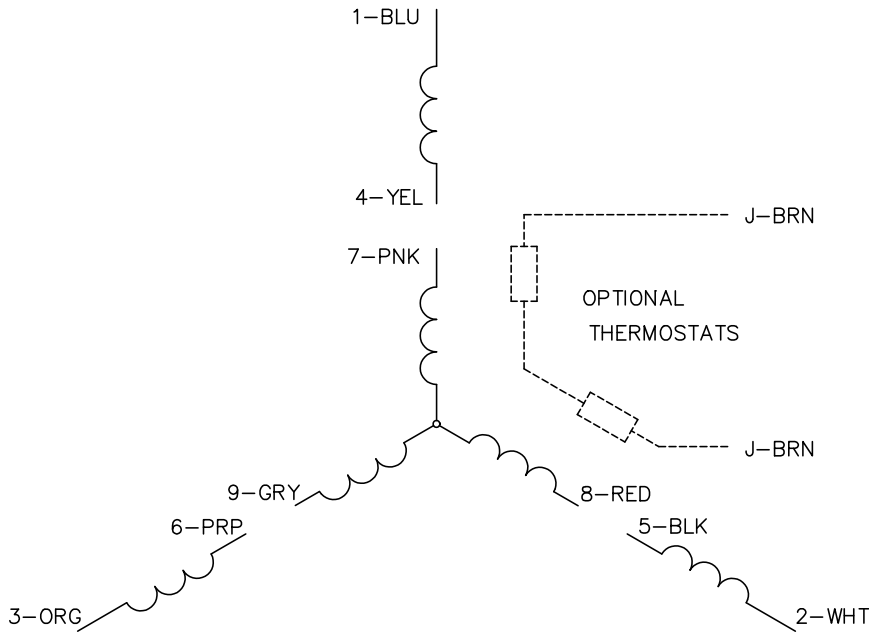
**Nameplate**

**NP4312A01M05L**

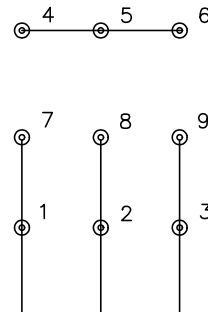
<b>CAT #</b>	HBAO3587T			<b>SER #</b>		<b>CC</b>		<b>WGT</b>	64	<b>LBS</b>		
<b>SPEC</b>	05H189W649G2			<b>RATING</b>	40C AMB-CONT							
<b>HP</b>	<b>VOLTS</b>		<b>AMPS</b>		<b>MAG CUR</b>		<b>CODE</b>	<b>RPM</b>	<b>DES</b>	<b>PF</b>	<b>NEMA NOM. EFF</b>	
2 AO	230/460		5.6/2.8		3.4/1.7		J	1760	B	82	86.5	
2.5 AO	230/460		6.8/3.4		3.3/1.15		J	1750	-	81	85.5	
<b>PH</b>	3	<b>CL</b>	H	<b>HZ</b>	60	<b>ENCL</b>	TEAO	<b>IP</b>	54	<b>SF</b>	1.15	AIR OVER
<b>DE BRG</b>	6205		<b>ODE BRG</b>	6203		<b>FRAME</b>	145T					
<b>INV TYPE:</b>		<b>VPWM</b>		<b>SL HZ</b>	1.3	<b>CHP</b>	60	<b>TO</b>	90	1.5:1		
<b>WK2</b>	0.189		<b>LB FT2</b>		<b>MAX RPM</b>	2700	<b>CT</b>	6	<b>TO</b>	60	10:1	
				<b>VT</b>	3	<b>TO</b>	60	20:1				
SFA 6/3												
<b>YR:</b>												



CD0005

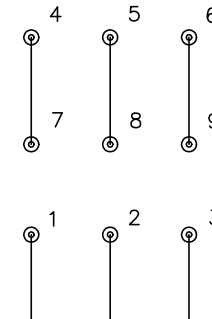


LOW VOLTAGE  
(2Y)



LINE

HIGH VOLTAGE  
(1Y)



LINE

NOTES:

1. INTERCHANGE ANY TWO LINE LEADS TO REVERSE ROTATION.
2. OPTIONAL THERMOSTATS ARE PROVIDED WHEN SPECIFIED.
3. ACTUAL NUMBER OF INTERNAL PARALLEL CIRCUITS MAY BE A MULTIPLE OF THOSE SHOWN ABOVE.
4. LEAD COLORS ARE OPTIONAL. LEADS MUST ALWAYS BE NUMBERED AS SHOWN.

CD0005

REV. DESC: REVISE TO SHOW OPTIONAL COLORS			
REV. LTR: E	BY: JLP	REVISED: 01/19/99 10:15	TDR: 0171435
S00000		FILE: AAA00005140	MDL: -
		MTL: -	

**BALDOR ELECTRIC Co.**

3PH, DV, 9 LEADS